

IMPORTANT SAFETY INFORMATION!

WARNING

When using electrical appliances basic precautions should always be followed to reduce the risk of fire, electric shock and injury to persons, including the following:

- Read all instructions before using this heater.
- This heater is hot when in use. To avoid burning, do not touch hot surface. If provided, use handles when moving this heater. Keep combustible materials, such as furniture, pillows, bedding, papers, clothes, and curtains at least 1 m from the front of the heater and keep them away from the sides and rear. In order to avoid overheating, do not cover the heater.
- Extreme caution is necessary when any heater is used near children or the infirm and whenever the heater is left operating and unattended.
- Always unplug heater when not in use.
- Do not operate any heater with a damaged cord or plug or after the heater malfunctions, has been dropped damaged in any manner, return heater to authorized service facility for examination, electrical or mechanical adjustment, or repair.
- Indoor use only, do not use outdoors.
- This heater is not intended for use in bathrooms, laundry areas and similar indoor locations. Never locate heater where it may fall into a bathtub or other water container.
- Do not run cord under carpeting. Do not cover cord with throw rugs, runners, or similar coverings. Arrange cord away from traffic area and where it will not be tipped over.
- To disconnect heater, turn controls to off, then remove plug from outlet.
- Do not inset or allow foreign objects to enter any ventilation or exhaust opening as this may cause an electric shock or fire, or damage the heater.
- To prevent a possible fire, do not block air intakes or exhaust in any manner. Do not use on soft surfaces, like a bed, where openings may become blocked.
- A heater has hot and arcing or sparking parts inside. Do not use it in areas where gasoline, or flammable liquids are used or stored.
- Use this heater only as describes in this manual. Any other use not recommended by the manufacturer may cause fire, electric shock, or injury to persons.
- DANGER-HIGH Temperatures may be generated under certain abnormal conditions. Do not partially or fully cover or obstruct the front of this heater.
- Replacement of the lamps should be done only while the heater is disconnected from the supply circuit.
- This appliance is not intended for use by persons (including children) with reduced physical, sensory or capabilities, or lack of experience and knowledge, unless they have been given supervision or instruction concerning use of the appliance by a person responsible for their safety. Children should be supervised to ensure that they do not play with the appliance.
- CAUTION: In order to avoid a hazard due to inadvertent resetting of the thermal cut-out, this appliance must not be supplied through an external switching device, such as a timer, or connected to a circuit that is regularly switched on and off by the utility.

Preparation

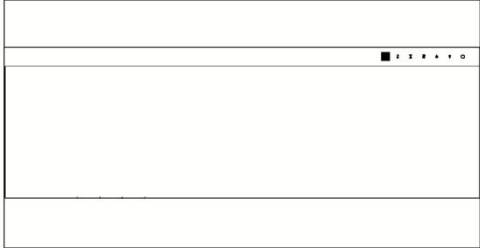


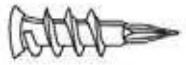
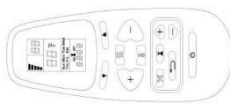
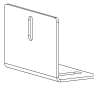
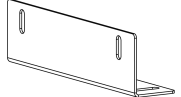

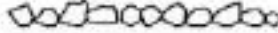




This product includes a **GLASS panel!** Always use **extreme caution** when handling **glass**. Failure to do so could result in **personal injury** or **property damage**.

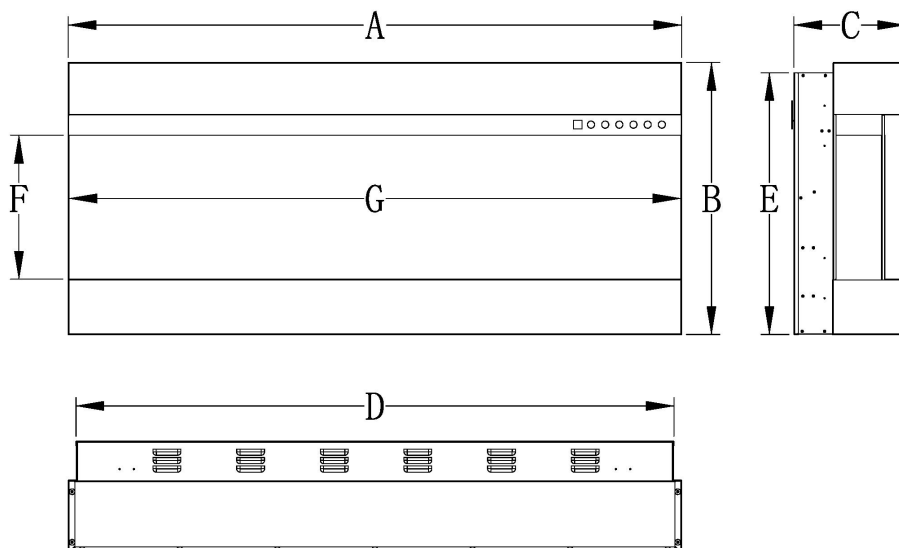
Remove all parts and hardware from the carton and place them on a clean, soft, dry surface. Parts and assembly steps are grouped for wall-hanging or recessing use. Check the parts list to make sure nothing is missing. Dispose of packaging materials properly. Please recycle whenever possible.

You will need the following tools (not included): Phillips screwdriver; stud finder; level; tape measure; electric drill; 1/4" wood drill bit, hammer.

Parts and Hardware

 <p>A – Fireplace</p>			
	<p>B – Wood Screws</p>		<p>C – Drywall anchors</p>
			
	<p>Remote Control</p>	<p>E-Metal bracket (Bottom-Short one)</p>	<p>F- Metal bracket (TOP-Longer one)</p>
			
<p>G-Wall Bracket Fixed on back of firebox</p>	<p>H-Decorative Crystals</p>	<p>I - Log set</p>	<p>J - Plastic Tray</p>

Specification and Dimension



PRODUCT DIMENSIONS							
Model Number	A	B	C	D	E	F	G
AV-WM36IMP	36.6" 93cm	19.1" 48.4cm	7.9" 20cm	35.5" 90.2cm	18.3" 46.56cm	10.1" 25.61cm	36.4" 92.57cm
AV-WM43IMP	43.3" 110.2cm	19.1" 48.4cm	7.9" 20cm	42.2" 107.22cm	18.3" 46.56cm	10.1" 25.61cm	43.1" 109.6cm
AV-WM50IMP	50" 127cm	19.1" 48.4cm	7.9" 20cm	48.9" 124.2cm	18.3" 46.56cm	10.1" 25.61cm	49.8" 126.57cm
AV-WM60IMP	60" 152.4cm	19.1" 48.4cm	7.9" 20cm	58.9" 149.6cm	18.3" 46.56cm	10.1" 25.61cm	59.8" 151.97cm
AV-WM72IMP	72" 182.8cm	19.1" 48.4cm	7.9" 20cm	70.9" 180cm	18.3" 46.56cm	10.1" 25.61cm	71.8" 182.37cm

Installation and Assembly

Your appliance is a wall-mounted, recessed and/or mantel installed appliance. Select a suitable location that is not susceptible to moisture and is away from drapes, furniture and high traffic areas.

NOTE: Follow all National and local electrical codes.

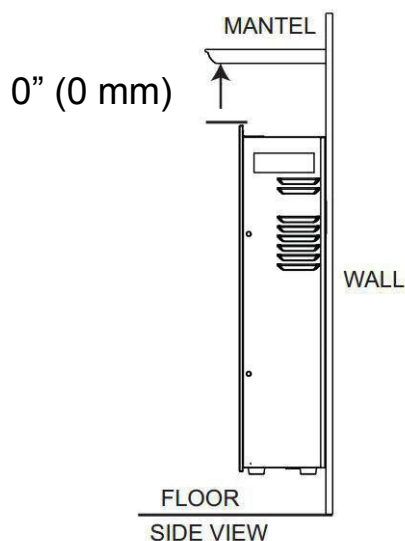
MINIMUM CLEARANCE TO COMBUSTIBLES

Measurements are taken from the glass front.			
Bottom	0"	Top	0" to mantel
Sides	0"	Top	0" to ceiling
Back	0"		

MINIMUM MANTEL CLEARANCES

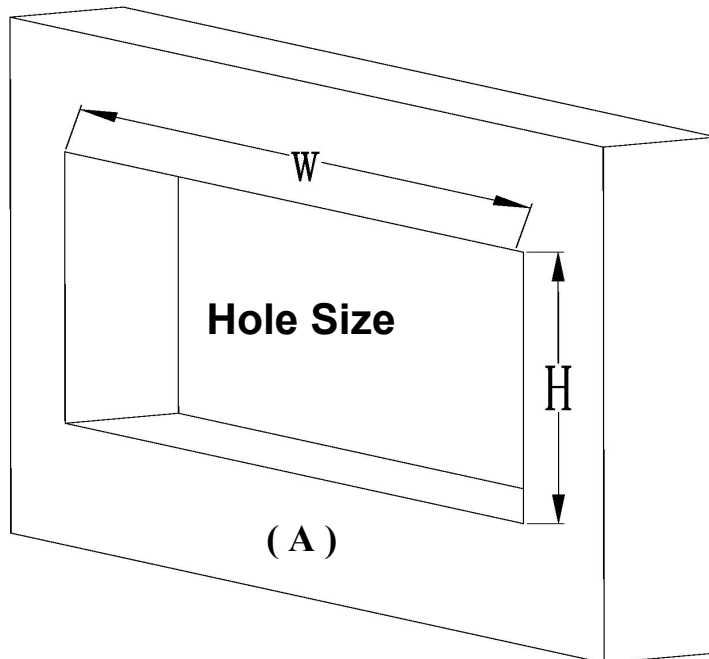
WARNING

WHEN USING PAINT OR LACQUER TO FINISH THE MANTEL, THE PAINT OR LACQUER MUST BE HEAT RESISTANT TO PREVENT DISCOLOURATION.



Recessed To Wall Installation

NOTE: Install the fireplace in such a way that, in the event of a failure, it can be removed from the wall for service purposes.

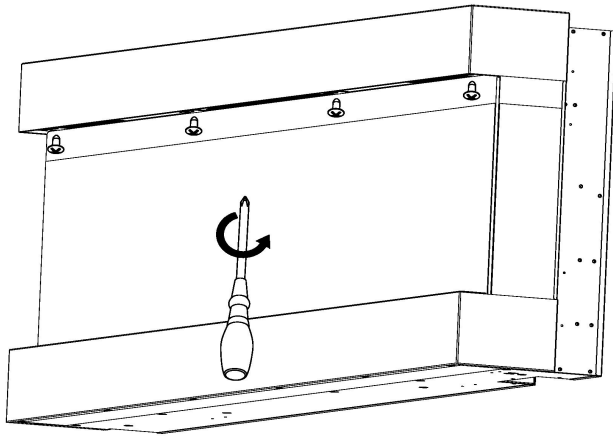


STEP A. Selection a dry wall to open a hole for fireplace box. Size of hole as below chart **Figure (A)**

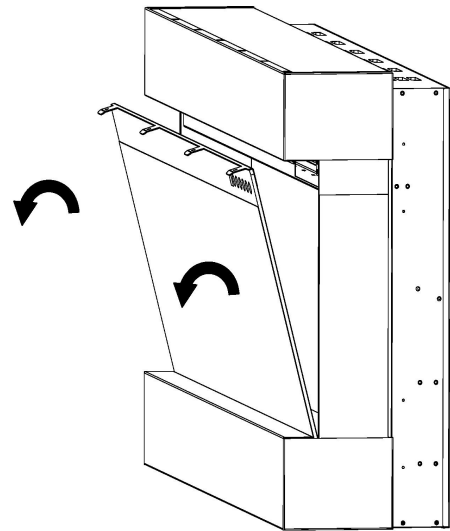
Framing Hole Size		
Model Number	W	H
AV-WM36IMP	35.9" (91.2CM)	18.84" (47.86CM)
AV-WM43IMP	42.71" (108.3CM)	18.84" (47.86CM)
AV-WM50IMP	49.29" (125.2CM)	18.84" (47.86CM)
AV-WM60IMP	59.29" (150.6CM)	18.84" (47.86CM)
AV-WM72IMP	71.25" (181CM)	18.84" (47.86CM)

STEP B. Using the screw driver to take off the screws from the front **Figure (B)**

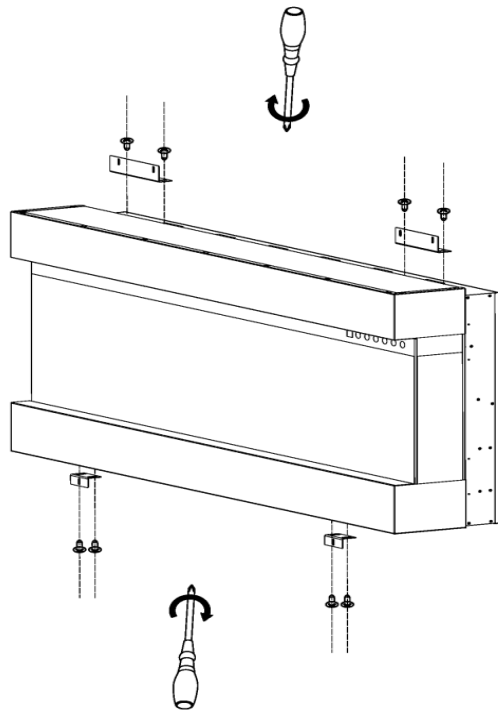
STEP C. Have two adult people to pull of the glass panel and take it out **Figure (C)**



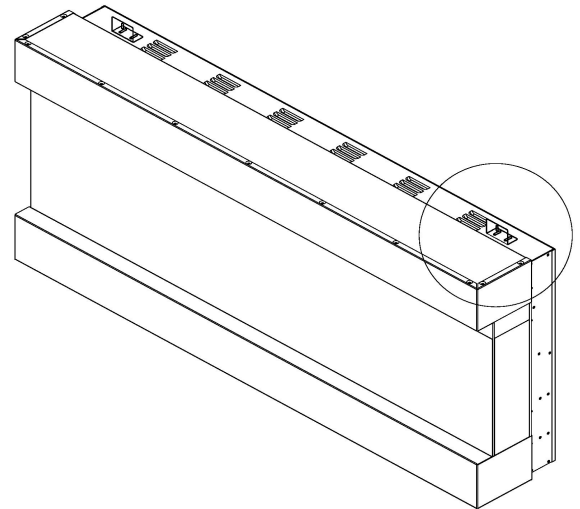
(B)



(C)



(D)

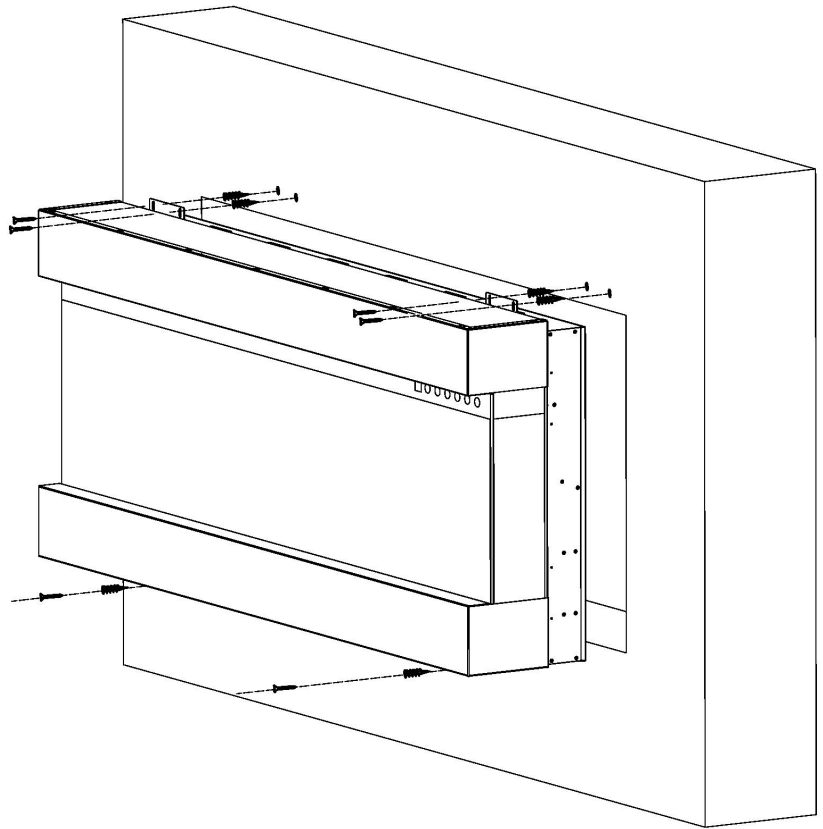


(E)

STEP D. Fix the metal brackets (E) to the **BOTTOM** and (F) to the **TOP** of the fireplace box. **Figure (D,E)**

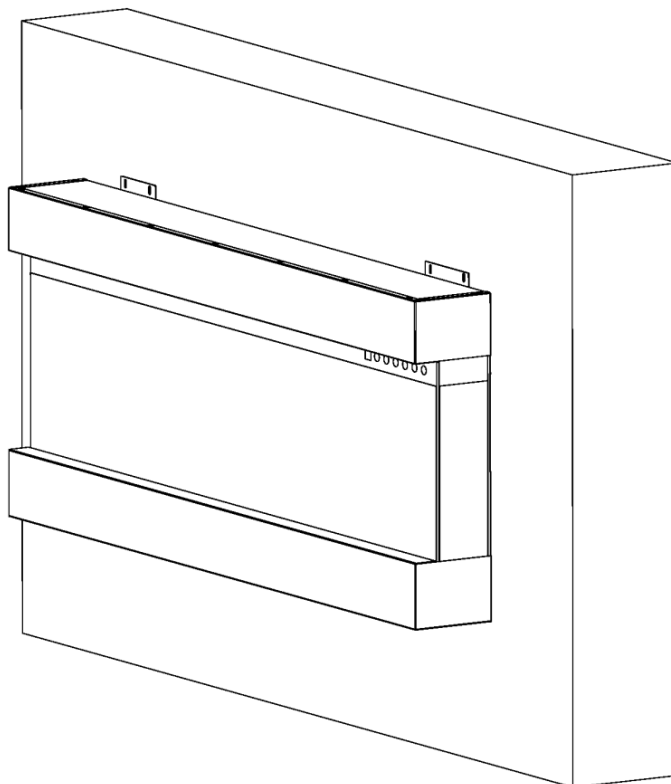
NOTE: Metal brackets can be use as movable, please adjust to the best location as need

STEP E. Have two adult people to lift of the fireplace box and put it inside of the wall opening hole. Using the screw driver to fix all wood screws and drywall anchors through the metal brackets to the wall and fixing tightly. NOTE: Making sure that all screws and drywall anchors are well screwed.



(F)

STEP F. Your Electric fireplace will be looks as below after installation



Wall Mounted Installation

Due to the many different materials used on different walls, it is highly recommended that you consult your local builder before you install this appliance on the wall.

A. Select a location that is not prone to moisture and is located at least 36" (914mm) away from combustible materials such as curtain drapes, furniture, bedding, paper, etc.

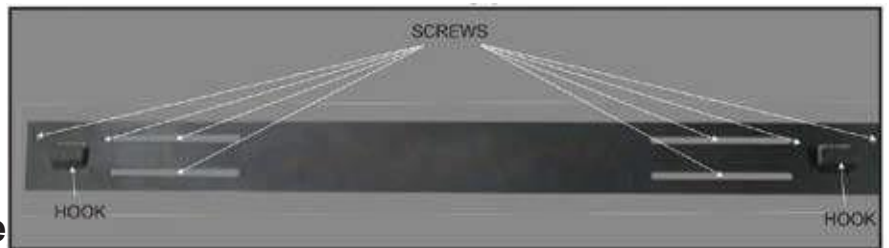
B. Have two people hold the appliance against the wall to determine the final location.

C. Place unit face down on a soft, non abrasive surface. Remove the bracket from the back of the unit by removing the screws, refer to Figure 1.

D. Mark out location, then mount the bracket(s) onto the wall using the supplied screws. This bracket

MUST have the hooks facing upward and be level. **NOTE: It is strongly**

recommended that the mounting bracket (G) be Screwed into the wall studs Where possible. If the wall Studs cannot be used, ensure

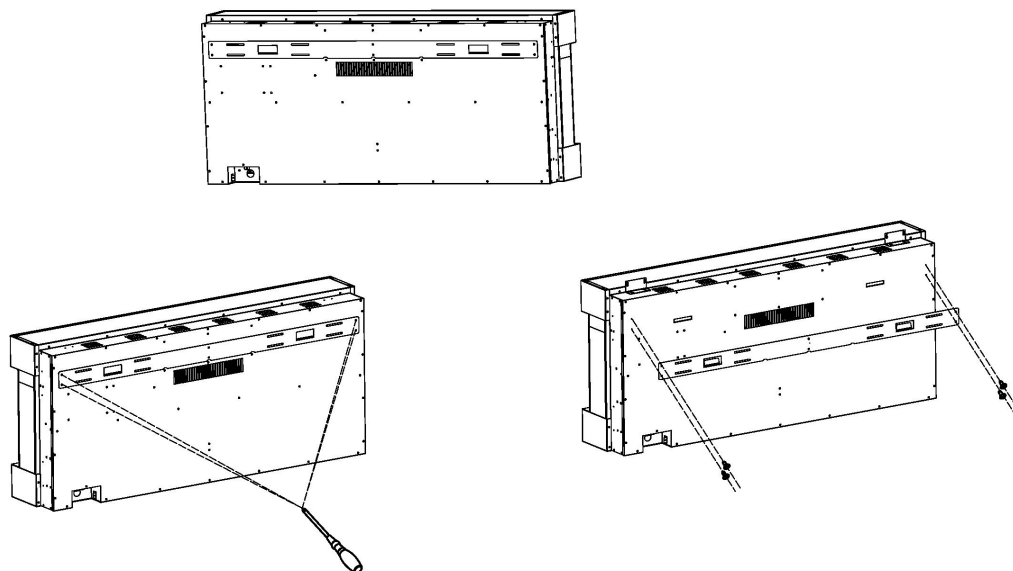


That the supplied plastic anchors are used to affix the bracket to the wall and the bracket is adequately secured.

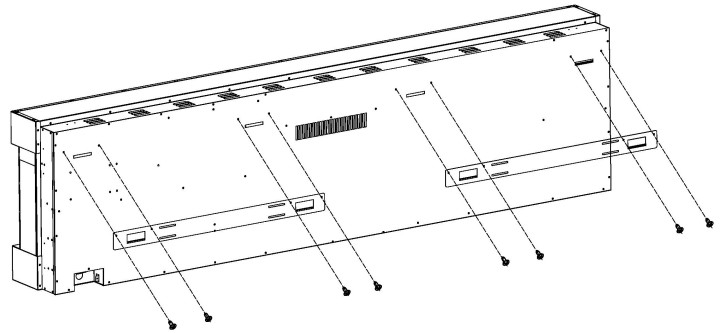
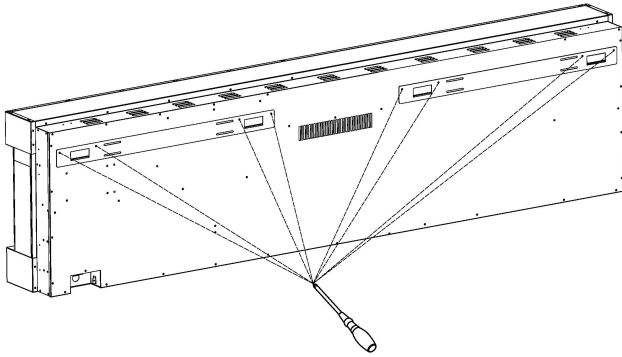
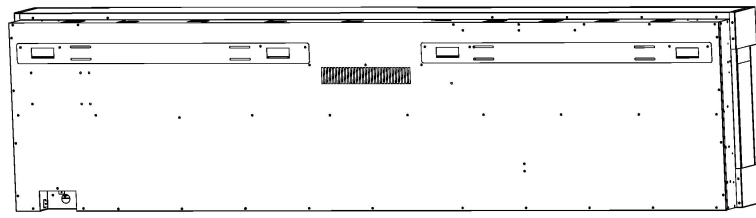
E. With the wall mounting bracket installed have two people lift the appliance up and insert the two hooks

on the bracket into the two slots on the back of the appliance.

F. Check the appliance for stability ensuring that the bracket will not pull free from the wall.

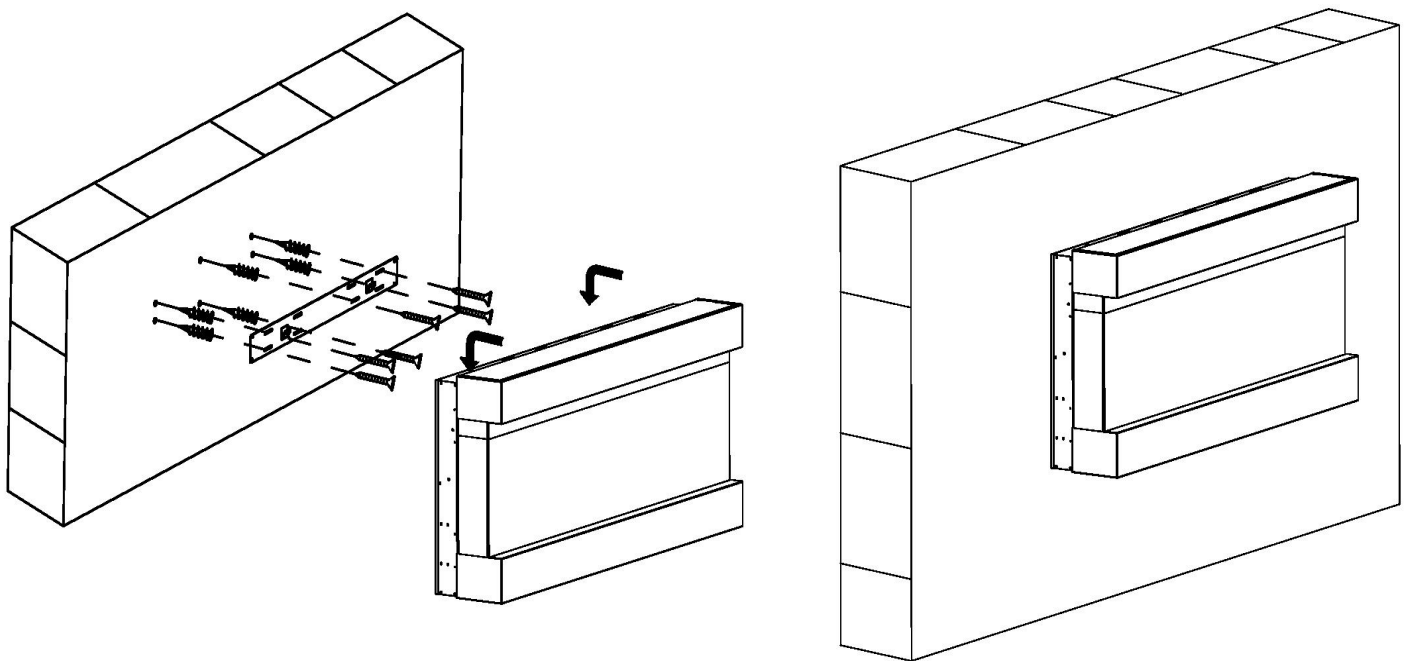


AV-WM36-50IMP Wall Bracket Illustrated



AV-WM60-72IMP Wall Bracket Illustrated

G. Your Electric fireplace will be looks as below after installation



Log-set / Crystal Ember Installation

(NOTE: Please make the installation according to the embers which you bought or selected.)

- A. Glass front must be removed and the appliance must be mounted in its final location before the log-set / crystal / embers are installed.
- B. If your fireplace come with log-set, take the log-set out of the package and put it to the fireplace media slot . **Figure 1.**
- C. To switch to Crystals, firstly take the Log-set out of the fireplace slot, then Place the plastic tray (J) to the fireplace designed place. Then carefully place crystal embers into the plastic tray as illustrated. Apply an even layer from side to side. **Figure 2, Figure 3.**

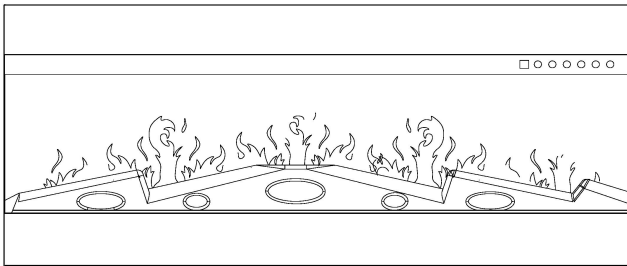


Figure 1

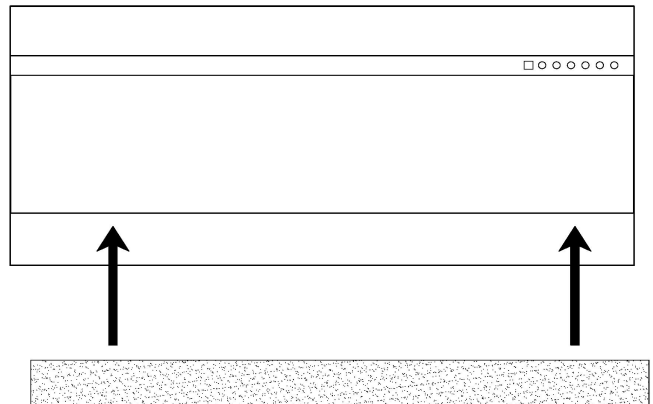


Figure 2



Figure 3. (Crystal medias)

Operation



Read and understand this entire owner's manual, including **all safety information**, before **plugging in** or **using** this product. Failure to do so could result in **electric shock, fire, serious injury, or death.**

Power

Plug the power cord into a AC 220-240 Volt outlet (see **IMPORTANT SAFETY INFORMATION** on **Pages 2 and 3**). Make sure the outlet is in good condition and that the plug is not loose. **NEVER** exceed the maximum amperage for the circuit. **DO NOT** plug other appliances into the same circuit.

Methods of Operation




This electric fireplace can be operated by the CONTROL PANEL/TOUCH PANEL, or by the battery-powered REMOTE CONTROL.

The operation and functions of the two methods are the same.

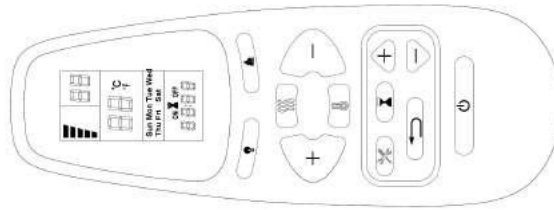
Before operating, please review the **IMPORTANT SAFETY INFORMATION** on **Pages 2 and 3**, and heed all warnings.




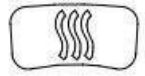
Control Panel / Remote Control Operation

BUTTON	FUNCTION	ACTION & INDICATION
 POWER	ON: Enables control panel functions and remote control. Turns on flame effect. OFF: Disables control panel functions and remote control. Turns off flame effect.	<ol style="list-style-type: none"> Press once. Indicator light turns on. Power turns on. All functions enabled. Press again. Flame effect turns off. Power and all functions turn off.
 TIMER	TIMER button: Controls timer settings to turn off fireplace at selected time. Settings range from 0.5 hours to 8 hours.	<ol style="list-style-type: none"> Press once. Indicator light turns on. Timer is set to 0.5 hours. Press again until desired setting is reached. Display window shows setting.
 FLAME	FLAME button: Makes flame effect dimmer and brighter. NOTE: Flame effect stays on until power button is turned off. Flame effect must be on for heater to turn on.	<ol style="list-style-type: none"> Press once. Indicator light turns on. Flame brightness effect gets changing. Press again. until desired setting is reached.


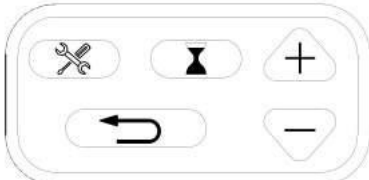



 <p>COLOR</p>	<p>COLOR button: Makes the color flame effect changing.</p> <p>NOTE: color effect stays on until power button is turned off. Color flame effect must be on for heater to turn on.</p>	<ol style="list-style-type: none"> Press once. Indicator light turns on. Flame color effect gets changing. Press again until desired setting is reached. Display window shows setting.
 <p>HEATER</p>	<p>HEATER button: Turns heater on and off.</p> <p>NOTE: The heater only works when the flame effect is on. If the flame effect is off, the heater will not turn on.</p> <p>NOTE: To prevent overheating, the heater blows cool air for 10 seconds before the heater turns on, and after it turns off.</p>	<ol style="list-style-type: none"> Press once. Indicator lights up. Fan blows cool air for 10 seconds. Low heater turns on and blows warm air. Press again. Indicator lights up. High heater turns on and blows hot air. Press again. Heaters turn off. The fan blows cool air, then turns off.
	<p>LED Ember light button (1): Makes the color on bottom effect changing.</p> <p>NOTE: Ember color effect stays on until power button is turned off.</p>	<ol style="list-style-type: none"> Press once. Ember color effect gets changing. Press again. until desired setting is reached, in total 10 colors recycling. <p>Note: When you press the button with 11th time, the ember light will doing auto cycle.</p>

Remote Control Operation

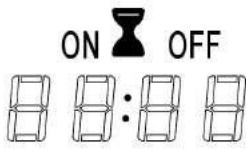



BUTTON	FUNCTION	ACTION & INDICATION
 POWER	ON: Enables control panel functions and remote control. Turns on flame effect. OFF: Disables control panel functions and remote control. Turns off flame effect.	1. Press once. Indicator light turns on. Power turns on. All functions enabled. 2. Press again. Flame effect turns off. Power and all functions turn off.
 	COLOR button: Makes the color flame effect changing. NOTE: color effect stays on until power button is turned off. Color flame effect must be on for heater to turn on.	3. Press once. Indicator light turns on. Flame color effect gets changing. 4. Press again until desired setting is reached. Display window shows setting.
 	FLAME button: Makes flame effect dimmer and brighter. NOTE: Flame effect stays on until power button is turned off. Flame effect must be on for heater to turn on.	1. Press once. Indicator light turns on. Flame brightness effect gets changing. 2. Press again. until desired setting is reached.
 HEATER	HEATER button: Turns heater on and off. NOTE: The heater only works when the flame effect is on. If the flame effect is off, the heater will not turn on. NOTE: To prevent overheating, the heater blows cool air for 10 seconds before the heater turns on, and after it turns off.	1. Press once. Indicator lights up. Fan blows cool air for 10 seconds. Low heater turns on and blows warm air. 2. Press again. Indicator lights up. High heater turns on and blows hot air. 3. Press again. Heaters turn off. The fan blows cool air, then turns off.

TIMER SETTINGS ON REMOTE CONTROL








 : Timer: Displays current day, time, and week. Press to enter or confirm timer settings.	
 : Settings: Press to move to next step (use with Timer button). Press to confirm week timer.	
 : Back: Press to clear timer settings. Press to return to the previous step (use with Settings button).	
 : Up and Down (use with Settings button).	

LCD Screen

Weekday → Mon, Tues, Wed, Thurs, Fri, Sat, Sun	Sun Mon Tue Wed Thu Fri Sat	<p>Note: The functions can only be adjusted when the related letters or digits are flashing.</p> <p>Note: Calibrate the timer to current time before the weekly settings.</p>
Time Display →		
Current Time / Timer From 00: 00 to 24 NOTE: 00-12:00 is AM / 13:00-24:00 is PM		

 TEMP	<p>TEMPERATURE button: Turns heater on and off.</p> <p>NOTE: Press & Hold the button for 5 seconds, the temperature setting will switch from °C to °F. Same way from °F to °C.</p>	<p>1. Press once: Indicator lights up. Temperature goes to 18 °C</p> <p>2. Press again: until desired setting is Reached. Digital display shows setting circles as below:</p>																																																								
	<table border="1"> <tr><td>NO</td><td>0</td><td>1</td><td>2</td><td>3</td><td>4</td><td>5</td><td>6</td><td>7</td><td>8</td><td>9</td><td>10</td><td>11</td><td>12</td></tr> <tr><td>°C</td><td>18</td><td>19</td><td>20</td><td>21</td><td>22</td><td>23</td><td>24</td><td>25</td><td>26</td><td>27</td><td>28</td><td>29</td><td>30</td></tr> <tr><td>°F</td><td>64</td><td>66</td><td>68</td><td>70</td><td>72</td><td>74</td><td>76</td><td>78</td><td>80</td><td>82</td><td>84</td><td>86</td><td>88</td></tr> <tr><td></td><td>65</td><td>67</td><td>69</td><td>71</td><td>73</td><td>75</td><td>77</td><td>79</td><td>81</td><td>83</td><td>85</td><td>87</td><td></td></tr> </table>	NO	0	1	2	3	4	5	6	7	8	9	10	11	12	°C	18	19	20	21	22	23	24	25	26	27	28	29	30	°F	64	66	68	70	72	74	76	78	80	82	84	86	88		65	67	69	71	73	75	77	79	81	83	85	87		
	NO	0	1	2	3	4	5	6	7	8	9	10	11	12																																												
°C	18	19	20	21	22	23	24	25	26	27	28	29	30																																													
°F	64	66	68	70	72	74	76	78	80	82	84	86	88																																													
	65	67	69	71	73	75	77	79	81	83	85	87																																														

1 Set current day and time

1. Press  once. When "MON" (Monday) begins flashing, use  to select the current day.
2. Press . When the hour digits begin flashing, use  to select the current hour.
3. Press  again. When the minute digits begin flashing, use  to select the current minute.
4. Press  again. The current time is now set.

2 Set ON/OFF time and temperature on a weekly cycle

1. Press . When "MON" begins flashing, press 3 times. When "ON" begins flashing, use to select the desired hour and minute to turn on the heater. at any time to clear the digits and shut down "ON" timer.

note:

The timer can only be adjusted in 30-minute increments (i.e. 00:00 - 00:30; 00:30 - 01:00, etc.)

2. Press . When "OFF" begins flashing, use to select the desired hour and minute to turn off the heater. Press at any time to clear the digits and shut down "OFF" timer.
3. Press again. When "18" begins flashing, use to select the desired temperature for Monday.

note:

If the temperature was previously set, those digits will be shown instead of "18".

4. Press again. When "TUES" appears on the screen and "ON" begins flashing, use to select the desired hour and minute to turn on the heater for Tuesday.
5. Press again. When "OFF" begins flashing, use to select the desired hour and minute to turn off the heater for Tuesday.
6. Press again. When "18" begins flashing, use to select the desired temperature for Tuesday.
7. Repeat steps 1 to 6 to set the "ON/OFF" time and temperature for Wednesday, Thursday, Friday, Saturday, and Sunday.
8. Press or to complete programming, ensuring to aim the remote control at the receiver, located in the middle of the appliance. The appliance will "beep" once to confirm that programming has been successful.

Open window warning

If the room temperature decreases by 10 degrees within 3 minutes, the appliance will assume there is an open window nearby. In order to conserve energy, the heater will automatically switch from High Heat to Low Heat, or if the heater is already at Low Heat, it will turn off completely.

When switching from High Heat to Low Heat, the appliance will beep 3 times and the digital display will flash "88" 3 times before displaying the existing heating status.

When switching from Low Heat to Off, the appliance will beep 3 times and the digital display will flash "88" continuously.

To reset the heating function, see "operating remote control" section.

NOTICE

When the heater is first turned on, a slight odor may be present. This is normal and should not occur again unless the heater is not used for a long period of time.

NOTICE

To improve operation, **aim** the remote control at the front of the fireplace. **DO NOT press the buttons too quickly.** Give the unit time to respond to each command.

Temperature Limiting Control

This heater is equipped with a Temperature Limiting Control. Should the heater reach an unsafe temperature, the heater will automatically turn OFF. To reset:

1. Unplug the power cord from the outlet.
2. Turn the ON/OFF switch on the CONTROL PANEL to OFF. **Wait 5 minutes.**
3. Inspect the fireplace to make sure no vents are blocked, or clogged with dust or lint. If they are, use a vacuum to clean the vent areas.
4. With the POWER switch in the OFF position, plug the power cord back into the outlet.
5. If the problem continues, have your outlet and wiring inspected by a professional.

Remote Control Battery Information

This remote control uses two **AAA** batteries (**Not Included**)



NEVER dispose of batteries in **fire**. Failure to observe this precaution **may result in an explosion**. Dispose of batteries at your local hazardous material processing center.

Care and Maintenance

Cleaning



ALWAYS turn the heater **OFF** and **unplug the power cord from the outlet** before cleaning, performing maintenance, or moving this fireplace. Failure to do so could result in **electric shock, fire, or personal injury**.



NEVER immerse in water or **spray with water**. Doing so could result in **electric shock, fire, or personal injury**.

Metal:

- Buff using a soft cloth, slightly dampened with a citrus oil-based product.
- **DO NOT** use brass polish or household cleaners as these products will damage the metal trim.

Glass:

- Use a good quality glass cleaner sprayed onto the cloth or towel. Dry thoroughly with a paper towel or lint-free cloth.
- **NEVER** use abrasive cleansers, liquid sprays, or any cleaner that could scratch the surface.

Vents:

- Use a vacuum or duster to remove dust and dirt from the heater and vent areas.

Plastic:

- Wipe gently with a slightly damp cloth and a mild solution of dish soap and warm water.
- **NEVER** use abrasive cleansers, liquid sprays, or any cleaner that could scratch the surface.

Maintenance



Risk of electric shock! DO NOT OPEN any panels ! No user-serviceable parts inside!



ALWAYS turn the heater **OFF** and **unplug the power cord from the outlet** before cleaning, performing maintenance, or moving this fireplace. Failure to do so could result in **electric shock, fire, or personal injury**.

Electrical and Moving Parts:

- The fan motors are lubricated at the factory and will not require lubrication.
- Electrical components are integrated in the fireplace and are not serviceable by the consumer.

Storage:

- Store heater in a clean dry place when not in use.



WARNING! NO SERVICING of the internal or electrical parts should be performed by the consumer. Do not service the unit yourself.

Troubleshooting

WARNING

**DISCONNECTED THE APPLIANCE COMPLETELY AND LET COOL PRIOR TO ANY SERVICE.
ONLY A QUALIFIED SERVICE PERSON SHOULD SERVICE AND REPAIR THIS ELECTRIC APPLIANCE.**

Problem	Possible Cause	Solution
1. Fireplace turns off and will not turn on.	1. Fireplace has overheated and safety device has caused thermal switch to disconnect or home circuit breaker has opened.	1. Reset switch by turning main power switch off and waiting 10 minutes then turning it back on or reset circuit breaker.
2. Flame is not moving.	1. Loose wiring. 2. Flame motor defective. 3. Flame rod out of place	1. Inspect wiring for loose connections. 2. Call a qualified service technician to replace flame motor. 3. "Flame Rod" out of place due to rough transit/handling of the product. This issue can be corrected as simple as removing the glass, flipping the fireplace upside down, removing a set of screws that are holding the bottom frame plate and placing the flame rod back into place.
3. Flame is not visible.	1. Wiring is loose.	1. Disconnect from power source and inspect wiring for loose connections and repair or replace if necessary. 2. Push the flame button to high
4. Log set and/or is not glowing.	1. Wiring is loose. 2. Ember is in off mode	1. Disconnect from power source and inspect wiring for loose connections and repair or replace if necessary. 2. Push the ember button is high
5. Remote control does not work.	1. Low batteries. 2. Not aiming control correctly. 3. Defective remote control and /or sensor.	1. Replace batteries in remote control. 2. Aim control at sensor located directly behind glass screen in center of unit just above logs. 3. Replace remote control and/or sensor.
6. Fireplace will not come on when switch is flipped to ON.	1. Fireplace is not plugged in to an electrical outlet. 2. Control failure. 3. Breaker tripped.	1. Check plug. 2. Call a qualified service technician. 3. Reset breaker.

7. Heater does not provide heat when turned on.

1. Thermal switch has been tripped.

2. Wiring is loose.

3. Heater is defective.

1. Turn unit off and unplug unit for 10 minutes. Plug back in and turn unit on. If plug cannot be reached, follow directions for tripped circuit breaker.

2. Disconnect from power source and inspect wiring for loose connections and repair or replace if necessary.

3. Replace heater.

CAUTION:To remove the glass, you will notice two screws on front both sides (right and left) of the fireplace. Once the screws are removed, slide the glass up and away from the fireplace. Once the bottom frame plate is removed, you will notice one flame motor on right side where the rod should be in place with the rubber plugs.

Please remember to always have the unit disconnected prior to any work, always lay glass as well as the unit on a towel or other material not to damage parts/frame.

This entire process should not take longer than 20-30 minutes.

INSTRUKCJA UŻYTKOWNIKA

■ AV-WM36IMP

■ AV-WM43IMP

■ AV-WM50IMP

■ AV-WM60IMP

■ AV-WM72IMP



Elektryczny kominek ścienny / wkład
IMPERIAL 36"/43"/50"/60"/72"

AC 220V-240V 50Hz 1400-1600 W



**OSTRZE-
ŻENIE**

Przed podłączeniem lub skorzystaniem z urządzenia, **przeczytaj ze zrozumieniem** całą instrukcję użytkownika, z uwzględnieniem **wszystkich informacji dotyczących bezpieczeństwa**. Niezastosowanie się do tego wymogu może skutkować **wzniesieniem ognia, porażeniem prądem lub poważnymi obrażeniami ciała**.



UWAGA

Zachowaj niniejszą instrukcję użytkownika w celu skorzystania z niej w przyszłości. W przypadku sprzedaży lub przekazania urządzenia, **należy koniecznie dołączyć do niego instrukcję**.



WAŻNE INSTRUKCJE BEZPIECZEŃSTWA



OSTRZEŻENIE

Podczas korzystania z urządzeń elektrycznych, należy zawsze przestrzegać podstawowych środków ostrożności, aby zmniejszyć ryzyko pożaru, porażenia prądem i obrażeń osób, z uwzględnieniem poniższych wskazówek:

- Przeczytaj wszystkie instrukcje przed użyciem tego urządzenia.
- Urządzenie nagrzewa się podczas pracy. Aby uniknąć oparzeń, nie dotykaj gorących powierzchni. Jeżeli są dostępne – używaj uchwytów w celu przenoszenia urządzenia. Trzymaj materiały palne takie jak meble, poduszki, pościel, dokumenty, ubrania i zasłony w odległości co najmniej 1 m od przodu urządzenia. Trzymaj wszystkie te przedmioty z dala od boków i tyłu urządzenia. Aby uniknąć przegrzania, nie okrywaj niczym urządzenia.
- Szczególną ostrożność należy zachować, gdy urządzenie grzewcze używane jest w pobliżu dzieci lub osób niepełnosprawnych oraz gdy pozostaje załączone bez nadzoru.
- Nieużywane urządzenie należy odłączyć od zasilania.
- Nie uruchamiaj urządzenia z uszkodzonym przewodem zasilającym lub wtyczką, bądź w przypadku usterki urządzenia, upadku z wysokości. Należy oddać urządzenie do autoryzowanego serwisu w celu zbadania, regulacji elektrycznej lub mechanicznej, lub naprawy.
- Urządzenie przeznaczone jest wyłącznie do użytku wewnątrz budynku.
- Nie używaj urządzenia w łazienkach, pralniach i podobnych pomieszczeniach. Nigdy nie umieszczaj urządzenia w miejscach gdzie może wpaść do wanny lub innego zbiornika z wodą.
- Nie prowadź przewodu zasilającego pod wykładziną. Nie zakrywaj przewodu dywanami, chodnikami oraz innymi wykładzinami. Prowadź przewód z dala od często uczęszczanych miejsc i tak, żeby nikt się o niego nie potknął.
- Aby odłączyć urządzenie, wygaś wszystkie kontrolki na „OFF”, a następnie wyjmij wtyczkę z gniazdka.
- Nie wkładaj i nie pozwól aby jakiegokolwiek przedmioty dostały się do otworów wentylacyjnych i nawiewu, gdyż może to spowodować porażenie prądem, pożar lub uszkodzenie urządzenia.
- Aby uniknąć ryzyka pożaru, nie blokuj wlotów i wylotów powietrza w jakikolwiek sposób. Nie używaj urządzenia na miękkich powierzchniach takich jak łóżko, gdzie otwory mogą zostać zablokowane.
- Kominek posiada wewnątrz elementy nagrzewające się oraz mogące wytwarzać iskry i łuki elektryczne. Nie używaj w miejscach przechowywania benzyny, farb lub innych łatwopalnych cieczy.
- Używaj kominka tylko w sposób przedstawiony w niniejszej instrukcji. Wszelkie inne zastosowania nie zalecane przez producenta, mogą spowodować pożar, porażenie prądem lub obrażenia osób.
- NIEBEZPIECZEŃSTWO – WYSOKIE temperatury mogą być generowane w nieprawidłowych warunkach pracy. Nie zakrywaj w całości lub częściowo przodu urządzenia grzewczego.
- Lampy można wymieniać wyłącznie po odłączeniu kominka od zasilania.
- Niniejsze urządzenie nie jest przeznaczone do użytku przez osoby (w tym dzieci) o obniżonej sprawności fizycznej, umysłowej lub czuciowej bądź nieposiadające odpowiedniej wiedzy albo doświadczenia, chyba że znajdują się one pod nadzorem osoby odpowiedzialnej za ich bezpieczeństwo lub zostały przez nią poinstruowane w zakresie użytkowania urządzenia. Należy zadbać o to, aby dzieci nie bawiły się urządzeniem.
- UWAGA: Aby uniknąć ryzyka spowodowanego niezamierzonym zresetowaniem termicznych wyłączników przeciążeniowych, kominka nie wolno podłączać do zewnętrznego urządzenia przełączającego, jak programator lub obwodu z układem cyklicznego załączania i wyłączenia.

Przygotowanie



Produkt ten wyposażony jest w **szklany panel!** Zawsze podczas przenoszenia **szkła** należy zachować **szczególną ostrożność**. Niezastosowanie się do tego zalecenia może skutkować obrażeniami ciała lub uszkodzeniem mienia.

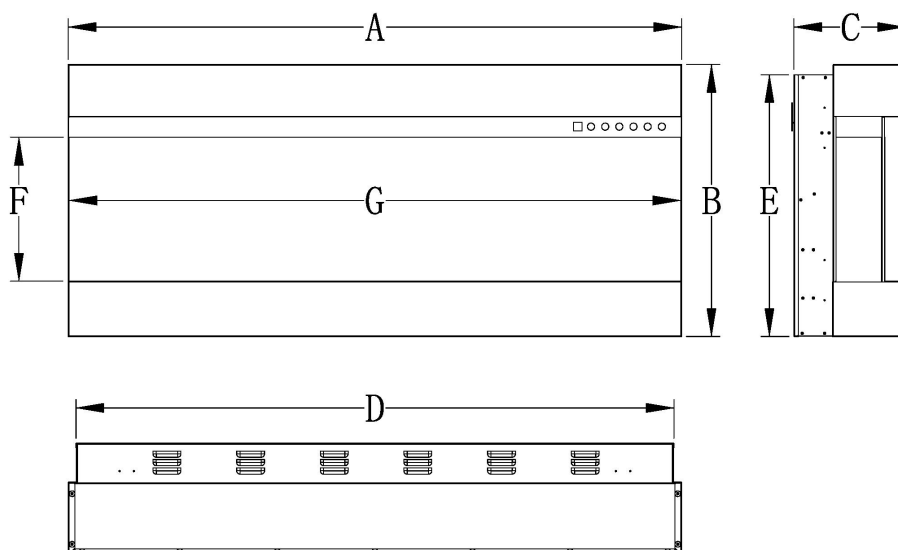
Wyjmij wszystkie podzespoły i elementy montażowe z kartonu i ułóż je na czystym, miękkim i suchym podłożu. Sprawdź listę części aby upewnić się, że niczego nie brakuje. Materiały opakowaniowe należy zutylizować we właściwy sposób. Zawsze gdy jest to możliwe, należy przekazywać odpady do ponownego przetwarzania.

Niezbędne będą następujące narzędzia (nie stanowią wyposażenia): śrubokręt krzyżakowy; poziomica; miarka; wiertarka; młotek.

Podzespoły i elementy montażowe

<p>A – Kominek</p>			
	<p>B – Wkręty do drewna</p>		<p>C – Kotwy</p>
	<p>Pilot Zdalnego Sterowania</p>	<p>E-Metalowy uchwyt (Krótszy dolny)</p>	<p>F- Metalowy uchwyt (Dłuższy górny)</p>
<p>G-Wspornik</p> <p>Montowany z tyłu obudowy</p>	<p>H - Kryształki</p>	<p>I - Polana</p>	<p>J - Plastikowa tacka</p>

Specyfikacja i wymiary



WYMIARY KOMINKA

Model	A	B	C	D	E	F	G
AV-WM36IMP	36.6" 93cm	19.1" 48.4cm	7.9" 20cm	35.5" 90.2cm	18.3" 46.56cm	10.1" 25.61cm	36.4" 92.57cm
AV-WM43IMP	43.3" 110.2cm	19.1" 48.4cm	7.9" 20cm	42.2" 107.22cm	18.3" 46.56cm	10.1" 25.61cm	43.1" 109.6cm
AV-WM50IMP	50" 127cm	19.1" 48.4cm	7.9" 20cm	48.9" 124.2cm	18.3" 46.56cm	10.1" 25.61cm	49.8" 126.57cm
AV-WM60IMP	60" 152.4cm	19.1" 48.4cm	7.9" 20cm	58.9" 149.6cm	18.3" 46.56cm	10.1" 25.61cm	59.8" 151.97cm
AV-WM72IMP	72" 182.8cm	19.1" 48.4cm	7.9" 20cm	70.9" 180cm	18.3" 46.56cm	10.1" 25.61cm	71.8" 182.37cm

Montaż i instalacja

Twoje urządzenie jest urządzeniem ściennym. Wybierz odpowiednie miejsce, które nie jest podatne na wilgoć i znajduje się z dala od zasłon, mebli i miejsc o dużym natężeniu ruchu.

UWAGA: Należy przestrzegać wszystkich krajowych i lokalnych przepisów elektrycznych.

MINIMALNY ODSTĘP OD MATERIAŁÓW ŁATWOPALNYCH

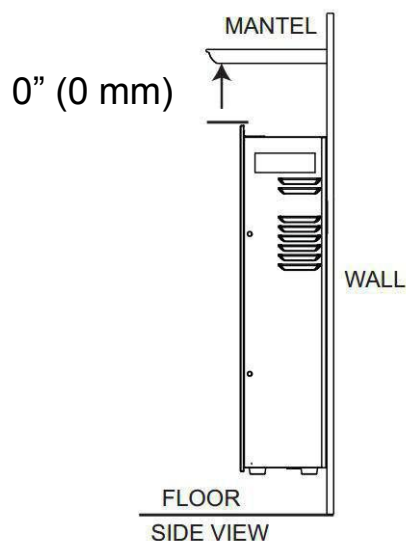
Pomiary są wykonywane od szklanego frontu.

Dół	0mm	Góra	0mm od obudowy
Boki	0mm	Góra	0mm od sufitu
Tył	0mm		

MINIMALNY ODSTĘP OD OBUDOWY

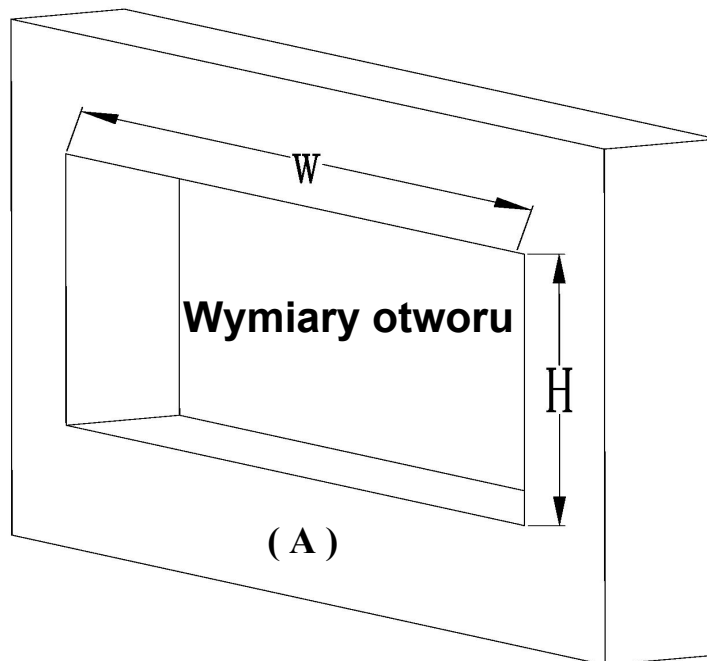
UWAGA

UŻYWAJĄC FARBY LUB LAKIERU DO WYKOŃCZENIA OBUDOWY, FARBA LUB LAKIER MUSI BYĆ ODPORNY NA CIEPŁO, ABY ZAPOBIEGAĆ ODBARWIENIOM.



Wkład / wpuszczony w ścianę

UWAGA: Zamontuj kominek w taki sposób, aby w przypadku awarii można było go wyjąć ze ściany w celach serwisowych.

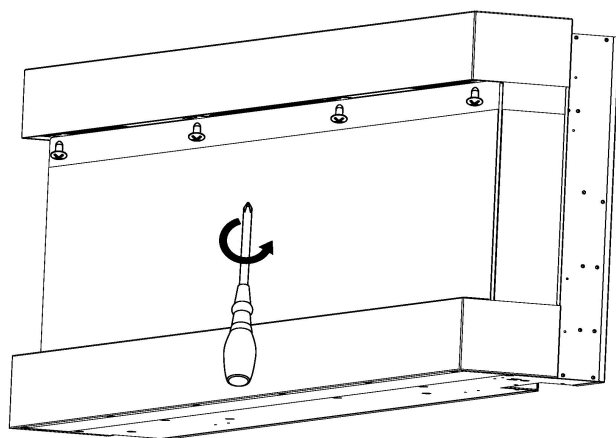


KROK A. Wymiary otworu w tabelce poniżej.
Rysunek (A)

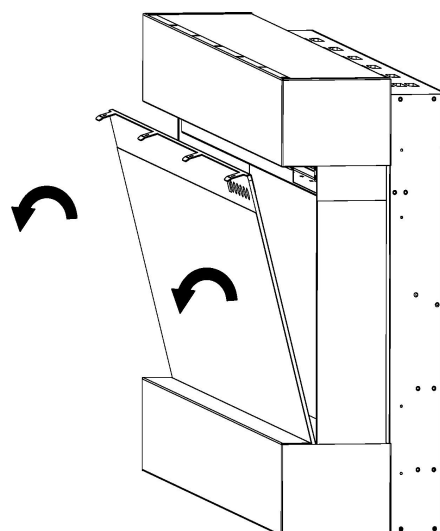
Rozmiar otworu		
Model	W	H
AV-WM36IMP	35.9" (91.2CM)	18.84" (47.86CM)
AV-WM43IMP	42.71" (108.3CM)	18.84" (47.86CM)
AV-WM50IMP	49.29" (125.2CM)	18.84" (47.86CM)
AV-WM60IMP	59.29" (150.6CM)	18.84" (47.86CM)
AV-WM72IMP	71.25" (181CM)	18.84" (47.86CM)

KROK B. Za pomocą śrubokrętu odkręć śruby z przodu **Rysunek (B)**

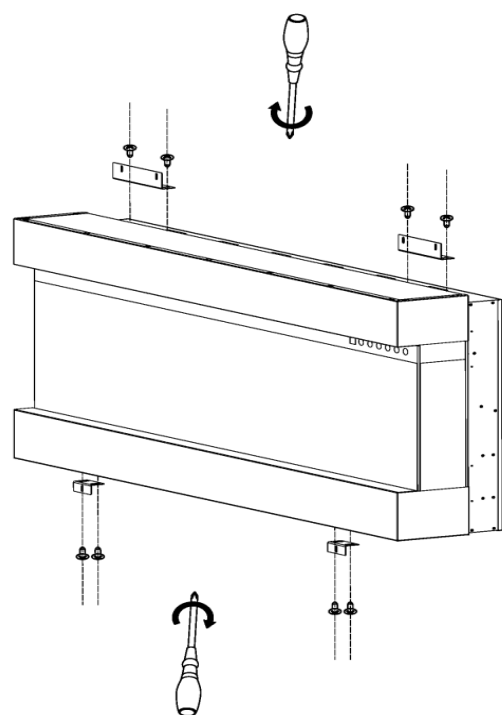
KROK C. W dwie osoby odchylcie ostrożnie szklany panel i zdejmijcie go **Rysunek (C)**



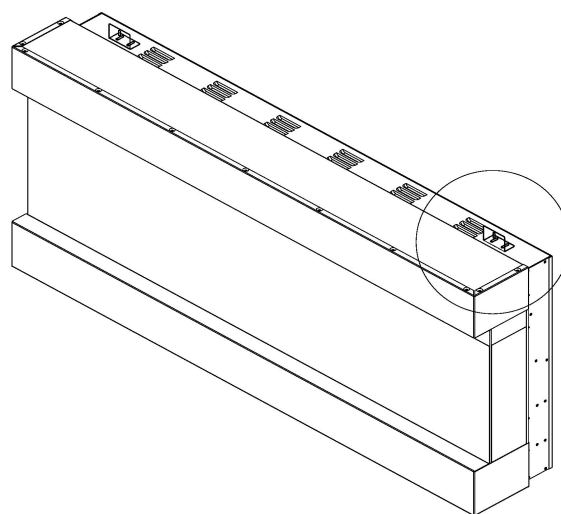
(B)



(C)



(D)



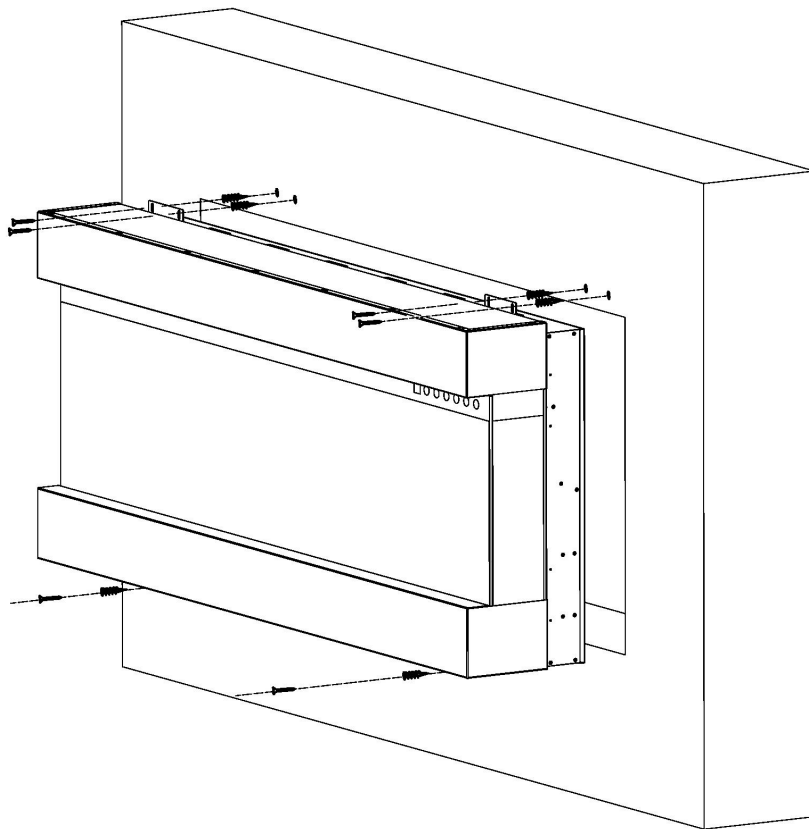
(E)

KROK D. Przymocuj metalowe wsporniki (E) do dołu i (F) góry obudowy. **Rysunek (D,E)**
UWAGA: Metalowe uchwyty mogą być używane jako ruchome, w razie potrzeby dostosuj je do najlepszej lokalizacji

KROK E. Poproś dwie osoby dorosłe, aby podniosły kominek i włożyły go do otworu w ścianie.

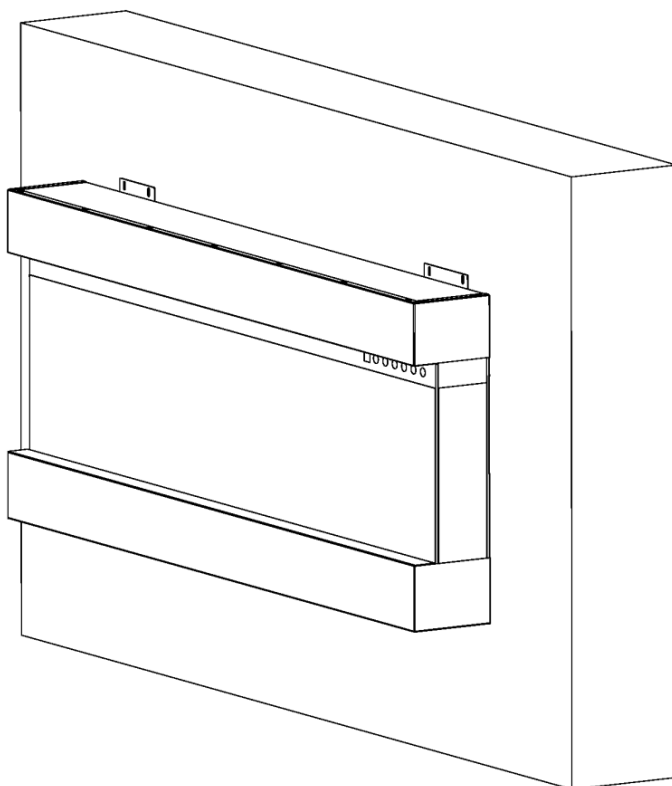
Za pomocą śrubokrętu przymocuj wszystkie wkręty do drewna i kotwy przez metalowe wsporniki do ściany i mocno przymocuj.

UWAGA: Upewnij się, że wszystkie śruby i kotwy są dobrze przykręcone.



(F)

KROK F. Twój kominek będzie wyglądał następująco po instalacji



MONTAŻ NAŚCIENNY

Ze względu na wiele różnych materiałów używanych na różnych ścianach, zaleca się skonsultowanie z profesjonalistą przed zainstalowaniem tego urządzenia na ścianie.

A. Wybierz miejsce, które nie jest podatne na wilgoć i znajduje się co najmniej 100cm od materiałów łatwopalnych, takich jak zasłony, meble, pościel, papier itp.

B. Aby ustalić ostateczną lokalizację potrzebne są dwie osoby do trzymania.

C. Umieść obudowę przodem do dołu na miękkiej, nieściernej powierzchni. Wyjmij wspornik z tyłu urządzenia odkręcając śruby, patrz Rysunek 1.

D. Oznacz położenie, a następnie przymocuj wsporniki do ściany za pomocą dostarczonych śrub. Uchwyt

MUSI mieć zagięcia skierowane w górę i być wypoziomowany. **UWAGA:**

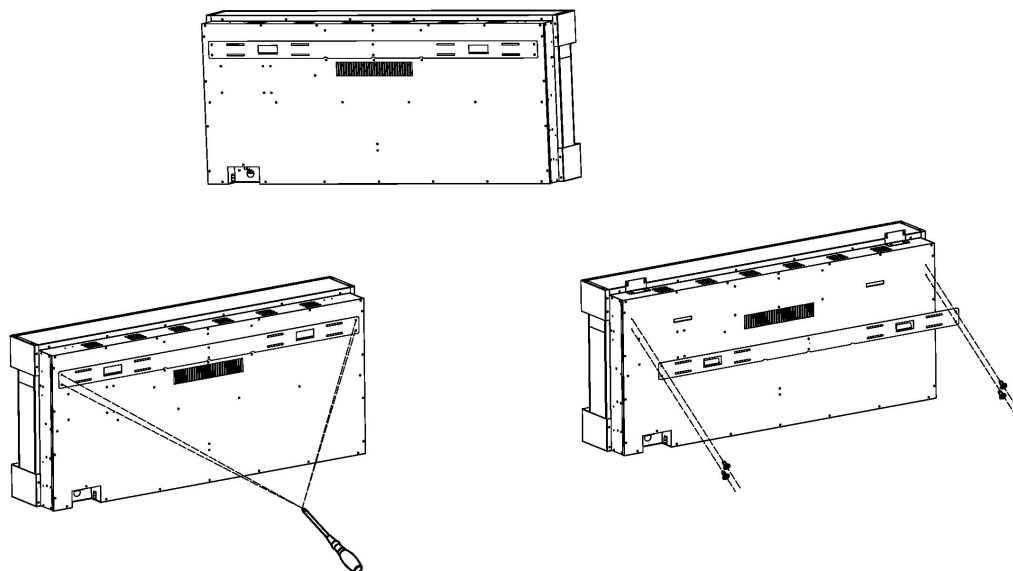
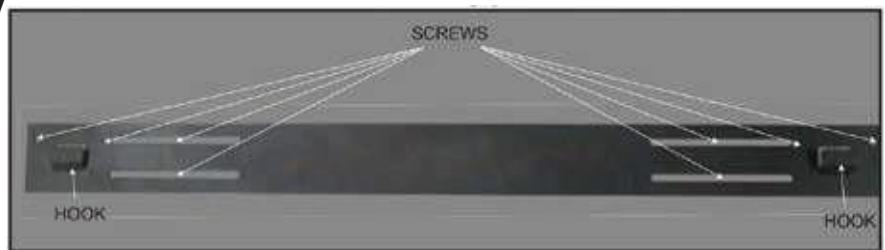
Zdecydowanie zaleca się, aby

wspornik montażowy (E) był przykręcony do kołków ściennych tam, gdzie to możliwe. Jeśli nie można użyć wkrętów ściennych,

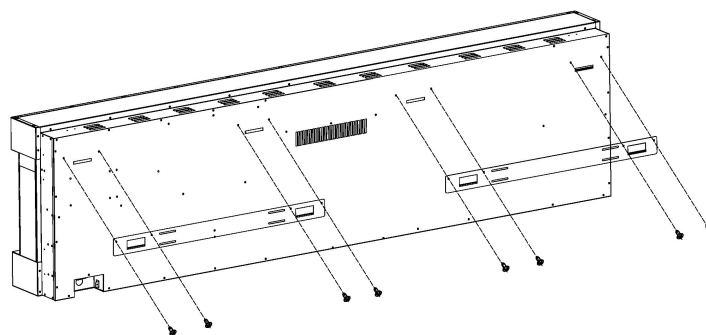
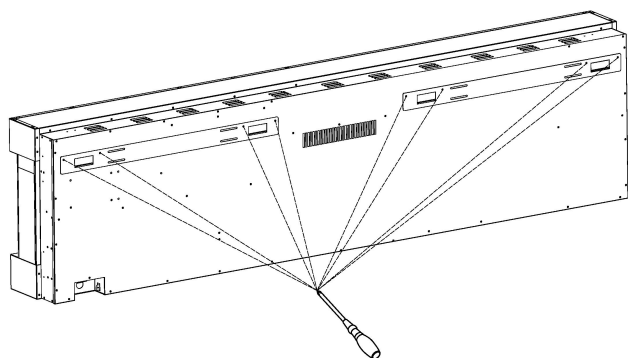
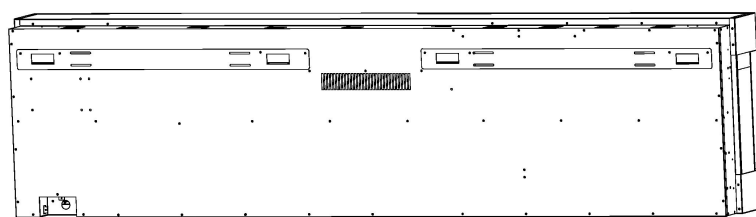
upewnij się, że dostarczone plastikowe kotwice użyte są do przymocowania wspornika do ściany, a wspornik jest odpowiednio zabezpieczony.

E. Po zamontowaniu wspornika do montażu na ścianie dwie osoby podnoszą urządzenie i wkładają zagięcia wspornika w gniazda urządzenia.

F. Sprawdź stabilność urządzenia, upewniając się, że wspornik nie wysunie się ze ściany.

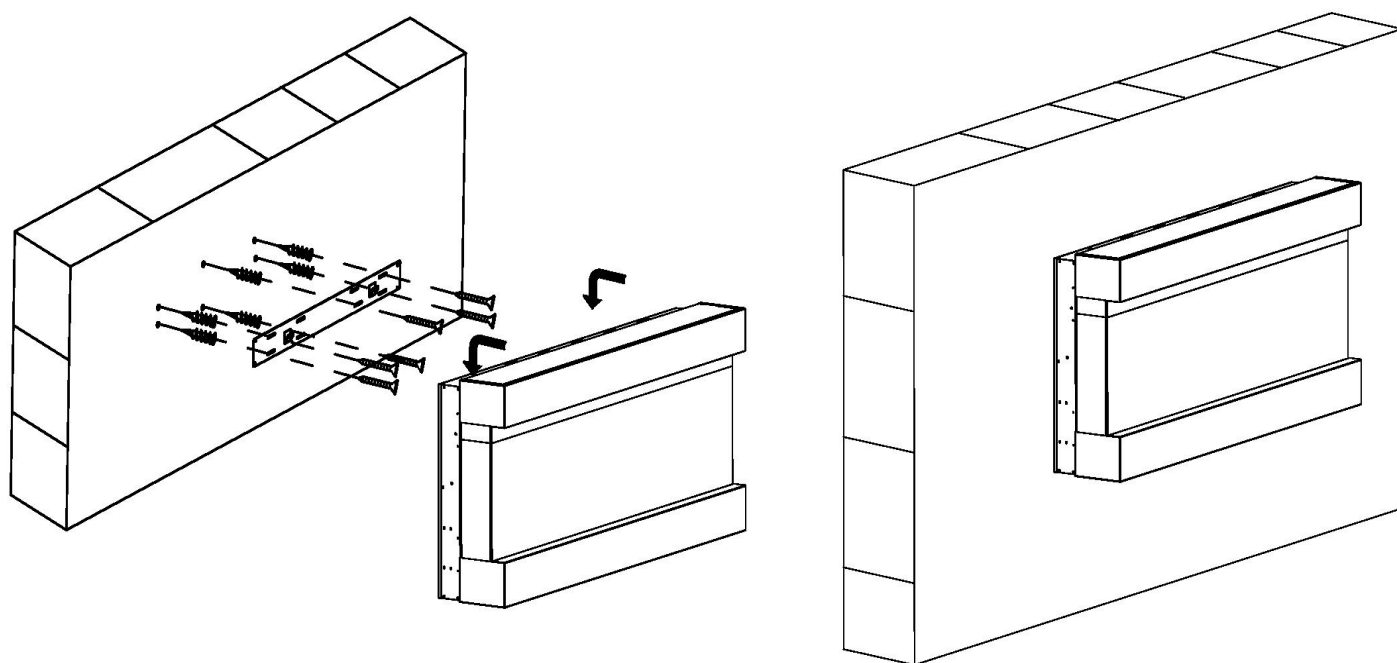


Wspornik AV-WM36-50IMP



Wspornik AV-WM60-72IMP

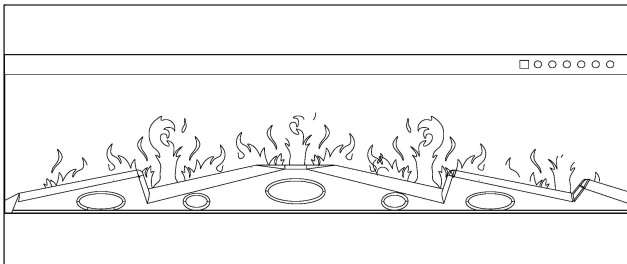
G. Twój kominek będzie wyglądał następująco po instalacji



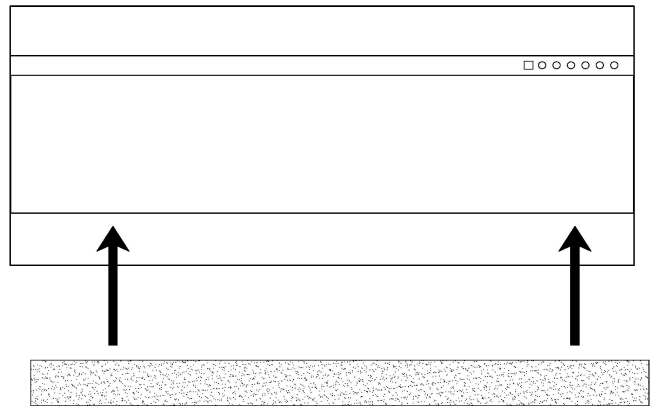
Montaż zestawu polan / kryształków

(**UWAGA:** wykonaj montaż zgodnie z zakupionym lub wybranym rodzajem paleniska)

- A.** Przed przystąpieniem do montażu zestawu polan / kryształków, urządzenie musi być zainstalowane w docelowym miejscu oraz należy zdjąć przednią szklaną szybę.
- B.** Jeżeli kominek został dostarczony z zestawem polan, wyjmij je z opakowania i umieść w kominku **Rysunek 1.**
- C.** Aby zmienić na kryształki, wyciągnij najpierw polana z kominka. Umieść tacę z tworzywa (**J**) na przeznaczonym do tego miejscu wewnątrz kominka. Następnie ostrożnie rozłóż kryształki / kamyki na spodzie tacy, z przodu urządzenia, jak pokazano na rysunku. Ułóż równą warstwę na całej długości. **Rysunek 2, Rysunek 3.**



Rysunek 1



Rysunek 2



Rysunek 3. (Kryształki)

Obsługa



Przed podłączeniem lub rozpoczęciem korzystania z urządzenia, przeczytaj ze zrozumieniem całą instrukcję użytkownika, z uwzględnieniem **wszystkich informacji dotyczących bezpieczeństwa**. Niezastosowanie się do tego wymogu może skutkować **porażeniem prądem, wzniesieniem ognia, poważnymi obrażeniami ciała lub śmiercią**.

Podłączenie do zasilania

Podłącz przewód zasilający do gniazdka AC 220-240 V (patrz **WAŻNE INSTRUKCJE BEZPIECZEŃSTWA** na **stronach 2 i 3**). Upewnij się, że gniazdko jest w dobrym stanie technicznym i wtyczka nie jest luźna. **NIGDY** nie przekraczaj dopuszczalnego natężenia prądu dla obwodu. **NIE** podłączaj innych urządzeń do tego samego obwodu.




Sposoby obsługi




Kominek ten można obsługiwać za pomocą PANELU DOTYKOWEGO znajdującego się na przedzie kominka lub korzystając z PILOTA ZDALNEGO STEROWANIA, zasilanego bateriami.

Obsługa i funkcje obu metod są identyczne.

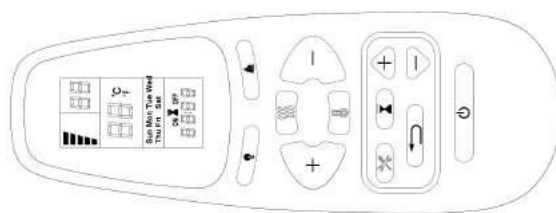
Przed przystąpieniem do obsługi, zapoznaj się z **WAŻNYMI INSTRUKCJAMI BEZPIECZEŃSTWA** na **stronach 2 i 3** i zastosuj się do nich.





Obsługa panelu sterowania / pilota

BUTTON	FUNCTION	ACTION & INDICATION
 POWER	WŁ.: Aktywuje funkcje panelu sterowania i pilota. Załącza efekt płomienia. WYŁ.: Blokuję funkcje panelu sterowania i pilota. Wyłącza efekt płomienia.	1. Naciśnij raz: Kontrolka zaświeci się. Załączenie zasilania. Wszystkie funkcje aktywne. 2. Naciśnij ponownie: Efekt płomienia wyłączony. Urządzenie w trybie oczekiwania. Wszystkie funkcje nieaktywne.
 TIMER	Przycisk programatora: Regulacja ustawień programatora w celu wyłączenia kominka o określonej godzinie. Zakres nastawy od 0,5 do 7,5 godziny.	1. Naciśnij raz: Kontrolka zaświeci się. Programator ustawiony na 0,5 godziny 2. Naciskaj ponownie aż do uzyskaniażądanego ustawienia. Kontrolka wskazuje ustawienie.
 FLAME	Przycisk PŁOMIENIA: regulacja jasności płomienia. UWAGA: Efekt płomienia pozostaje załączony do momentu naciśnięcia przycisku zasilania. Efekt płomienia musi być załączony w celu uruchomienia nagrzewnicy.	1. Naciśnij raz: Zmiana jasności efektu płomienia. 2. Naciskaj ponownie aż do uzyskaniażądanego ustawienia.


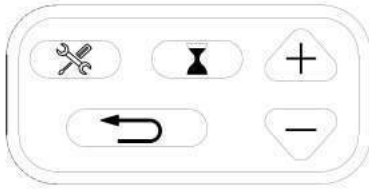



 <p>COLOR</p>	<p>Przycisk KOLORU: Zmiana koloru dla efektu płomienia.</p> <p>UWAGA: Efekt koloru pozostaje aktywny do momentu naciśnięcia przycisku zasilania. Efekt koloru płomienia musi być wyłączony w celu uruchomienia nagrzewnicy.</p>	<ol style="list-style-type: none"> 1. Naciśnij raz: Zmiana koloru płomienia. 2. Naciskaj ponownie aż do uzyskaniażądanego ustawienia.
 <p>HEATER</p>	<p>Przycisk NAGRZEWNICY: Włącza i wyłącza nagrzewnicę.</p> <p>UWAGA: Nagrzewnica będzie działać tylko gdy aktywny jest efekt płomienia. Jeżeli efekt płomienia jest wyłączony, nagrzewnica nie załączy się.</p> <p>UWAGA: Aby uniknąć przegrzania, wentylator nagrzewnicy będzie nawiewał chłodne powietrze przez 10 sekund przed załączeniem nagrzewnicy oraz po jej wyłączeniu.</p>	<ol style="list-style-type: none"> 1. Naciśnij raz. Zapali się kontrolka. Wentylator nawiewa chłodne powietrze przez 10 sekund. Niski poziom nagrzewnicy włączy się i nawiewa ciepłe powietrze. 2. Naciśnij ponownie. Kontrolka świeci się. Wysoki poziom nagrzewnicy włączy się i nawiewa ciepła powietrze. 3. Naciśnij ponownie. Nagrzewnica wyłączy się. Wentylator nawiewa chłodne powietrze przez 10 sekund umożliwiając schłodzenie nagrzewnicy, następnie wyłącza się.
	<p>Przycisk podświetlenia paleniska (1): Zmiana koloru efektu podświetlenia paleniska</p> <p>NOTE: Efekt podświetlenia pozostaje do momentu naciśnięcia przycisku zasilania</p>	<ol style="list-style-type: none"> 1. Naciśnij raz. Zmiana koloru podświetlenia. 2. Naciskaj ponownie aż do uzyskaniażądanego ustawienia w 10 wariantach. <p>Uwaga: Naciśnięcie przycisku 11 raz powoduje przejście do automatycznego trybu cyklicznego.</p>

Obsługa pilota

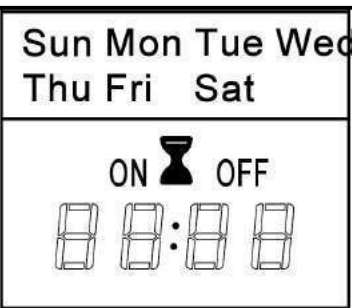


PRZYCISK	FUNKCJA	DZIAŁANIE i SYGNALIZACJA
 POWER	<p>WŁ.: Aktywuje funkcje panelu sterowania i pilota. Załącza efekt płomienia.</p> <p>WYŁ.: Blokuje funkcje panelu sterowania i pilota. Wyłącza efekt płomienia.</p>	<ol style="list-style-type: none"> 1. Naciśnij raz: Kontrolka zaświeci się. Załączenie zasilania. Wszystkie funkcje aktywne. 2. Naciśnij ponownie: Efekt płomienia wyłączony. Urządzenie w trybie oczekiwania. Wszystkie funkcje nieaktywne.
	<p>Przycisk KOLORU: Zmiana koloru dla efektu płomienia.</p> <p>UWAGA: Efekt koloru pozostaje aktywny do momentu naciśnięcia przycisku zasilania. Efekt koloru płomienia musi być załączony w celu uruchomienia nagrzewnicy.</p>	<ol style="list-style-type: none"> 1. Naciśnij raz: Zmiana koloru płomienia. 2. Naciskaj ponownie aż do uzyskania żądanego ustawienia.
	<p>Przycisk PŁOMIENIA: regulacja jasności płomienia.</p> <p>UWAGA: Efekt płomienia pozostaje załączony do momentu naciśnięcia przycisku zasilania. Efekt płomienia musi być załączony w celu uruchomienia nagrzewnicy.</p>	<ol style="list-style-type: none"> 1. Naciśnij raz: Zmiana jasności efektu płomienia. 2. Naciskaj ponownie aż do uzyskania żądanego ustawienia.
 HEATER	<p>Przycisk NAGRZEWNICY: Włącza i wyłącza nagrzewnicę.</p> <p>UWAGA: Nagrzewnica będzie działać tylko gdy aktywny jest efekt płomienia. Jeżeli efekt płomienia jest wyłączony, nagrzewnica nie załączy się.</p> <p>UWAGA: Aby uniknąć przegrzania, wentylator nagrzewnicy będzie nawiewał chłodne powietrze przez 8-10 sekund przed załączeniem nagrzewnicy oraz po jej wyłączeniu.</p>	<ol style="list-style-type: none"> 1. Naciśnij raz. Zapali się kontrolka. Wentylator nawiewa chłodne powietrze przez 10 sekund. Niski poziom nagrzewnicy włączy się i nawiewa ciepłe powietrze. 2. Naciśnij ponownie. Kontrolka świeci się. Wysoki poziom nagrzewnicy włączy się i nawiewa ciepła powietrze. 3. Naciśnij ponownie. Nagrzewnica wyłączy się. Wentylator nawiewa chłodne powietrze przez 10 sekund umożliwiając schłodzenie nagrzewnicy, następnie wyłącza się.

USTAWIENIA PROGRAMATORA NA PILOCIE








 Timer: Wyświetla bieżący dzień, czas i tydzień. Naciśnij aby wprowadzić lub potwierdzić ustawienia.	
 Ustawienia: Naciśnij aby przejść do następnego kroku (używaj z przyciskiem Timer). Naciśnij, aby potwierdzić program tygodniowy.	
 Wstecz: Naciśnij aby wyczyścić ustawienia. Naciśnij aby wrócić do poprzedniego kroku (używaj z przyciskiem Ustawienia).	
 Góra/Dół (używaj z przyciskiem Ustawienia).	

Wyświetlacz cyfrowy





Dni tygodnia → Mon, Tues, Wed, Thurs, Fri, Sat, Sun		<p>Uwaga: Funkcje można regulować tylko wtedy, gdy migają odpowiednie litery lub cyfry.</p> <p>Uwaga: Skalibruj zegar do aktualnego czasu przed ustawieniami cotygodniowymi.</p>
Wyświetlanie czasu →		
Bieżący czas / Timer od 00: 00 do 24		

 <p>TEMP</p>	<p>Przycisk TEMPERATURY: Włącza i wyłącza nagrzewnicę.</p> <p>UWAGA: Naciśnij i Przytrzymaj przycisk przez 5 sekund, skala zmieni się z °C na °F. Tak samo z °F na °C.</p>	<p>1. Naciśnij raz: Zapali się kontrolka. Temperatura zmieni się na 18 °C</p> <p>2. Naciśnij ponownie: aż do uzyskania żądanego ustawienia. Wyświetlacz wskazuje nastawę z tabeli:</p>																																																								
	<table border="1"> <thead> <tr> <th>NO</th> <th>0</th> <th>1</th> <th>2</th> <th>3</th> <th>4</th> <th>5</th> <th>6</th> <th>7</th> <th>8</th> <th>9</th> <th>10</th> <th>11</th> <th>12</th> </tr> </thead> <tbody> <tr> <td>°C</td> <td>18</td> <td>19</td> <td>20</td> <td>21</td> <td>22</td> <td>23</td> <td>24</td> <td>25</td> <td>26</td> <td>27</td> <td>28</td> <td>29</td> <td>30</td> </tr> <tr> <td>°F</td> <td>64</td> <td>66</td> <td>68</td> <td>70</td> <td>72</td> <td>74</td> <td>76</td> <td>78</td> <td>80</td> <td>82</td> <td>84</td> <td>86</td> <td>88</td> </tr> <tr> <td></td> <td>65</td> <td>67</td> <td>69</td> <td>71</td> <td>73</td> <td>75</td> <td>77</td> <td>79</td> <td>81</td> <td>83</td> <td>85</td> <td>87</td> <td></td> </tr> </tbody> </table>		NO	0	1	2	3	4	5	6	7	8	9	10	11	12	°C	18	19	20	21	22	23	24	25	26	27	28	29	30	°F	64	66	68	70	72	74	76	78	80	82	84	86	88		65	67	69	71	73	75	77	79	81	83	85	87	
	NO	0	1	2	3	4	5	6	7	8	9	10	11	12																																												
°C	18	19	20	21	22	23	24	25	26	27	28	29	30																																													
°F	64	66	68	70	72	74	76	78	80	82	84	86	88																																													
	65	67	69	71	73	75	77	79	81	83	85	87																																														

1 Ustaw bieżący dzień i czas






- Naciśnij  raz. Gdy "MON" (Poniedziałek) zacznie migać, użyj  aby wybrać bieżący dzień.
- Naciśnij  . Gdy cyfry godzinowe zaczną migać, użyj  aby ustawić godziny.
- Naciśnij  ponownie. Gdy cyfry minutowe zaczną migać, użyj  aby ustawić minuty.
- Naciśnij  ponownie. Bieżący czas został ustawiony.

2 Ustaw czas włączania/wyłączenia i temperaturę w programie tygodniowym

1. Naciśnij . Gdy zacznie migać "MON" (poniedziałek), naciśnij  3 razy. Gdy "ON" zacznie migać, użyj  aby wybrać pożądaną godzinę i minutę **WŁĄCZENIA** grzania.  w dowolnym momencie, aby skasować cyfry i wyłączyć timer.









uwaga:

Timer można regulować tylko w 30-minutowych krokach (np. 00:00 - 00:30; 00:30 - 01:00, itd.)

2. Naciśnij . Gdy zacznie migać "OFF", użyj  do wybrania żądanej godziny i minuty **WYŁĄCZENIA** grzania. Naciśnij  w dowolnym momencie, aby skasować cyfry i wyłączyć timer.
3. Naciśnij  ponownie. Gdy "18" zacznie migać, użyj  do wybrania pożądanego temperatury dla poniedziałku.

uwaga:

Jeśli temperatura była wcześniej ustawiona, cyfry te będą wyświetlane zamiast "18".

4. Naciśnij  ponownie. Gdy pojawi się "TUES" (wtorek) i "ON" zacznie migać, użyj  aby wybrać pożądaną godzinę i minutę włączenia grzania we wtorek.
5. Naciśnij  ponownie. . Gdy zacznie migać "OFF", użyj  do wybrania żądanej godziny i minuty wyłączenia grzania we wtorek.
6. Naciśnij  ponownie. Gdy "18" zacznie migać, użyj  do wybrania pożądanego temperatury dla wtorku.
7. Powtórz kroki od 1 do 6, aby ustawić czas włączania/wyłączenia i temperaturę dla środy (WED), czwartku (THURS), piątku (FRI), soboty (SAT) i niedzieli (SUN).
8. Naciśnij  lub  aby zakończyć ustawianie, upewniając się, że pilot jest skierowany na odbiornik umiejscowiony na środku urządzenia. Urządzenie wyemituje jeden sygnał dźwiękowy, aby potwierdzić, że programowanie zakończyło się powodzeniem.

Ostrzeżenie o otwartym oknie

Jeśli temperatura w pomieszczeniu spadnie o 10 stopni w ciągu 3 minut, urządzenie założy, że w pobliżu znajduje się otwarte okno. Aby oszczędzać energię, kominek automatycznie przełączy się z trybu Wysoki na Niski lub jeśli nagrzewnica jest już w trybie Niski, całkowicie się wyłączy.

Po przełączeniu z trybu Wysoki na Niski urządzenie wyemituje 3 sygnały dźwiękowe, a wyświetlacz cyfrowy będzie migał "88" 3 razy przed wyświetleniem istniejącego stanu nagrzewania.

Po przełączeniu z trybu Niski na Off urządzenie wyemituje 3 sygnały dźwiękowe, a wyświetlacz cyfrowy będzie ciągle migał "88".

Aby zresetować funkcję ogrzewania, patrz rozdział "Obsługa pilota".

UWAGA

Podczas pierwszego uruchomienia nagrzewnicy może pojawić się delikatny zapach. Jest to normalne zjawisko i nie powinno się powtórzyć, chyba że nagrzewnica nie będzie używana przez dłuższy czas.

UWAGA

Aby usprawnić działanie, **skieruj** pilota na przód kominka. **NIE naciskaj przycisków za szybko**. Odczekaj chwilę aż urządzenie zareaguje na poszczególne komendy.

Sterowanie ograniczeniem temperatury

Nagrzewnica wyposażona jest w sterowanie ograniczeniem temperatury. W przypadku osiągnięcia niebezpiecznie wysokiej temperatury, nagrzewnica wyłączy się. W celu przywrócenia pracy:

1. Odłącz przewód zasilający od gniazdka.
2. Przełącz przełącznik ON/OFF na PANELU STEROWANIA na OFF. **Odczekaj 5 minut**.
3. Sprawdź czy kratki wentylacyjne kominka nie są zakryte lub zatkane kurzem. W przypadku zatkania, użyj odkurzacza w celu ich oczyszczenia.
4. Z przełącznikiem ustawionym w pozycji OFF, ponownie podłącz przewód zasilający do gniazdka.
5. Jeżeli problem nie ustępuje, zleć sprawdzenie gniazdka i okablowania przez specjalistę.

Informacja o bateriach pilota

- W tym pilocie zastosowano 3 baterie typu AAA (3 x 1,5V).



NIGDY nie należy wrzucać baterii do **ognia**. Postępowanie niezgodne z tym wymogiem **może grozić wybuchem**. Zużyte baterie należy wrzucać do specjalnie oznakowanych pojemników lub przekazać do Punktu Selektywnej Zbiórki Odpadów Komunalnych.

Czyszczenie i konserwacja

Czyszczenie



Przed przystąpieniem do czyszczenia, konserwacji lub przenoszenia kominka, należy **ZAWSZE wyłączyć** nagrzewnicę i **odłączyć przewód zasilający z gniazdka**. Niezastosowanie się do tego wymogu może skutkować **porażeniem prądem, wzniesieniem ognia lub obrażeniami ciała**.



NIGDY nie zanurzaj urządzenia w wodzie ani nie spryskuj wodą. Takie postępowanie może skutkować **porażeniem prądem, wzniesieniem ognia lub obrażeniami ciała**.

Elementy metalowe:

- Polerować suchą ściereczką, delikatnie zwilżoną w preparacie czyszczącym na bazie olejków cytrusowych.
- **NIE** używać środków do polerowania miedzi lub domowych środków czyszczących, ponieważ produkty te uszkodzą metalowe wykończenie.

Elementy szklane:

- Stosować wysokiej jakości środek do mycia powierzchni szklanych, rozpylany na ściereczkę lub ręcznik. Osuszyć dokładnie ręcznikiem papierowym lub niestrzępiącą się ściereczką.
- **NIGDY** nie używać ściernych środków czyszczących, aerozoli lub innych produktów mogących zarysować powierzchnię.

Kratki wentylacyjne:

- Usunąć kurz i brud z nagrzewnicy i powierzchni kratki za pomocą odkurzacza lub ściereczki do kurzu.

Elementy z tworzywa:

- Przetrzeć delikatnie za pomocą ściereczki, lekko nawilżonej łagodnym roztworem płynu do naczyń i ciepłej wody.
- **NIGDY** nie używać ściernych środków czyszczących, aerozoli lub innych produktów mogących zarysować powierzchnię.

Konserwacja



Ryzyko porażenia prądem! NIE OTWIERAJ żadnych paneli! Urządzenie nie zawiera części przeznaczonych do samodzielnej naprawy!



Przed przystąpieniem do czyszczenia, konserwacji lub przenoszenia kominka, należy **ZAWSZE wyłączyć** nagrzewnicę i **odłączyć przewód zasilający z gniazdka**. Niezastosowanie się do tego wymogu może skutkować **porażeniem prądem, wzniesieniem ognia lub obrażeniami ciała**.

Elementy elektryczne i ruchome:

- Silniki wentylatorów zostały fabrycznie nasmarowane i nie wymagają późniejszego smarowania.
- Elementy elektryczne są zintegrowane w urządzeniu i nie są mogą być samodzielnie naprawiane.

Przechowywanie:

- Nieużywane urządzenie należy przechowywać w czystym, suchym miejscu.



OSTRZEŻENIE! Wewnętrzne elementy elektryczne **NIE SĄ PRZEZNACZONE** do samodzielnej naprawy przez użytkownika.

▲ OSTRZEŻENIE

PRZED JAKĄKOLWIEK CZYNNOŚCIĄ SERWISOWĄ, ODŁĄCZ URZĄDZENIE CAŁKOWICIE OD ZASILANIA I POCZEKAJ AŻ OSTYGNIE. URZĄDZENIA ELEKTRYCZNE MOGĄ BYĆ SERWISOWANE I NAPRAWIANE WYŁĄCZNIE PRZEZ WYKWALIFIKOWANY PERSONEL SERWISU.

Problem	Możliwa przyczyna	Rozwiązanie
1. Kominek wyłącza się i nie można go ponownie włączyć.	1. Kominek przegrzał się i zabezpieczenie spowodowało zadziałanie wyłącznika termicznego lub został wyzwolony wyłącznik obwodu zasilania.	1. Zresetuj zabezpieczenie poprzez przełączenie wyłącznika zasilania na OFF i odczekanie 10 minut, a następnie ponowne jego załączenie lub wciśnij wyłącznik samoczynny obwodu zasilania.
2. Płomień nie porusza się.	1. Luźne przewody. 2. Uszkodzony silniczek mechanizmu płomienia. 3. Palnik nie jest na swoim miejscu.	1. Sprawdź okablowanie pod kątem luźnych połączeń. 2. Skontaktuj się z autoryzowanym serwisantem w celu wymiany silniczka. 3. Palnik mógł przesunąć się w trakcie transportu/przenoszenia. Czynności naprawcze wymagają zdemontowania przedniej szyby, obrócenia kominka do góry dnem, usunięcia zestawu śrub mocujących spodnią płytę i umieszczeniu palnika z powrotem na swoim miejscu.
3. Płomień jest niewidoczny.	1. Luźne przewody.	1. Odłącz przewód od źródła zasilania i sprawdź pod kątem luźnych połączeń. Napraw lub wymień w razie konieczności. 2. Naciśnij przycisk płomienia aby zwiększyć siłę efektu.
4. Zestaw polan nie żarzy się.	1. Luźne przewody. 2. Funkcja żarzenia jest wyłączona.	1. Odłącz przewód od źródła zasilania i sprawdź pod kątem luźnych połączeń. Napraw lub wymień w razie konieczności. 2. Naciśnij przycisk żarzenia aby zwiększyć siłę efektu.
5. Pilot nie działa.	1. Wyczerpane baterie. 2. Nieprawidłowo skierowany nadajnik sygnału. 3. Uszkodzony pilot i/lub czujnik.	1. Wymień baterie w pilocie. 2. Skieruj nadajnik na czujnik umieszczony bezpośrednio za szklanym panelem na środku urządzenia nad polanami. 3. Wymień pilota i/lub czujnik.
6. Kominek nie uruchamia się pomimo przełączenia wyłącznika w pozycję ON.	1. Kominek nie został podłączony do gniazdka elektrycznego. 2. Usterka sterowania. 3. Wyzwolenie bezpiecznika.	1. Sprawdź wtyczkę. 2. Skontaktuj się z autoryzowanym serwisem. 3. Ponownie załącz wyłącznik automatyczny.

7. Po załączeniu nagrzewnica nie emituje ciepła.	1. Zadziałanie wyłącznika termicznego.	1. Wyłącz urządzenie i odłącz je od zasilania na 10 minut. Podłącz wtyczkę ponownie i załącz urządzenie. Jeżeli wtyczka nie jest dostępna, postępuj zgodnie z instrukcjami dotyczącym wyzwolonego zabezpieczenia różnicowoprądowego.
	2. Luźne przewody.	2. Odłącz przewód od źródła zasilania i sprawdź pod kontem luźnych połączeń. Napraw lub wymień w razie konieczności.
	3. Usterka nagrzewnicy.	3. Wymień nagrzewnicę.

UWAGA: W celu zdemontowania szklanego panelu, zlokalizuj dwie śruby po obu stronach frontu urządzenia (z lewej i prawej strony). Po ich odkręceniu, wysuń szybę w górę i wyjmij ją z kominka. Po usunięciu spodniej płyty widoczny będzie jeden silniczek płomienia z prawej strony, gdzie powinien być osadzony palnik razem z gumowymi uszczelkami.

Należy pamiętać o odłączeniu urządzenia od zasilania przed przystąpieniem do jakichkolwiek prac. Szybę jak i całe urządzenie należy zawsze kłaść na ręczniku lub innym materiale, który nie spowoduje uszkodzenia elementów/ramy.

Cała ta procedura nie powinna zająć więcej niż 20-30 minut.

Benutzerhandbuch

■ AV-WM36IMP

■ AV-WM43IMP

■ AV-WM50IMP

■ AV-WM60IMP

■ AV-WM72IMP



IMPERIAL 36"/43"/50"/60"/72"
Wandmontage / elektrischer Einbaukamin

AC 220V-240V 50Hz 1400-1600 W

⚠️ WARNUNG

Bevor Sie das Gerät anschließen oder benutzen, lesen Sie genau das gesamte Benutzerhandbuch, einschließlich aller Sicherheitshinweise. Andernfalls kann es zu Bränden, Stromschlägen oder schweren Verletzungen kommen.

⚠️ ACHTUNG

Bewahren Sie dieses Handbuch auf, um es in der Zukunft zu verwenden. Wenn Sie das Gerät verkaufen oder übergeben, ist es wichtig, dass Sie dem **Gerät dieses Handbuch beilegen.**



WICHTIGE SICHERHEITSHINWEISE:

WARNUNG

Bei der Verwendung von elektrischen Geräten sind die grundlegenden Vorsichtsmaßnahmen zu beachten, um das Risiko von Bränden, elektrischen Schlägen und Verletzungen zu verringern, und folgende Punkte zu beachten:

- Lesen Sie alle Anweisungen, bevor Sie dieses Gerät verwenden.
- Das Gerät erwärmt sich während des Betriebs. Um Verbrennungen zu vermeiden, berühren Sie keine heißen Oberflächen. Verwenden Sie, falls vorhanden, Griffe, um das Gerät zu tragen. Halten Sie brennbare Materialien wie Möbel, Kissen, Bettwäsche, Dokumente, Kleidung und Vorhänge mindestens 1 Meter von der Vorderseite des Gerätes entfernt. Halten Sie alle diese Gegenstände von den Seiten und der Rückseite des Gerätes fern. Um Überhitzung zu vermeiden, bedecken Sie das Gerät nicht.
- Besondere Vorsicht ist geboten, wenn Sie das Heizgerät in der Nähe von Kindern oder Menschen mit Behinderungen benutzen und wenn es unbeaufsichtigt eingeschaltet bleibt.
- Trennen Sie das Gerät bei Nichtgebrauch vom Stromnetz.
- Schalten Sie das Gerät nicht ein, wenn das Netzkabel oder der Stecker beschädigt ist oder wenn das Gerät gestört ist, aus der Höhe fällt. Senden Sie das Gerät zur Inspektion, Einstellung oder Reparatur zum autorisierten Service.
- Das Gerät ist nur zum Gebrauch im Innenbereich bestimmt.
- Verwenden Sie das Gerät nicht in Badezimmern, Wäschereien oder ähnlichen Räumen. Stellen Sie das Gerät niemals an einen Ort, wo es in eine Badewanne oder einen anderen Wasserbehälter fallen kann.
- Verlegen Sie das Netzkabel nicht unter einem Teppichboden. Decken Sie das Netzkabel nicht mit Teppichen, Laufteppichen oder anderen Abdeckungen ab. Verlegen Sie das Kabel weg von häufig verwendeten Bereichen und vermeiden Sie Stolperfallen.
- Um das Gerät vom Stromnetz zu trennen, schalten Sie alle Leuchten auf "OFF" und ziehen Sie dann den Netzstecker aus der Steckdose.
- Stecken oder lassen Sie keine Gegenstände in die Lüftungsöffnungen oder Zuluftöffnungen, da dies zu Stromschlag, Feuer oder Beschädigung des Geräts führen kann.
- Um die Brandgefahr zu vermeiden, dürfen die Luftein- und -auslässe nicht blockiert werden. Verwenden Sie das Gerät nicht auf weichen Oberflächen wie z.B. Betten, wo Öffnungen blockiert werden können.
- Der Kamin hat Heizelemente drin, die Funken und Bögen erzeugen können. Verwenden Sie das Gerät nicht in Lagerräumen mit Benzin, Farbe oder anderen brennbaren Flüssigkeiten.
- Verwenden Sie den Kamin nur gemäß dieser Anleitung. Jede andere Verwendung, die vom Hersteller nicht empfohlen wird, kann zu Feuer, Stromschlag oder Verletzungen führen.
- GEFAHR - Bei unsachgemäßen Betriebsbedingungen können HOHE Temperaturen erzeugt werden. Decken Sie die Vorderseite des Heizgerätes ganz oder teilweise nicht ab.
- Die Lampen dürfen erst nach dem Trennen des Kamins von der Stromversorgung gewechselt werden.
- Dieses Gerät ist nicht für die Verwendung durch Personen (einschließlich Kinder) mit eingeschränkten körperlichen, geistigen oder sensorischen Fähigkeiten oder mangelnden angemessenen Kenntnissen oder Erfahrungen bestimmt, es sei denn, sie werden von einer für ihre Sicherheit verantwortlichen Person beaufsichtigt oder unterwiesen. Achten Sie darauf, dass Kinder nicht mit dem Gerät spielen.
- ACHTUNG: Um das Risiko eines versehentlichen Zurücksetzens der thermischen Überlastschalter zu vermeiden, darf der Wandkamin nicht an ein externes Schaltgerät, wie beispielsweise ein Programmiergerät, oder einen Schaltkreis mit zyklischem Ein- und Ausschalten angeschlossen werden.

Vorbereitung



Dieses Produkt ist mit einer **Glasplatte** ausgestattet! Seien Sie beim Umgang mit **Glas** immer besonders vorsichtig. Andernfalls kann es zu Personen- oder Sachschäden kommen.

Entfernen Sie alle Komponenten und Befestigungselemente aus dem Karton und legen Sie sie auf einen sauberen, weichen und trockenen Untergrund. Überprüfen Sie die Stückliste, um sicherzugehen, dass nichts fehlt. Entsorgen Sie das Verpackungsmaterial ordnungsgemäß. Wenn möglich, geben Sie Abfälle immer zur Wiederverwertung ab.

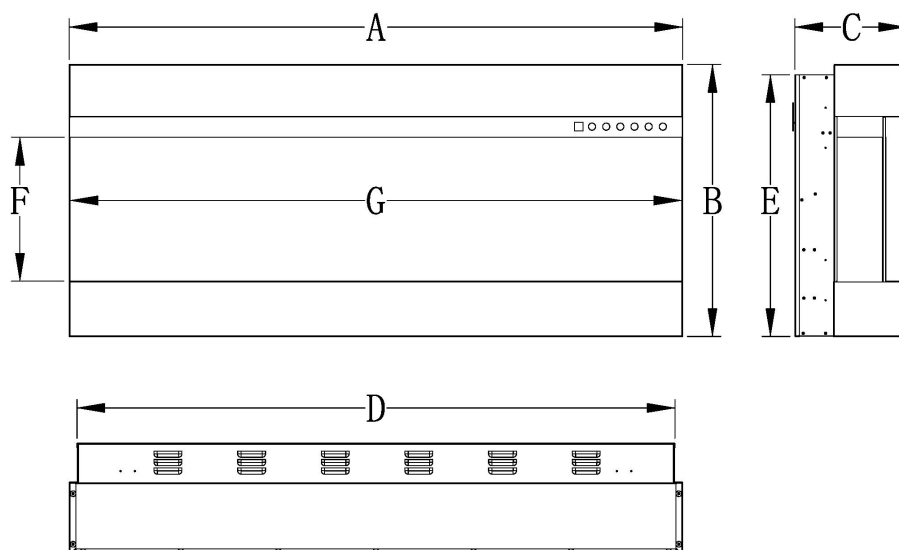
Folgende Werkzeuge werden benötigt (nicht im Lieferumfang enthalten):

Kreuzschlitzschraubendreher; Wasserwaage; Maß; Bohrer; Hammer.

Komponenten und Befestigungselemente

<p>A – Kamin</p>			
	<p>B – Holzschrauben</p>		<p>C – Anker</p>
	<p>Fernbedienung</p>	<p>E-Metallhalterung (Unten - Kurz)</p>	<p>F- Metallhalterung (Top - Länger)</p>
<p>G - Wandhalterung Montiert auf der Rückseite des Gehäuses</p>	<p>H-Kristalle</p>	<p>I - Holzscheite</p>	<p>J - Kunststoffschale</p>

Spezifikation und Dimension



PRODUKTABMESSUNGEN

Modellnummer	A	B	C	D	E	F	G
AV-WM36IMP	36.6" 93cm	19.1" 48.4cm	7.9" 20cm	35.5" 90.2cm	18.3" 46.56cm	10.1" 25.61cm	36.4" 92.57cm
AV-WM43IMP	43.3" 110.2cm	19.1" 48.4cm	7.9" 20cm	42.2" 107.22cm	18.3" 46.56cm	10.1" 25.61cm	43.1" 109.6cm
AV-WM50IMP	50" 127cm	19.1" 48.4cm	7.9" 20cm	48.9" 124.2cm	18.3" 46.56cm	10.1" 25.61cm	49.8" 126.57cm
AV-WM60IMP	60" 152.4cm	19.1" 48.4cm	7.9" 20cm	58.9" 149.6cm	18.3" 46.56cm	10.1" 25.61cm	59.8" 151.97cm
AV-WM72IMP	72" 182.8cm	19.1" 48.4cm	7.9" 20cm	70.9" 180cm	18.3" 46.56cm	10.1" 25.61cm	71.8" 182.37cm

Montage und Installation

Das Gerät ist für die Montage an der Wand, im Einbausystem und/oder im Gehäuse bestimmt. Wählen Sie einen Ort, der für Feuchtigkeit nicht anfällig ist und sich nicht in der Nähe von Vorhängen, Möbeln und starkem Verkehr befindet.

ACHTUNG: Beachten Sie alle nationalen und lokalen Elektrovorschriften.

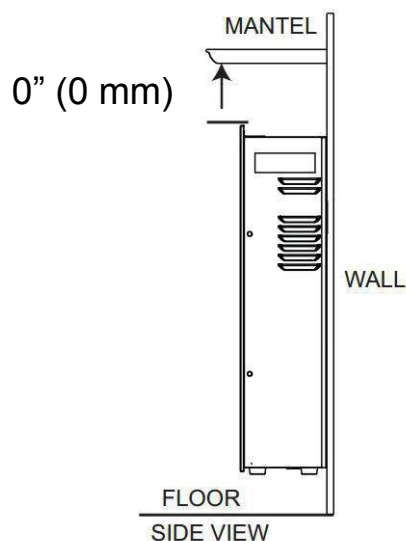
MINDESTABSTAND ZU BRENNBAREN MATERIALIEN

Die Messungen erfolgen von der Glasfront aus.			
Unten	0"	Oben	8" (300mm) vom Gehäuse
Seitenwände	0"	Oben	8" (300mm) von der Decke
Hinten	0"		

MINDESTABSTAND ZUM GEHÄUSE

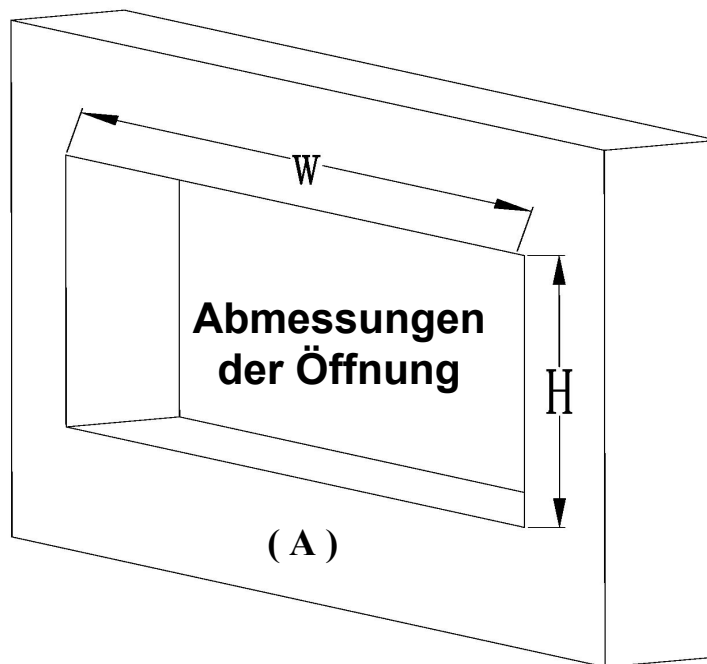
ACHTUNG

BEI DER VERWENDUNG VON FARBEN ODER LACKEN ZUR FERTIGSTELLUNG DES GEHÄUSES MUSS DIE FARBE ODER DER LACK HITZEBESTÄNDIG SEIN, UM VERFÄRBUNGEN ZU VERMEIDEN.



MONTAGE IM EINBAUSYSTEM

HINWEIS: Installieren Sie den Kamin so, dass er im Fehlerfall zu Servicezwecken von der Wand entfernt werden kann.

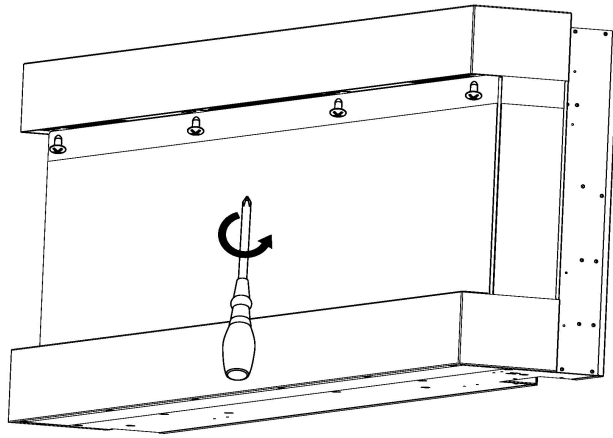


Schritt A. Trockenputzwand für die Öffnung für den Kamin wählen. Die Abmessungen der Öffnung sind der folgenden Tabelle zu entnehmen. **Abbildung (A)**

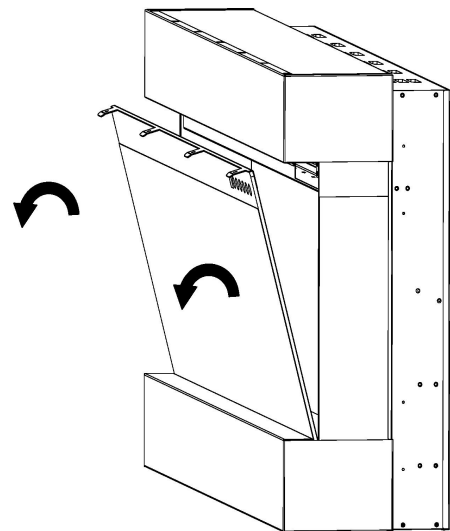
Abmessungen der Öffnung		
Modellnummer	W	H
AV-WM36IMP	35.9" (91.2CM)	18.84" (47.86CM)
AV-WM43IMP	42.71" (108.3CM)	18.84" (47.86CM)
AV-WM50IMP	49.29" (125.2CM)	18.84" (47.86CM)
AV-WM60IMP	59.29" (150.6CM)	18.84" (47.86CM)
AV-WM72IMP	71.25" (181CM)	18.84" (47.86CM)

SCHRITT B. Entfernen Sie mit dem Schraubendreher die Schrauben von der Vorderseite. **Abbildung (B)**

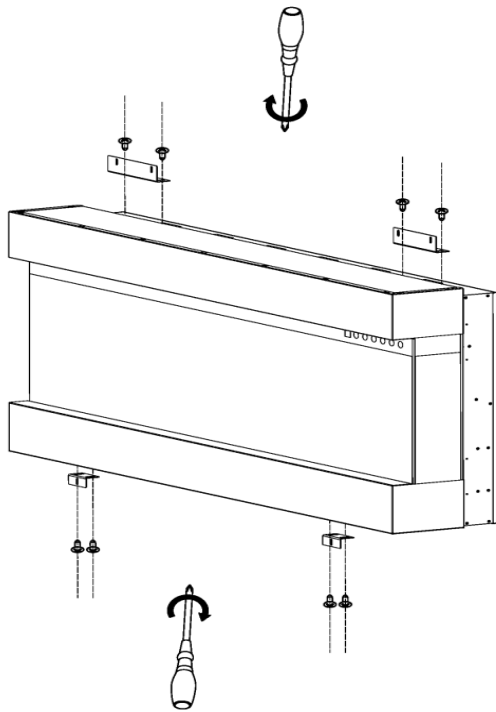
SCHRITT C. Lassen Sie zwei erwachsene Personen an der Glasscheibe ziehen und sie herausnehmen. **Abbildung (C)**



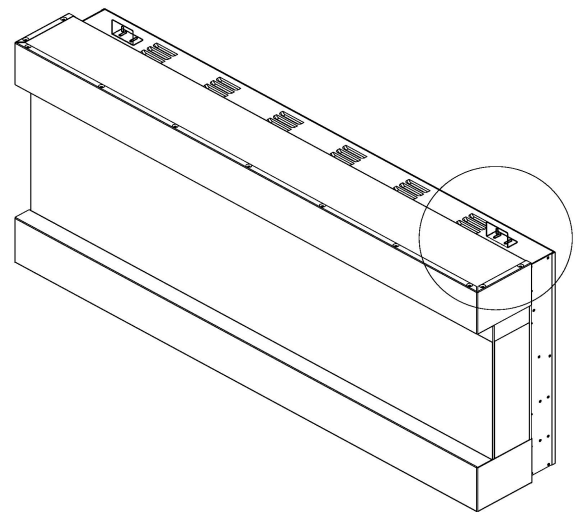
(B)



(C)



(D)

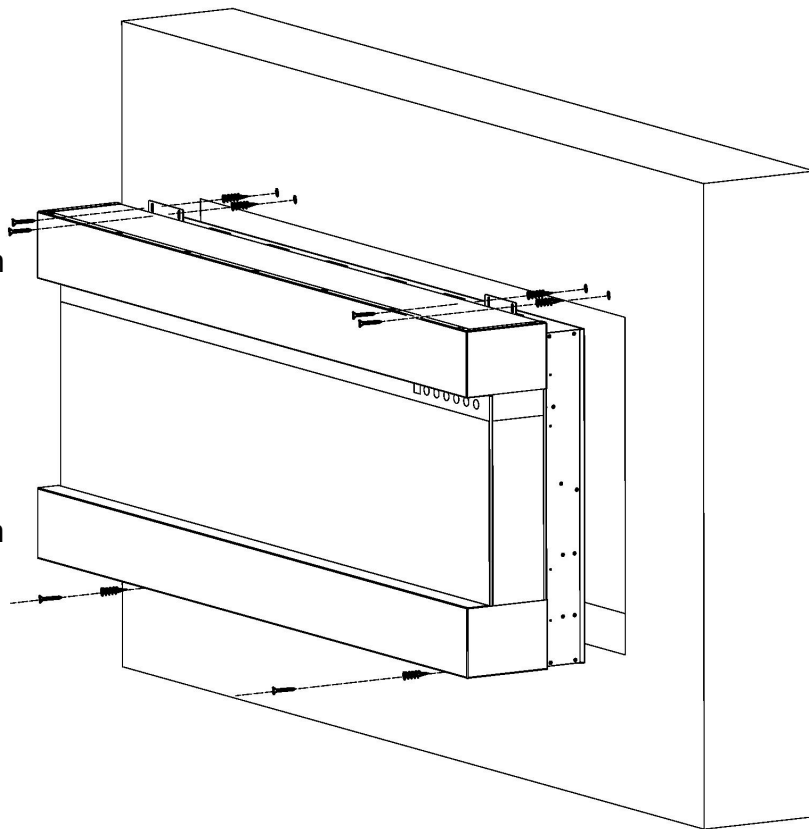


(E)

SCHRITT D. Befestigen Sie die Metallhalterungen (E) unten und (F) oben an der Kaminbox.
Abbildung (D, E)

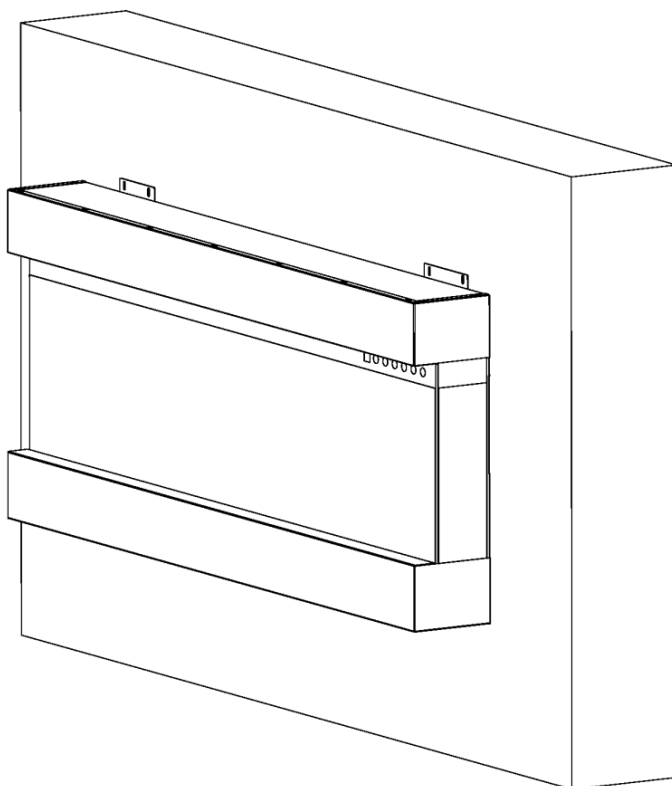
HINWEIS: Metallhalterungen können als beweglich verwendet werden. Passen Sie sie bei Bedarf an die beste Stelle an

SCHRITT E. Lassen Sie zwei erwachsene Personen die Kaminbox anheben und in das Wandöffnungsloch stecken. Befestigen Sie mit dem Schraubendreher alle Holzschrauben und Trockenbauanker durch die Metallhalterungen an der Wand und befestigen Sie sie fest. **HINWEIS:** Stellen Sie sicher, dass alle Schrauben und Trockenbauanker gut verschraubt sind.



(F)

SCHRITT F. Ihr elektrischer Kamin sieht nach der Installation wie folgt aus



WANDMONTAGE

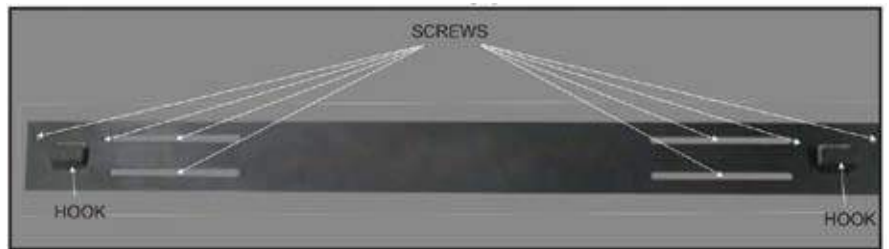
Aufgrund der vielen diversen Materialien, die an verschiedenen Wänden verwendet werden, ist es ratsam, vor der Installation dieses Gerätes an der Wand einen Fachmann zu konsultieren.

A. Wählen Sie einen Ort, der für Feuchtigkeit nicht anfällig ist und mindestens 100 cm von brennbaren Materialien wie Vorhängen, Möbeln, Bettwäsche, Papier usw. entfernt ist.

B. Um den endgültigen Standort zu bestimmen, benötigen Sie zwei Personen, die das Gerät halten.

C. Legen Sie das Gehäuse mit der Front auf eine weiche, nicht scheuernde Oberfläche. Entfernen Sie die Halterung an der Rückseite des Gerätes, indem Sie die Schrauben lösen, siehe Abbildung 1.

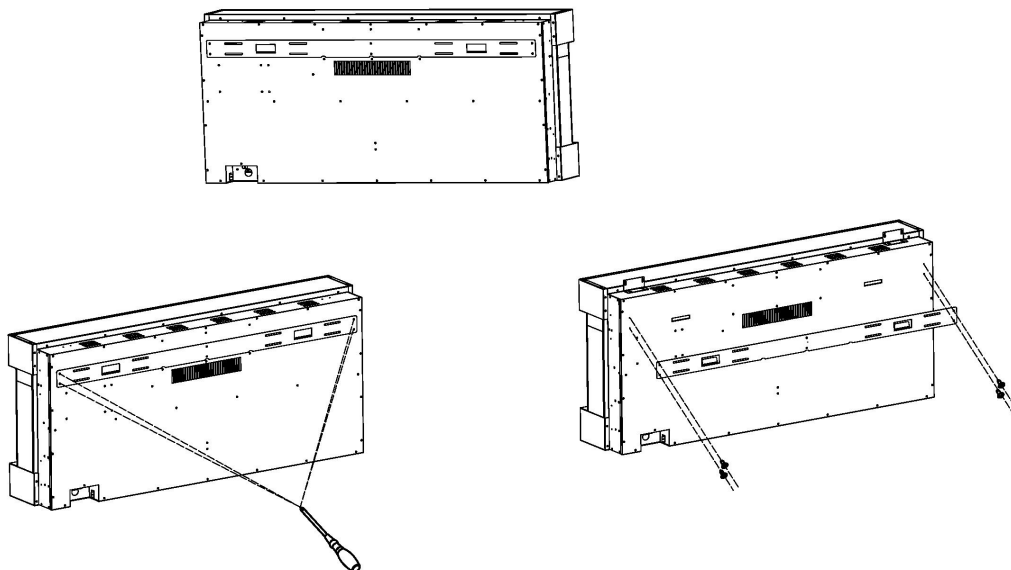
D. Markieren Sie die Position und befestigen Sie die Halterungen mit den mitgelieferten Schrauben an der Wand. Die Haken der Halterung **MÜSSEN** nach oben zeigen und die Halterung selbst muss eben sein.



ACHTUNG: Es wird dringend empfohlen, die Montagehalterung (E) nach Möglichkeit mit Dübeln zu verschrauben. Wenn Sie keine Wandschrauben verwenden können, stellen Sie sicher, dass die mitgelieferten Kunststoffanker zur Befestigung der Halterung an der Wand verwendet werden und die Halterung ordnungsgemäß befestigt ist.

E. Nach der Montage der Wandhalterung das Gerät mit Hilfe einer anderen Person anheben und die beiden Halterungshaken in die Öffnungen auf der Rückseite des Gerätes setzen.

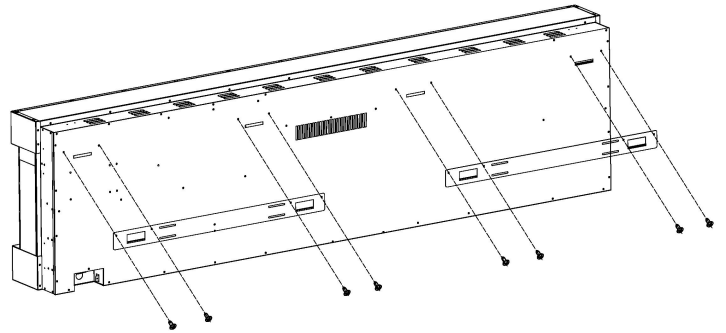
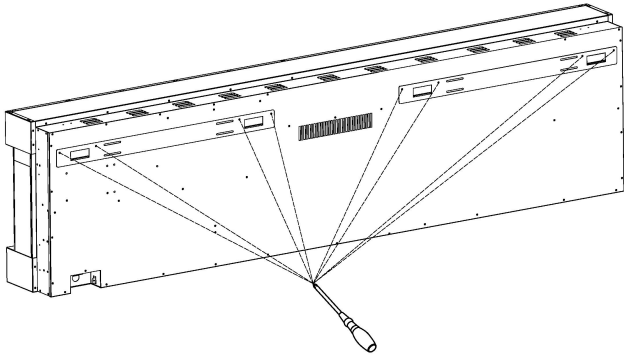
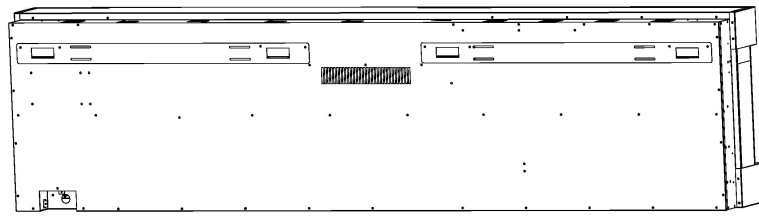
F. Überprüfen Sie die Stabilität des Gerätes, indem Sie sich vergewissern, dass die Halterung nicht aus der Wand rutscht.



AV-WM36-50IMP

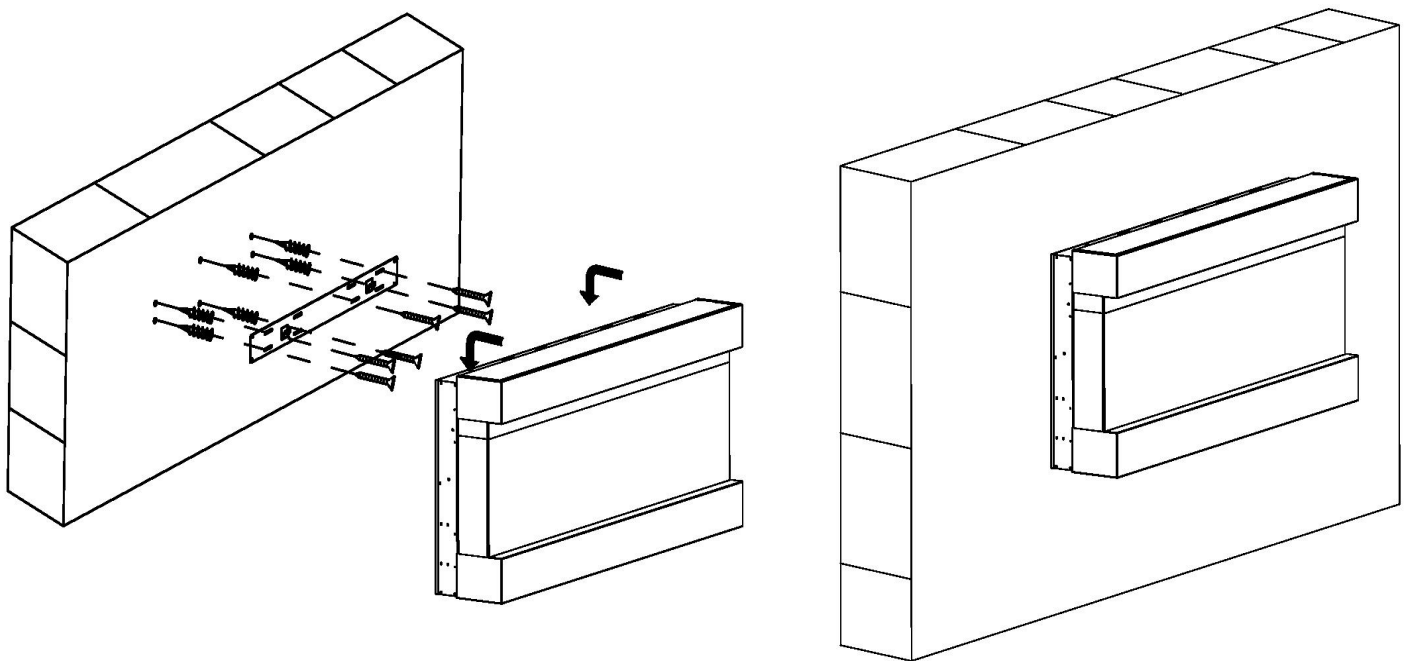
www.aflamo.com

46



AV-WM60-72IMP

G. Ihr elektrischer Kamin sieht nach der Installation wie folgt aus



Montage der Holzscheite / Kristallen

(HINWEIS: Montieren Sie den Kamin entsprechend dem gekauften oder ausgewählten Kamineinsatz)

A. Die Glasfront muss entfernt und das Gerät an seinem endgültigen Standort montiert werden, bevor das Protokoll / der Kristall / die Glut installiert wird.

B. Wenn Ihr Kamin mit einem Protokollsatz geliefert wird, nehmen Sie den Protokollsatz aus der Verpackung und legen Sie ihn in den Medienschlitz des Kamins. **Abbildung 1.**

C. Um zu Kristallen zu wechseln, nehmen Sie zuerst das Log-Set aus dem Kaminschlitz und stellen Sie dann die Kunststoffschale (**J**) an die vom Kamin vorgesehene Stelle. Legen Sie dann die Kristallglut vorsichtig wie abgebildet in die Kunststoffschale. Tragen Sie eine gleichmäßige Schicht von Seite zu Seite auf. **Abbildung 2, Abbildung 3.**

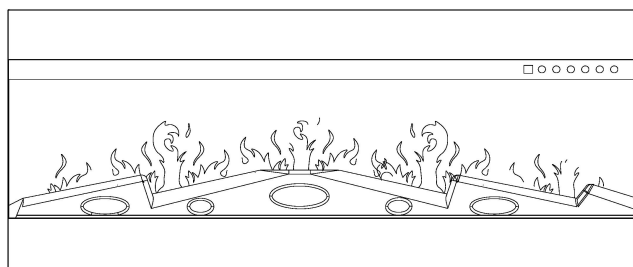


Abbildung 1

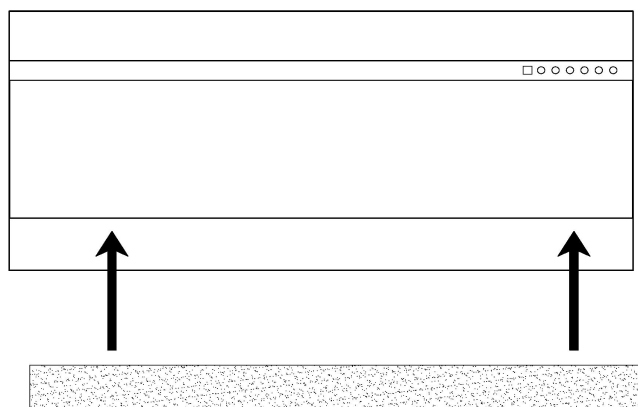


Abbildung 2



Abbildung 3. (Kristalle)

Bedienung



Bevor Sie das Gerät anschließen oder in Betrieb nehmen, lesen Sie das gesamte Benutzerhandbuch genau durch, einschließlich aller Sicherheitshinweise. Andernfalls kann es zu Stromschlag, Feuer, schweren Verletzungen oder zum Tod kommen.

Stromanschluss

Schließen Sie das Netzkabel an eine 220-240-V-Steckdose an (siehe **WICHTIGE SICHERHEITSHINWEISE** auf Seiten 2 und 3). Vergewissern Sie sich, dass die Steckdose einwandfrei funktioniert und der Stecker nicht locker ist. Überschreiten Sie **NIEMALS** den zulässigen Strom für den Schaltkreis. Schließen Sie **KEINE** anderen Geräte an den gleichen Stromkreis an.

Bedienung




Der Kamin kann über ein TOUCHPANEL, das sich vorne am Kamin befindet, oder über eine batteriebetriebene Fernbedienung bedient werden.

Die Bedienung und Funktionen beider Modi sind identisch.

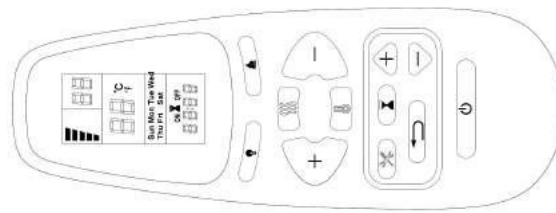
Vor der Inbetriebnahme lesen Sie die **WICHTIGEN SICHERHEITSHINWEISE** auf Seiten 2 und 3 und folgen Sie ihnen.





Bedienfeld / Fernbedienung

TASTE	FUNKTION	BETRIEB UND SIGNALISIERUNG
 POWER	EIN: Aktiviert die Funktionen des Bedienfeldes und der Fernbedienung. Aktiviert den Flammeneffekt. AUS: Sperrt die Funktionen des Bedienfeldes und der Fernbedienung. Deaktiviert den Flammeneffekt.	1. Einmal drücken: Die Leuchte leuchtet auf. Die Spannung schaltet ein. Alle Funktionen aktiv. 2. Noch einmal drücken: Flammeneffekt ausgeschaltet. Gerät im Stand-by-Modus. Alle Funktionen inaktiv.
 TIMER	Programmiergerät-Taste: Einstellung des Programmiergerätes zwecks Ausschalten des Kamins um eine bestimmte Uhrzeit. Einstellbereich von 0,5 bis 8 Stunden.	1. Einmal drücken: Die Leuchte leuchtet auf. Programmiergerät auf 0,5 Stunde eingestellt. 2. Weiterhin drücken, bis die gewünschte Einstellung erreicht ist. Die Kontrollleuchte zeigt die Einstellung an.
 FLAME	Flammen-TASTE: Einstellung der Flammenhelligkeit. ACHTUNG: Der Flammeneffekt bleibt an, bis die Power-Taste gedrückt wird. Der Flammeneffekt muss eingeschaltet sein, um das Heizelement zu starten.	1. Einmal drücken: Änderung der Helligkeit des Flammeneffekts. 2. Nochmals drücken, bis die gewünschte Einstellung erreicht ist.


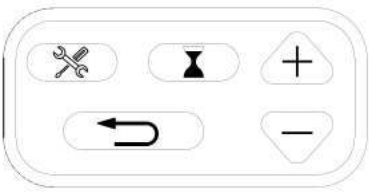



 <p>COLOR</p>	<p>FARB-Taste: Änderung der Farbe des Flammeneffekts.</p> <p>ACHTUNG: Der Farbeffekt bleibt aktiv, bis die Power-Taste gedrückt wird. Der Farbeffekt für die Flamme muss eingeschaltet sein, um das Heizelement zu starten.</p>	<ol style="list-style-type: none"> 1. Einmal drücken: Änderung der Flammenfarbe. 2. Nochmals drücken, bis die gewünschte Einstellung erreicht ist. Drei Farben verfügbar.
 <p>HEATER</p>	<p>HEIZELEMENT-TASTE Schaltet das Heizelement ein und aus.</p> <p>ACHTUNG: Das Heizelement funktioniert nur, wenn der Flammeneffekt aktiv ist. Wenn der Flammeneffekt ausgeschaltet ist, schaltet das Heizelement nicht ein.</p> <p>ACHTUNG: Um Überhitzung zu vermeiden, bläst der Lüfter des Heizelementes 10 Sekunden lang kühle Luft, bevor das Heizelement eingeschaltet und nachdem es ausgeschaltet wird.</p>	<ol style="list-style-type: none"> 1. Einmal drücken. Die Kontrollleuchte leuchtet auf. Der Lüfter bläst 10 Sekunden lang kühle Luft. Das niedrige Niveau des Heizelementes schaltet ein und führt warme Luft zu. 2. Noch einmal drücken. Die Kontrollleuchte leuchtet. Das hohe Niveau des Heizelementes schaltet ein und führt warme Luft zu. 3. Noch einmal drücken. Das Heizelement schaltet aus. Der Lüfter bläst 10 Sekunden lang kühle Luft und ermöglicht die Abkühlung des Heizelementes, das anschließend ausschaltet.
	<p>Beleuchtungstaste für Holzscheite Lässt die Farbe am unteren Rand des Effekts ändern.</p> <p>ACHTUNG: Der Farbeffekt bleibt aktiv, bis die Power-Taste gedrückt wird.</p>	<ol style="list-style-type: none"> 1. Einmal drücken. Änderung der Beleuchtungsfarbe. 2. Nochmals drücken, bis die gewünschte Einstellung erreicht ist. Erhältlich in 10 Farben. 3. Automatischer Zyklus: 11 mal drücken und die Farben der Beleuchtung ändern sich automatisch

Bedienung der Fernsteuerung

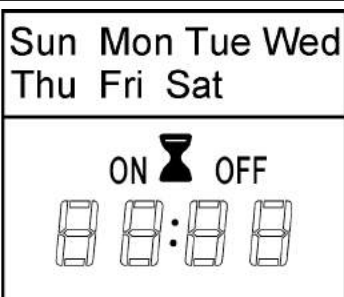



TASTE	FUNKTION	BETRIEB UND SIGNALISIERUNG
 POWER	<p>EIN: Aktiviert die Funktionen des Bedienfeldes und der Fernbedienung. Aktiviert den Flammeneffekt.</p> <p>AUS: Sperrt die Funktionen des Bedienfeldes und der Fernbedienung. Deaktiviert den Flammeneffekt.</p>	<ol style="list-style-type: none"> Einmal drücken: Die Leuchte leuchtet auf. Die Spannung schaltet ein. Alle Funktionen aktiv. Noch einmal drücken: Flammeneffekt ausgeschaltet. Gerät im Stand-by-Modus. Alle Funktionen inaktiv.
	<p>FARB-Taste: Änderung der Farbe des Flammeneffekts.</p> <p>ACHTUNG: Der Farbeffekt bleibt aktiv, bis die Power-Taste gedrückt wird. Der Farbeffekt für die Flamme muss eingeschaltet sein, um das Heizelement zu starten.</p>	<ol style="list-style-type: none"> Einmal drücken: Änderung der Flammenfarbe. Nochmals drücken, bis die gewünschte Einstellung erreicht ist.
	<p>Flammen-TASTE: Einstellung der Flammenhelligkeit.</p> <p>ACHTUNG: Der Flammeneffekt bleibt an, bis die Power-Taste gedrückt wird. Der Flammeneffekt muss eingeschaltet sein, um das Heizelement zu starten.</p>	<ol style="list-style-type: none"> Einmal drücken: Änderung der Helligkeit des Flammeneffekts. Nochmals drücken, bis die gewünschte Einstellung erreicht ist.
 HEATER	<p>HEIZELEMENT-TASTE Schaltet das Heizelement ein und aus.</p> <p>ACHTUNG: Das Heizelement funktioniert nur, wenn der Flammeneffekt aktiv ist. Wenn der Flammeneffekt ausgeschaltet ist, schaltet das Heizelement nicht ein.</p> <p>ACHTUNG: Um Überhitzung zu vermeiden, bläst der Lüfter des Heizelementes 10 Sekunden lang kühle Luft, bevor das Heizelement eingeschaltet und nachdem es ausgeschaltet wird.</p>	<ol style="list-style-type: none"> Einmal drücken. Die Kontrollleuchte leuchtet auf. Der Lüfter bläst 10 Sekunden lang kühle Luft. Das niedrige Niveau des Heizelementes schaltet ein und führt warme Luft zu. Noch einmal drücken. Die Kontrollleuchte leuchtet. Das hohe Niveau des Heizelementes schaltet ein und führt warme Luft zu. Noch einmal drücken. Das Heizelement schaltet aus. Der Lüfter bläst 10 Sekunden lang kühle Luft und ermöglicht die Abkühlung des Heizelementes, das anschließend ausschaltet.

EINSTELLUNG DES PROGRAMMIERGERÄTES MIT DER FERNBEDIENUNG








 Timer: Zeigt den aktuellen Tag, die aktuelle Uhrzeit und die aktuelle Woche an. Drücken, um die Einstellungen einzugeben oder zu bestätigen.	
 Einstellungen: Drücken, um zum nächsten Schritt zu wechseln (mit der Taste Timer verwenden). Drücken, um das Wochenprogramm zu bestätigen.	
 Zurück: Drücken, um die Einstellungen zu löschen. Drücken, um zum vorherigen Schritt zurückzukehren (mit der Taste Einstellungen verwenden).	
 Auf/Ab (mit der Taste Einstellungen verwenden).	

Digitale Anzeige:





Wochentage → Mon, Tues, Wed, Thurs, Fri, Sat, Sun		Achtung: Die Funktionen können nur eingestellt werden, wenn entsprechende Buchstaben oder Ziffern blinken. Achtung: Die Uhr auf die aktuelle Uhrzeit vor den wöchentlichen Einstellungen kalibrieren.
Zeitanzeige →		
Aktuelle Zeit / Timer von 00: 00 bis 24		

 TEMP	TEMPERATUR-Taste: Schaltet das Heizelement ein und aus.	<ol style="list-style-type: none"> Einmal drücken: Die Kontrollleuchte leuchtet auf. Die Temperatur ändert auf 18 °C. Nochmals drücken: bis die gewünschte Einstellung erreicht ist. Auf dem Display wird die Einstellung von der Tabelle angezeigt: 																																																						
	ACHTUNG: Die Taste drücken und 5 Sekunden lang gedrückt halten, die Skala wechselt von °C auf °F. Gleiches gilt bei der Änderung von °F auf °C.																																																							
	<table border="1"> <thead> <tr> <th>NO</th> <th>0</th> <th>1</th> <th>2</th> <th>3</th> <th>4</th> <th>5</th> <th>6</th> <th>7</th> <th>8</th> <th>9</th> <th>10</th> <th>11</th> <th>12</th> </tr> </thead> <tbody> <tr> <td>°C</td> <td>18</td> <td>19</td> <td>20</td> <td>21</td> <td>22</td> <td>23</td> <td>24</td> <td>25</td> <td>26</td> <td>27</td> <td>28</td> <td>29</td> <td>30</td> </tr> <tr> <td>°F</td> <td>64</td> <td>66</td> <td>68</td> <td>70</td> <td>72</td> <td>74</td> <td>76</td> <td>78</td> <td>80</td> <td>82</td> <td>84</td> <td>86</td> <td>88</td> </tr> <tr> <td></td> <td>65</td> <td>67</td> <td>69</td> <td>71</td> <td>73</td> <td>75</td> <td>77</td> <td>79</td> <td>81</td> <td>83</td> <td>85</td> <td>87</td> <td></td> </tr> </tbody> </table>		NO	0	1	2	3	4	5	6	7	8	9	10	11	12	°C	18	19	20	21	22	23	24	25	26	27	28	29	30	°F	64	66	68	70	72	74	76	78	80	82	84	86	88		65	67	69	71	73	75	77	79	81	83	85
NO	0	1	2	3	4	5	6	7	8	9	10	11	12																																											
°C	18	19	20	21	22	23	24	25	26	27	28	29	30																																											
°F	64	66	68	70	72	74	76	78	80	82	84	86	88																																											
	65	67	69	71	73	75	77	79	81	83	85	87																																												

1 Aktuellen Tag und aktuelle Uhrzeit einstellen






1. Drücken  einmal. Wenn "MON" (Montag) zu blinken beginnt, verwenden  um den aktuellen Tag zu wählen.
2. Drücken  . Wenn die Uhrzeit-Ziffern zu blinken beginnen, verwenden,  um die Uhrzeit einzustellen.
3. Drücken  nochmals. Wenn die Minuten-Ziffern zu blinken beginnen, verwenden , um die Minuten einzustellen.
4. Drücken  nochmals. Die aktuelle Uhrzeit wurde eingestellt.

2 Die Uhrzeit für das Ein-/Ausschalten und die Temperatur im Wochenprogramm einstellen

1. Drücken  . Wenn "MON" (Montag) zu blinken beginnt, 3 mal  drücken. Wenn "ON" zu blinken beginnt,  verwenden, um die gewünschte Uhrzeit für das EINSCHALTEN der Heizung zu wählen.
In beliebigem Moment  drücken, um die Ziffern zu löschen und den Timer auszuschalten.









ACHTUNG:

Der Timer kann nur in 30-Minuten-Schritten eingestellt werden (z.B. 00:00 - 00:30; 00:30 - 01:00, etc.).

2. Drücken  Wenn "OFF" zu blinken beginnt, verwenden  um die gewünschte Uhrzeit für das AUSSCHALTEN der Heizung zu wählen.
In beliebigem Moment  drücken, um die Ziffern zu löschen und den Timer auszuschalten.
3. Drücken  nochmals. Wenn "18" zu blinken beginnt,  verwenden, um die gewünschte Temperatur für Montag zu wählen.

ACHTUNG:

Wenn die Temperatur zuvor eingestellt wurde, werden diese Ziffern anstelle von "18" angezeigt.

4. Drücken  nochmals. Wenn "TUES" erscheint (Dienstag) und "ON" zu blinken beginnt,  verwenden, um die gewünschte Uhrzeit für das Einschalten der Heizung am Dienstag zu wählen.
5. Drücken  nochmals. Wenn "OFF" zu blinken beginnt,  verwenden, um die gewünschte Uhrzeit für das Ausschalten der Heizung am Dienstag zu wählen.
6. Drücken  nochmals. Wenn "18" zu blinken beginnt,  verwenden, um die gewünschte Temperatur für Dienstag zu wählen.
7. Die Schritte 1 bis 6 wiederholen, um die Ein-/Ausschaltzeit und die Temperatur für Mittwoch (WED), Donnerstag (THURS), Freitag (FRI), Samstag (SAT) und Sonntag (SUN) einzustellen
8. Drücken  oder  nochmals drücken, um die Einstellung abzuschließen, stellen Sie sicher, dass die Fernbedienung auf den Empfänger in der Mitte des Geräts zeigt. Das Gerät piept einmal, um zu bestätigen, dass die Programmierung erfolgreich war.

Warnung Offenes Fenster

Sinkt die Raumtemperatur innerhalb von 3 Minuten um 10 Grad, geht das Gerät davon aus, dass sich in der Nähe ein offenes Fenster befindet. Um Energie zu sparen, schaltet der Kamin automatisch vom Modus Hoch auf Niedrig um oder, wenn sich das Heizelement bereits im Niedrig-Modus befindet, vollständig aus.

Nach dem Wechsel vom Modus Hoch auf Niedrig gibt das Gerät 3 Pieptöne ab und die Digitalanzeige blinkt "88" 3 mal vor der Anzeige des aktuellen Heizstatus.

Nach dem Wechsel vom Modus Niedrig auf Hoch gibt das Gerät 3 Pieptöne ab und die Digitalanzeige blinkt weiterhin "88".

Um die Heizfunktion zurückzusetzen, siehe Kapitel "Fernbedienung".

ACHTUNG

Bei der ersten Inbetriebnahme des Heizelements kann ein leichter Geruch auftreten. Es ist normal und sollte nicht mehr vorkommen, es sei denn, das Heizelement wird längere Zeit nicht benutzt.

ACHTUNG

Um die Leistung zu verbessern, die Fernbedienung auf die Vorderseite des Kamins **richten. Die Tasten NICHT zu schnell drücken.** Einen Moment warten, bis das Gerät auf die Befehle reagiert.

Steuerung der Temperaturbegrenzung

Das Heizelement ist mit einer Temperaturbegrenzersteuerung ausgestattet. Wenn eine gefährlich hohe Temperatur erreicht wird, schaltet das Heizgerät aus. Um den Betrieb wieder zu aktivieren:

1. Das Netzkabel aus der Steckdose ziehe
2. Den ON/OFF-Schalter am Bedienfeld auf OFF umschalten. 5 Minuten abwarten
3. Überprüfen, ob die Lüftungsgitter des Kamins nicht abgedeckt oder mit Staub verstopft sind. Wenn die Gitter verstopft sind, diese mit einem Staubsauger reinigen.
4. Wenn der Schalter auf OFF steht, das Netzkabel wieder in die Steckdose stecke
5. Wenn das Problem weiterhin besteht, die Steckdose und die Verkabelung von einem Fachmann überprüfen lassen.

Informationen zu Batterien der Fernbedienung

^ Diese Fernbedienung verwendet zwei **AAA-Batterien** (nicht im Lieferumfang enthalten).



Entsorgen Sie die Batterien **NIEMALS** ins Feuer. Andernfalls kann es zu einer Explosion kommen. Altbatterien sollten in speziell gekennzeichneten Behältern entsorgt oder an die Sammelstelle für kommunale Abfälle abgegeben werden.

Reinigung und Wartung

Reinigung



Vor Reinigung, Wartung oder Umstellung des Kamins, das Heizelement **IMMER ausschalten** und den **Netzstecker aus der Steckdose ziehen**. Andernfalls kann es zu Stromschlag, Feuer oder Verletzungen kommen.



Das Gerät NIEMALS in Wasser tauchen oder mit Wasser besprühen. Andernfalls kann es zu Stromschlag, Feuer oder Verletzungen kommen.

Metallteile:

- Mit trockenem Tuch, sanft mit einem Reiniger auf Zitrusölbasis angefeuchtet, polieren.
- **KEINE** Messingpolier- oder Haushaltsreiniger verwenden, da diese die Metalloberfläche beschädigen könnten.

Glaselemente:

- Hochwertigen Glasflächenreiniger verwenden. Den Reiniger auf ein Tuch oder Handtuch sprühen. Mit einem Papiertuch oder einem fusselfreien Tuch gründlich trocknen.
- **NIEMALS** scheuernde Reinigungsmittel, Aerosole oder andere Produkte verwenden, die die Oberfläche verkratzen können.

Lüftungsgitter:

- Staub und Schmutz aus dem Heizelement und Grillflächen mit einem Staubsauger oder Staubtuch entfernen.

Kunststoffelemente:

- Vorsichtig mit einem Tuch abwischen. Das Tuch mit einer milden Lösung aus Geschirrspülmittel und warmem Wasser leicht anfeuchten.
- **NIEMALS** scheuernde Reinigungsmittel, Aerosole oder andere Produkte verwenden, die die Oberfläche verkratzen können.

Wartung



Gefahr eines Stromschlags! KEINE Platten öffnen! Das Gerät enthält keine Teile zur Selbstreparatur!



Vor Reinigung, Wartung oder Umstellung des Kamins, das Heizelement **IMMER ausschalten** und den **Netzstecker aus der Steckdose ziehen**. Andernfalls kann es zu Stromschlag, Feuer oder Verletzungen kommen.

Elektrische und bewegliche Teile:

- Die Lüftermotoren sind werkseitig geschmiert und müssen nicht nachgeschmiert werden.
- Elektrische Komponenten sind im Gerät integriert und können selbst nicht repariert werden.

Lagerung:

Bewahren Sie das Gerät bei Nichtgebrauch an einem sauberen, trockenen Ort auf.



WARNUNG! Interne elektrische Komponenten sind **NICHT** zur Selbstreparatur durch den Benutzer bestimmt.



VOR WARTUNGSARBEITEN DAS GEFÄß VOLLSTÄNDIG VOM STROMNETZ TRENNEN UND ABWARTEN, BIS DAS GERÄT ABKÜHLT. ELEKTROGERÄTE DÜRFEN AUSSCHLIESSLICH DURCH QUALIFIZIERTES SERVICEPERSONAL GEWARTET UND REPARIERT WERDEN.

Problem	Mögliche Ursachen	Lösung
1. Der Kamin schaltet aus und kann nicht mehr eingeschaltet werden.	1. Der Kamin ist überhitzt und die Schutzeinrichtung hat thermischen Schalter oder Stromkreisunterbrecher ausgelöst.	1. Die Schutzeinrichtung zurücksetzen. Dazu den Netzschalter auf OFF stellen und 10 Minuten warten, dann wieder einschalten, oder den Stromkreisunterbrecher drücken.
2. Die Flamme bewegt sich nicht.	1. Lose Kabel. 2. Der Motor des Flammenmechanismus ist defekt. 3. Der Brenner steht nicht an seiner Stelle.	1. Überprüfen Sie die Verkabelung auf lose Verbindungen. 2. Wenden Sie sich an einen autorisierten Servicetechniker zwecks Austausch des Motors. 3. Der Brenner kann sich während des Transports/der Übertragung bewegt haben. Zwecks Reparaturarbeiten muss die Frontscheibe entfernt, der Kamin auf den Kopf gestellt, die Schrauben zur Befestigung der Bodenplatte entfernt und der Brenner wieder eingesetzt werden.
3. Die Flamme ist unsichtbar.	1. Lose Kabel.	1. Das Kabel von der Stromquelle trennen und auf lose Verbindungen prüfen. Bei Bedarf reparieren oder ersetzen. 2. Die Flammen-Taste drücken, um den Effekt zu verstärken.
4. Die Holzscheite glühen nicht.	1. Lose Kabel. 2. Die Glühfunktion ist ausgeschaltet.	1. Das Kabel von der Stromquelle trennen und auf lose Verbindungen prüfen. Bei Bedarf reparieren oder ersetzen. 2. Die Glüh-Taste drücken, um den Effekt zu verstärken.

5. Die Fernbedienung funktioniert nicht.	<ol style="list-style-type: none"> 1. Die Batterien sind alle. 2. Falsch gerichteter Signalgeber. 3. Fernbedienung und/oder Sensor defekt. 	<ol style="list-style-type: none"> 1. Die Batterien der Fernbedienung wechseln. 2. Den Signalgeber auf den Sensor, der sich direkt hinter der Glasplatte in der Mitte des Gerätes über den Holzscheiten befindet, richten. 3. Fernbedienung und/oder Sensor ersetzen.
6. Der Kamin startet nicht, obwohl sich der Schalter in der ON-Stellung befindet.	<ol style="list-style-type: none"> 1. Der Kamin ist nicht an das Stromnetz angeschlossen. 2. Steuerungsfehler. 3. Auslösen der Sicherung. 	<ol style="list-style-type: none"> 1. Den Stecker überprüfen. 2. Autorisiertes Servicezentrum kontaktieren. 3. Den automatischen Schalter wieder einschalten.
7. Nach dem Einschalten gibt das Heizelement keine Wärme ab.	<ol style="list-style-type: none"> 1. Aktivierung des thermischen Schalters. 2. Lose Kabel. 3. Fehlfunktion des Heizelementes. 	<ol style="list-style-type: none"> 1. Das Gerät ausschalten und für 10 Minuten von der Stromversorgung trennen. Den Stecker wieder anschließen und das Gerät einschalten. Wenn der Stecker nicht verfügbar ist, Hinweise zum Fehlerstrom-Schutzschalter beachten. 2. Das Kabel von der Stromquelle trennen und auf lose Verbindungen prüfen. Bei Bedarf reparieren oder ersetzen. 3. Das Heizelement wechseln.

ACHTUNG: Um die Glasplatte zu entfernen, die beiden Schrauben auf beiden Seiten der Vorderseite des Gerätes (links und rechts) finden. Die Schrauben lösen, die Glasplatte nach oben schieben und vom Kamin entfernen. Nach dem Entfernen der Bodenplatte ist rechts der Flammenmotor sichtbar, in dem der Brenner und die Gummidichtungen sitzen sollen.

Vor Arbeiten das Gerät unbedingt von der Stromversorgung trennen. Die Glasplatte und das gesamte Gerät immer auf ein Handtuch oder anderes Material, das die Komponenten/Rahmen nicht beschädigt, legen.

Der gesamte Vorgang sollte nicht länger als 20-30 Minuten in Anspruch nehmen.

MANUALE UTENTE

■ AV-WM36IMP

■ AV-WM43IMP

■ AV-WM50IMP

■ AV-WM60IMP

■ AV-WM72IMP



IMPERIAL 36"/43"/50"/60"/72"
Caminetto elettrico da parete / da incasso
AC 220V-240V 50Hz 1400-1600 W

⚠ AVVERTENZA

Prima di collegare o utilizzare l'apparecchio, **leggere attentamente** il manuale utente, tenendo conto di **tutte le informazioni relative alla sicurezza**. La mancata osservanza di tale prescrizione può causare **un incendio, una folgorazione o gravi lesioni personali**.

⚠ AVVERTENZA

Conservare il presente manuale utente per consultarlo in futuro. In caso di vendita o trasferimento dell'apparecchio, **bisogna assolutamente allegare il manuale**.

IMPORTANTI ISTRUZIONI DI SICUREZZA:

AVVERTENZA:

Durante l'uso di apparecchi elettrici, occorre rispettare sempre le misure precauzionali di base per ridurre il rischio di un incendio, una folgorazione e lesioni personali, tenendo conto delle seguenti indicazioni:

- Prima di utilizzare l'apparecchio, leggere tutte le istruzioni.
- L'apparecchio si riscalda durante il funzionamento. Per evitare scottature, non toccare le superfici calde. Se disponibili – usare i manici per spostare l'apparecchio. Tenere materiali combustibili come mobili, cuscini, biancheria da letto, documenti, abbigliamento e tende a distanza di almeno 1 m dalla parte anteriore dell'apparecchio. Tenere tutti gli oggetti lontano dai lati e dalla parte posteriore dell'apparecchio. Non coprire l'apparecchio per evitare un surriscaldamento.
- Prestare particolare attenzione quando l'apparecchio di riscaldamento viene utilizzato in presenza di bambini o persone disabili e quando rimane non sorvegliato mentre è acceso.
- L'apparecchio non utilizzato deve essere scollegato dall'alimentazione.
- Non avviare l'apparecchio con la condotta di alimentazione o spina danneggiate, o nel caso di guasto all'apparecchio, di caduta dall'altezza. Bisogna portare l'apparecchio all'assistenza autorizzata per un controllo, una regolazione elettrica, meccanica o una riparazione.
- L'apparecchio è destinato esclusivamente all'uso all'interno degli edifici.
- Non utilizzare l'apparecchio in bagni, lavanderie e ambienti simili. Non collocare mai l'apparecchio nei luoghi con rischio di caduta nella vasca da bagno o in un altro serbatoio d'acqua.
- Non far passare il cavo di alimentazione sotto il moquette. Non coprire il cavo con tappeti, tappetini o altri materiali per rivestimento di pavimenti. Mantenere il percorso dei cavi lontano dai luoghi spesso frequentati e in modo da non far inciampare.
- Per scollegare l'apparecchio, disattivare tutte le spie in modalità "OFF" e poi togliere la spina dalla presa.
- Non inserire e non consentire che qualsiasi oggetto si trovi nel foro di ventilazione e alimentazione per evitare una folgorazione, un incendio o un danno all'apparecchio.
- Per evitare il rischio di un incendio, non bloccare in alcun modo entrate e uscite dell'aria. Non utilizzare l'apparecchio sulle superfici morbide come letto, dove i fori possono essere bloccati.
- Il camminetto ha all'interno i componenti che si riscaldano o che potrebbero provocare scintille o archi elettrici. Non utilizzare nei luoghi in cui viene conservata la benzina, la vernice o altri liquidi infiammabili.
- Utilizzare il camminetto solo in modo presentato nel presente manuale. Ogni altro uso non raccomandato dal produttore, potrebbe causare un incendio, una folgorazione o lesioni personali.
- PERICOLO – ALTE temperature possono essere generate in condizioni di lavoro anomale. Non coprire interamente o parzialmente la parte anteriore dell'apparecchio di riscaldamento.
- Sostituire le lampade esclusivamente dopo aver scollegato il camminetto dall'alimentazione.
- L'apparecchio non è destinato all'uso da parte di persone (compreso bambini) con ridotte capacità fisiche, mentali o sensoriali, o che non possiedono un'adeguata conoscenza o esperienza, a meno che non si trovino sotto la supervisione di una persona responsabile della loro sicurezza o sono stati istruiti da essa in materia di uso dell'apparecchio. Bisogna assicurare che i bambini non giochino con l'apparecchio.
- ATTENZIONE: Per evitare il rischio causato da un reset involontario di interruttori di sovraccarico termici, non collegare il camminetto al dispositivo esterno di commutazione, come programmatore o del circuito con sistema di accensione e spegnimento ciclico.

Preparazione



Il prodotto è dotato di **pannello in vetro!** Bisogna prestare sempre **particolare attenzione** durante lo spostamento del **vetro**. Mancato rispetto di tale raccomandazione può causare lesioni personali o danni materiali.

Togliere tutti i componenti ed gli elementi di montaggio dal cartone e metterli sulla superficie pulita, morbida e asciutta. Controllare l'elenco delle parti per assicurarsi che non manchi niente. Materiali di imballaggio devono essere smaltiti in modo adeguato.

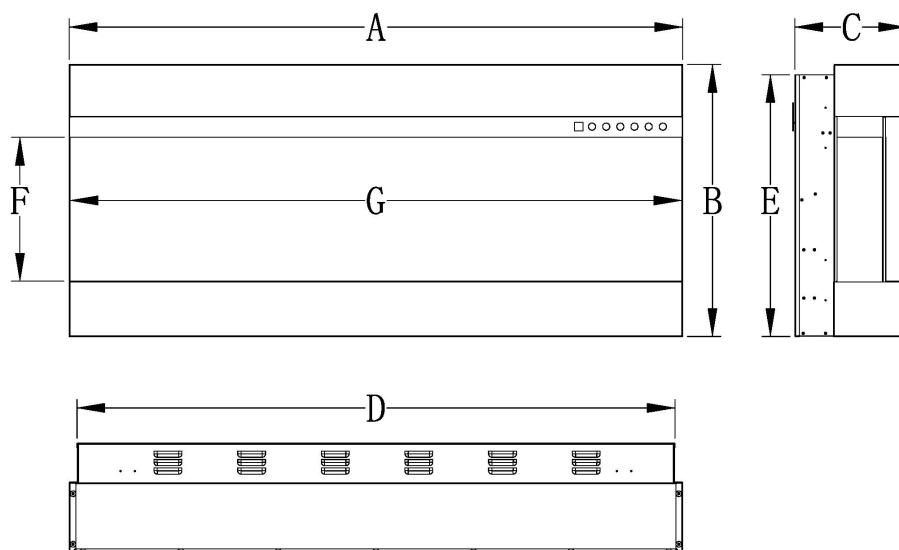
Laddove possibile, i rifiuti devono essere avviati al riciclaggio.

Saranno indispensabili i seguenti attrezzi (non sono in dotazione): cacciavite a croce; livella; metro; trapano; martello.

Componenti ed elementi di montaggio

<p>A – Camminetto</p>			<p>C – ulloni di ancoraggio</p>
	<p>B – Viti per legno</p>		
<p>Telecomando</p>			<p>F- Staffa in metallo (In alto: più lungo)</p>
	<p>E-Staffa in metallo (In basso - corto)</p>		
<p>E - Supporto da parete Da montare nella parte posteriore dell'alloggiamento</p>	<p>H-Cristalli</p>	<p>I - Ceppi</p>	<p>J - Vaschetta in plastica</p>

Specifiche e dimensioni



DIMENSIONI DEL PRODOTTO

Numero del modello	A	B	C	D	E	F	G
AV-WM36IMP	36.6" 93cm	19.1" 48.4cm	7.9" 20cm	35.5" 90.2cm	18.3" 46.56cm	10.1" 25.61cm	36.4" 92.57cm
AV-WM43IMP	43.3" 110.2cm	19.1" 48.4cm	7.9" 20cm	42.2" 107.22cm	18.3" 46.56cm	10.1" 25.61cm	43.1" 109.6cm
AV-WM50IMP	50" 127cm	19.1" 48.4cm	7.9" 20cm	48.9" 124.2cm	18.3" 46.56cm	10.1" 25.61cm	49.8" 126.57cm
AV-WM60IMP	60" 152.4cm	19.1" 48.4cm	7.9" 20cm	58.9" 149.6cm	18.3" 46.56cm	10.1" 25.61cm	59.8" 151.97cm
AV-WM72IMP	72" 182.8cm	19.1" 48.4cm	7.9" 20cm	70.9" 180cm	18.3" 46.56cm	10.1" 25.61cm	71.8" 182.37cm

Montaggio e installazione

L'apparecchio è destinato al montaggio sulla parete, a incasso e/o nell'alloggiamento. Scegliere un posto adatto, che non è esposto ad umidità e si trova lontano dalle tende, dai mobili e dai luoghi spesso frequentati.

ATTENZIONE: Occorre rispettare tutte le normative elettriche nazionali e locali.

DISTANZA MINIMA DAI MATERIALI INFIAMMABILI

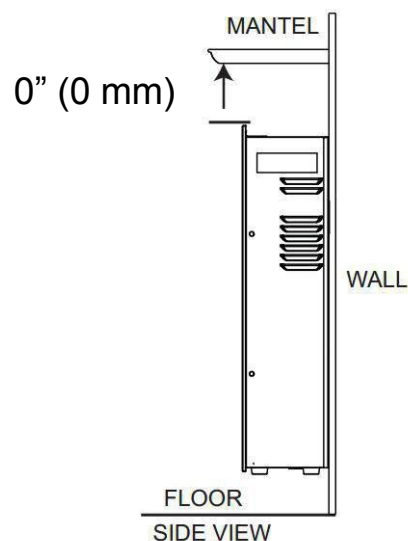
Le misurazioni sono effettuate dalla parte anteriore in vetro.

Parte inferiore	0"	Parte superiore	8" (300mm) dall'involucro
Lati	0"	Parte superiore	8" (300mm) dal soffitto
Parte posteriore	0"		

DISTANZA MINIMA DALL'INVOLUCRO

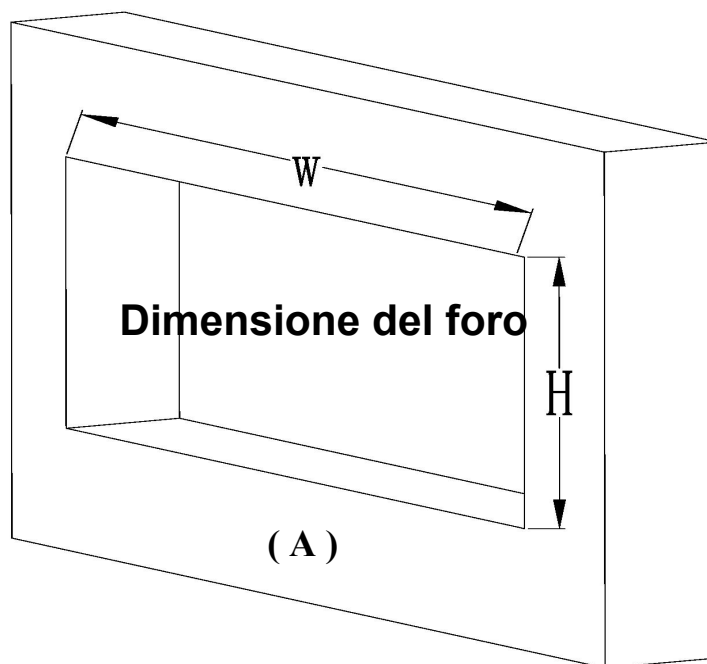
ATTENZIONE

UTILIZZANDO LA PITTURA O LA VERNICE DI RIFINITURA PER INVOLUCRO, TALE PITTURA O VERNICE DEVE ESSERE RESISTENTE AL CALORE PER IMPEDIRE LA DECOLORAZIONE.



MONTAGGIO A INCASSO DELLA PARETE

NOTA: Installare il caminetto in modo tale che in caso di guasto possa essere rimosso dalla parete per la manutenzione.

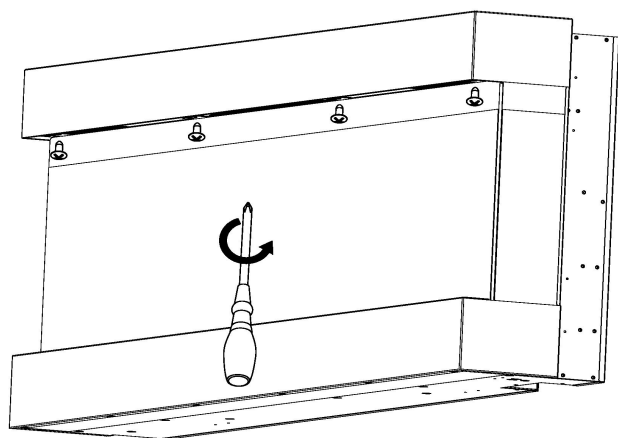


Passo A. Scegliere la parete in cartongesso per effettuare il foro per caminetto. Le adeguate dimensioni del foro devono essere controllate nella seguente tabella. **Figura (A)**

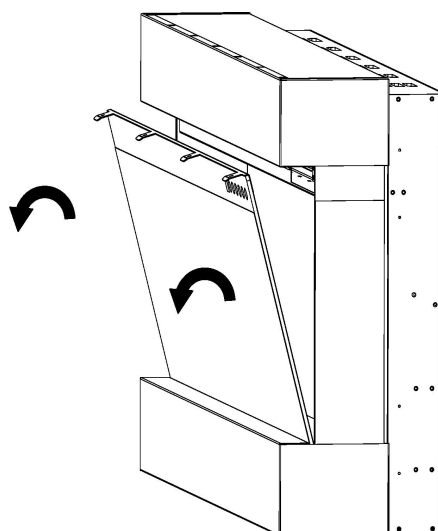
Dimensione del foro		
Numero del modello	W	H
AV-WM36IMP	35.9" (91.2CM)	18.84" (47.86CM)
AV-WM43IMP	42.71" (108.3CM)	18.84" (47.86CM)
AV-WM50IMP	49.29" (125.2CM)	18.84" (47.86CM)
AV-WM60IMP	59.29" (150.6CM)	18.84" (47.86CM)
AV-WM72IMP	71.25" (181CM)	18.84" (47.86CM)

Passo B. Utilizzo del cacciavite per rimuovere le viti dalla parte anteriore **Figura (B)**

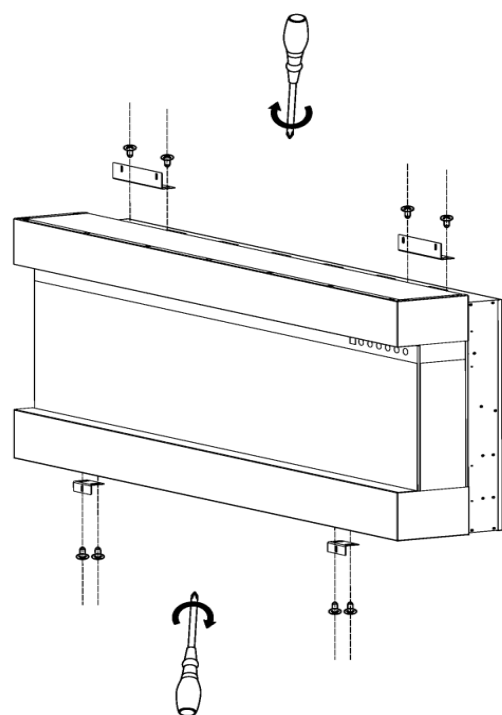
Passo C. Chiedere a due persone adulte di tirare il pannello di vetro e di estrarlo **Figura (C)**



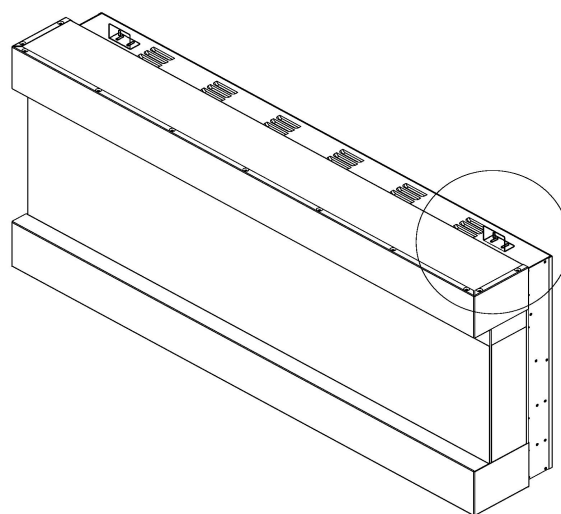
(B)



(C)



(D)

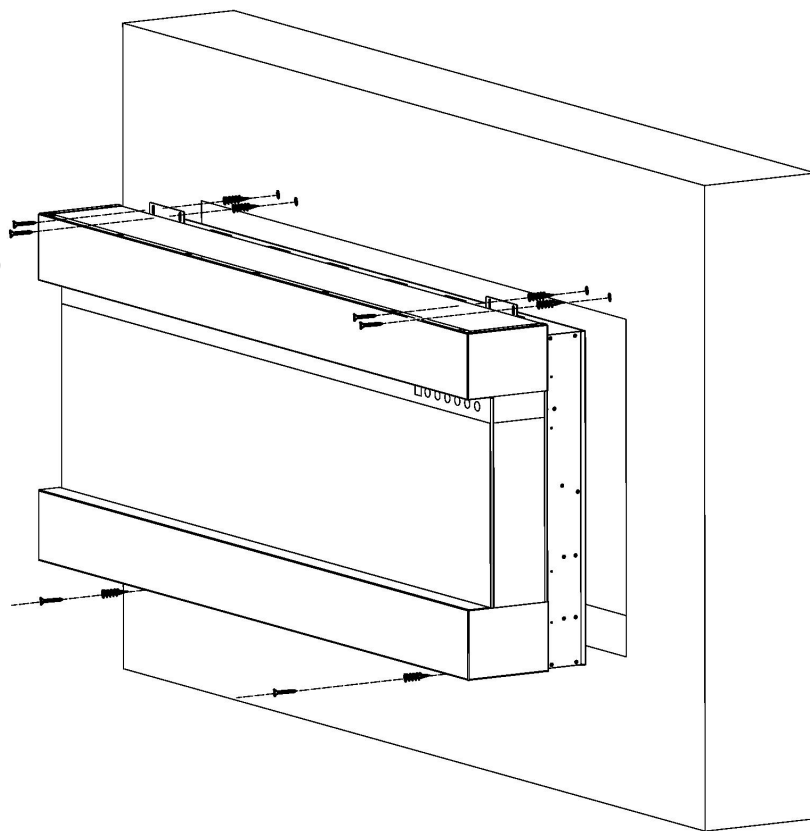


(E)

Passo D. Fissare le staffe metalliche (E) alla PARTE INFERIORE e (F) alla PARTE SUPERIORE della scatola del camino. **Figura (D, E)**

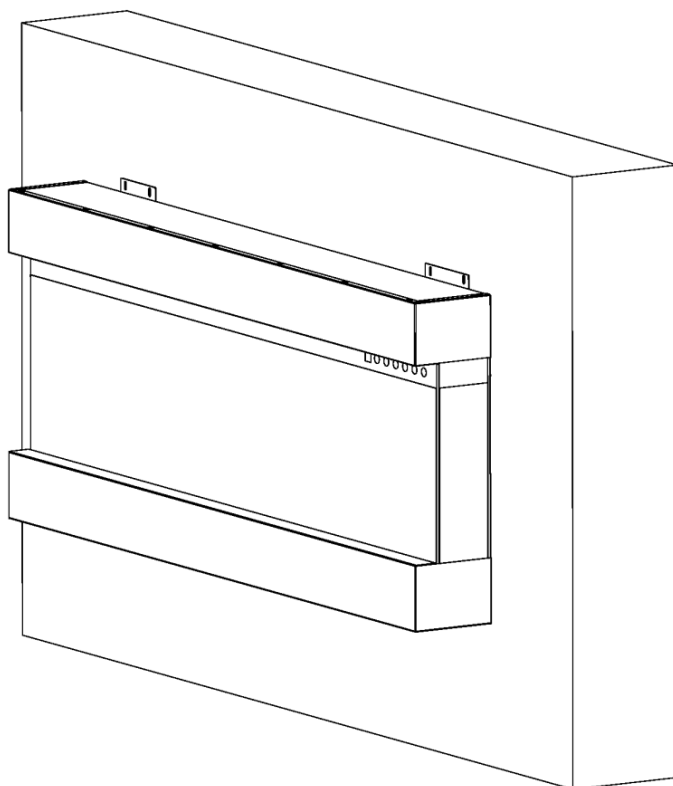
NOTA: le staffe metalliche possono essere utilizzate come mobili, si prega di regolare la posizione migliore in base alle necessità

Passo E. Chiedere a due persone adulte di sollevare la scatola del caminetto e metterla all'interno del foro di apertura del muro. Utilizzando il cacciavite per fissare tutte le viti per legno e gli ancoraggi per cartongesso attraverso le staffe metalliche alla parete e fissandole saldamente. NOTA: assicurarsi che tutte le viti e gli ancoraggi per cartongesso siano ben avvitati.



(F)

Passo F. Il tuo caminetto elettrico apparirà come di seguito dopo l'installazione



MONTAGGIO A PARETE

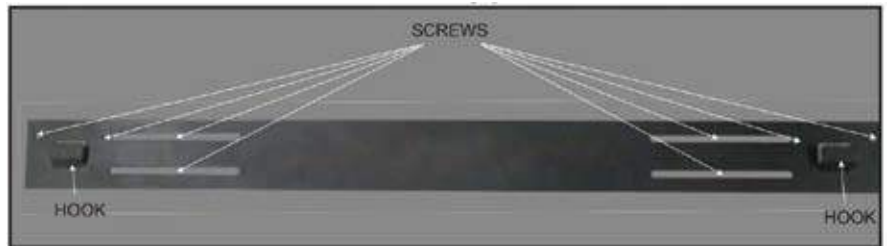
Considerando molti, vari materiali utilizzati sulle diverse pareti, si raccomanda di consultare il professionista prima di procedere al montaggio dell'apparecchio sulla parete.

A. Scegliere un posto che non è esposto all'umidità e si trova almeno 100 cm dai materiali infiammabili, come tende, mobili, biancheria da letto, carta ecc.

B. Per definire una posizione finale sono richieste due persone per tenere.

C. Posizionare l'involucro con la parte frontale verso basso sulla superficie morbida, non abrasiva. Togliere il supporto dalla parte posteriore dell'apparecchio svitando le viti, vedi Figura 1.

D. Contrassegnare la posizione e poi fissare supporti alla parete con le viti in dotazione. Ganci del supporto DEVONO essere puntati verso l'alto, invece il supporto deve essere livellato.

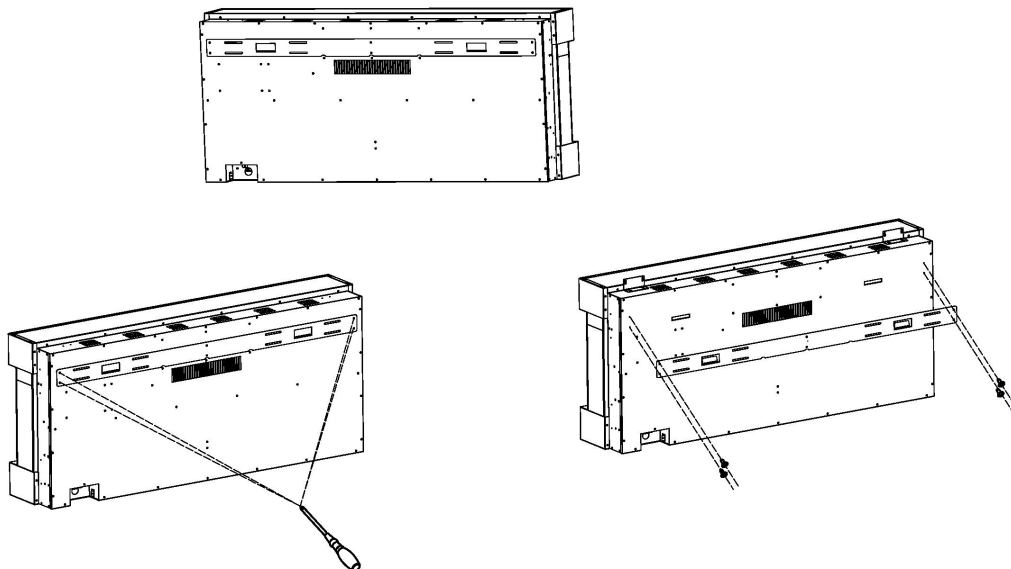


ATTENZIONE: Si raccomanda che il supporto

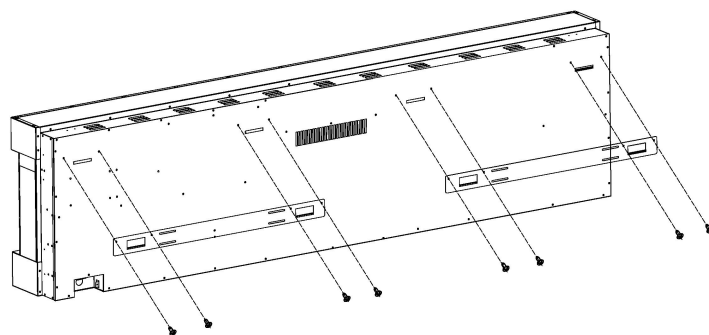
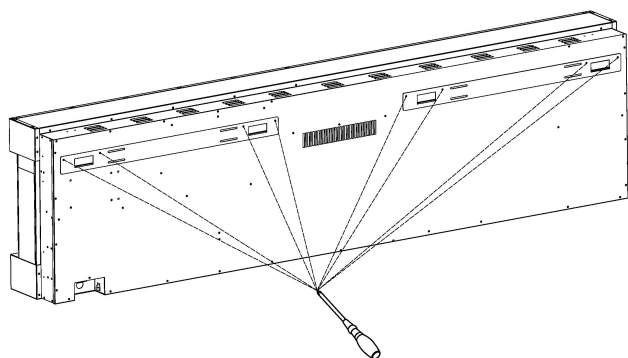
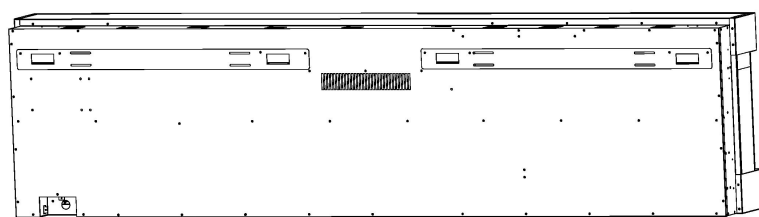
di montaggio (E) sia avvitato ai tasselli da parete, ove possibile. Se non possono essere utilizzati viti per pareti, assicurati che bulloni di ancoraggio di plastica in dotazione utilizzati per fissare il supporto alla parete, invece il supporto è adeguatamente protetto.

E. Dopo aver installato la staffa di montaggio da parete, sollevare l'apparecchio con l'aiuto di un'altra persona e mettere due ganci del supporto nei fori sulla parete posteriore dell'apparecchio.

F. Controllare la stabilità dell'apparecchio, assicurandosi che il supporto non fuoriesca dalla parete.

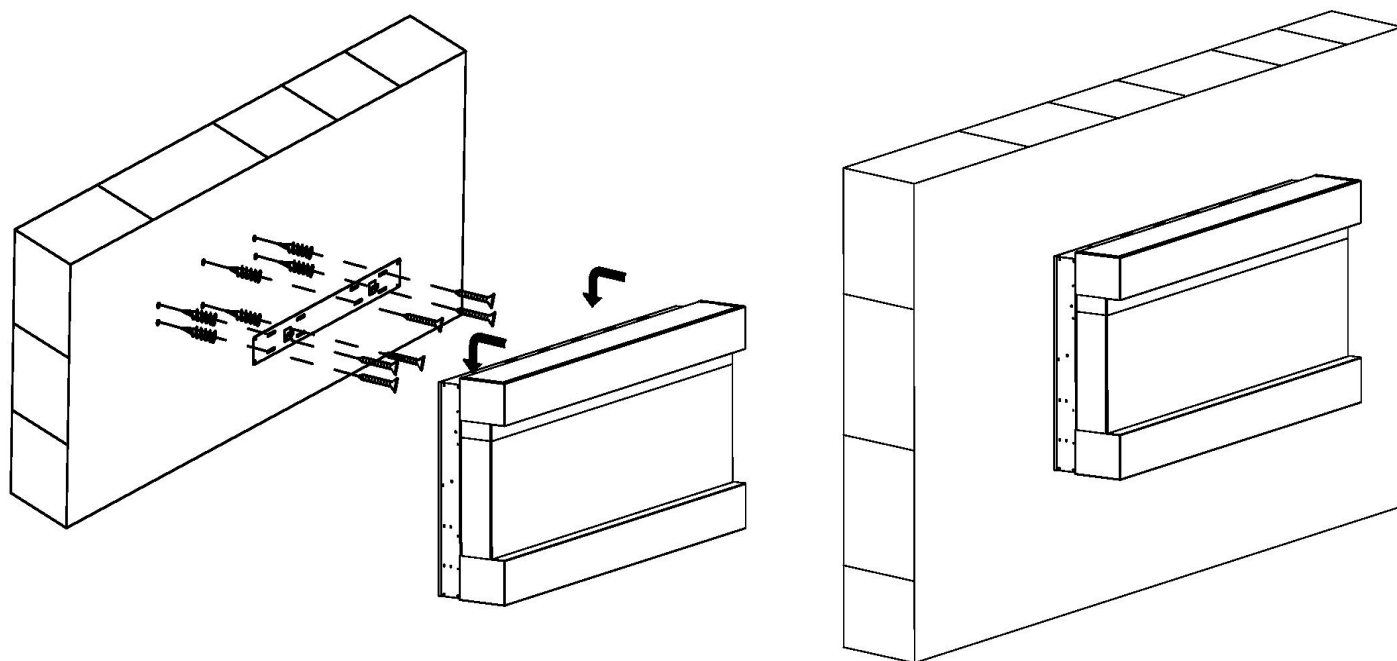


La figura mostra la staffa da parete per modelli AV-WM36-50IMP



La figura mostra la staffa da parete per modelli AV-WM60-72IMP

G. Il tuo caminetto elettrico apparirà come di seguito dopo l'installazione



Montaggio del set di ceppi / cristalli

(ATTENZIONE: effettuare il montaggio a seconda del tipo di focolare acquistato o selezionato)

A. La parte anteriore in vetro deve essere rimossa e l'apparecchio deve essere montato nella sua posizione definitiva prima di installare il set di legna / cristallo / braci.

B. Se il tuo caminetto è dotato di un set di legna, prendi il set di legna dalla confezione e mettilo nello slot per supporti del caminetto. **Figura 1.**

C. Per passare ai cristalli, per prima cosa estrai il set di tronchi dalla fessura del caminetto, quindi posiziona il vassoio di plastica (J) nel luogo progettato dal caminetto. Quindi posizionare con cura le braci di cristallo nel vassoio di plastica come illustrato. Applicare uno strato uniforme da un lato all'altro. **Figura 2, Figura 3.**

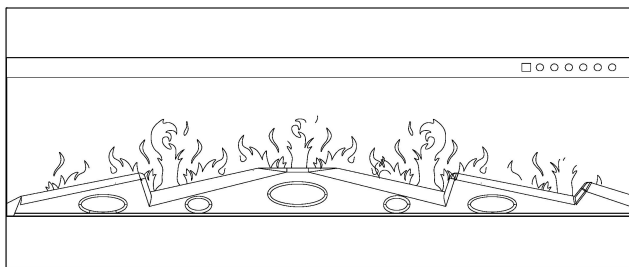


Figura 1

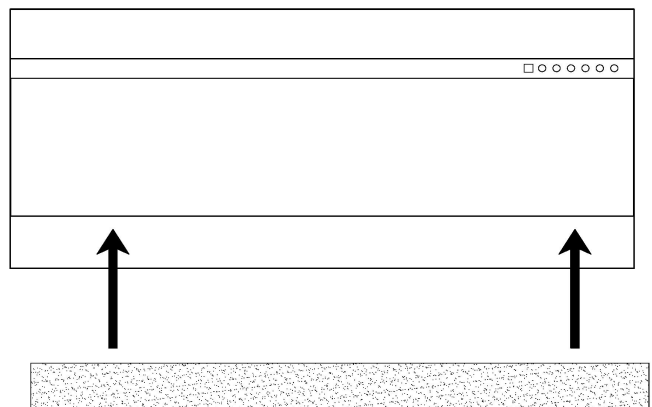


Figura 2



Figura 3. (Cristalli)

Uso



Prima di collegare o iniziare a usare l'apparecchio, leggere attentamente l'intero manuale utente, tenendo conto di tutte le informazioni relative alla sicurezza. Mancato rispetto di tale requisito può causare una folgorazione, un incendio, gravi lesioni al corpo o morte.

Collegamento all'alimentazione

Collegare il cavo di alimentazione alla presa AC 220-240 V (vedi **IMPORTANTI ISTRUZIONI DI SICUREZZA** sulle pagine 2 e 3). Assicurati che la presa sia in buone condizioni tecniche e la spina non sia allentata. **MAI** superare la corrente massima ammissibile per il circuito. **NON** collegare altri apparecchi allo stesso circuito.




Modalità di funzionamento




Tale caminetto può essere gestito tramite il PANNELLO TATTILE che si trova sulla parte frontale del caminetto o utilizzando il TELECOMANDO, alimentato con batterie.

La gestione e le funzioni di entrambi i metodi sono identiche.

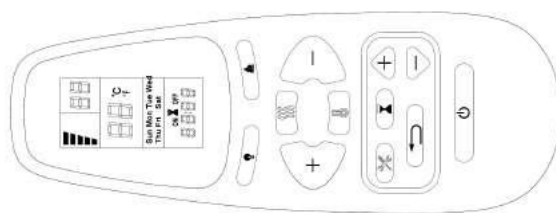
Prima di procedere all'uso, leggere **IMPORTANTI ISTRUZIONI DI SICUREZZA** sulle pagine 2 e 3, e applicale.




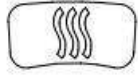
Uso del pannello di controllo / telecomando

PULSANTE	FUNZIONE	FUNZIONAMENTO e SEGNALE
 POWER	ON: Attiva le funzioni del pannello di controllo e telecomando. Accende l'effetto di fiamma. OFF: Blocca le funzioni del pannello di controllo e telecomando. Spegne l'effetto di fiamma.	<ol style="list-style-type: none">1. Premere una volta: La spia si accende. Attivazione dell'alimentazione. Tutte le funzioni attive.2. Premere di nuovo: L'effetto di fiamma disattivato. Apparecchio in modalità standby. Tutte le funzioni non attive.
 TIMER	Pulsante del programmatore: Regolazione delle impostazioni del programmatore per spegnere caminetto ad un certa ora. Limiti di regolazione da 0,5 a 8 ore.	<ol style="list-style-type: none">1. Premere una volta: La spia si illumina. Programmatore impostato per 0,5 ora.2. Continua a premere finché non venga raggiunta l'impostazione desiderata. La spia mostra l'impostazione.
 FLAME	Pulsante FIAMMA: regola la luminosità della fiamma. ATTENZIONE: L'effetto di fiamma rimane acceso fino a quando viene premuto il pulsante di alimentazione. L'effetto di fiamma deve essere acceso per accendere il riscaldatore.	<ol style="list-style-type: none">1. Premere una volta: Cambio di luminosità dell'effetto di fiamma.2. Premere di nuovo finché l'impostazione desiderata non venga raggiunta.


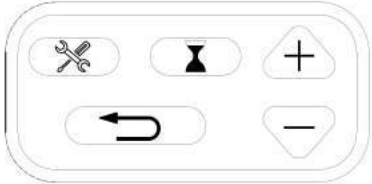



 <p>COLOR</p>	<p>Pulsante COLORE: Cambio di colore per l'effetto di fiamma.</p> <p>ATTENZIONE: L'effetto di colore rimane attivo finché il pulsante di alimentazione non venga premuto. L'effetto di colore di fiamma deve essere acceso per accendere il riscaldatore.</p>	<ol style="list-style-type: none"> 1. Premere una volta: Cambio di colore di fiamma. 2. Premere di nuovo finché l'impostazione desiderata non venga raggiunta.
 <p>HEATER</p>	<p>Pulsante RISCALDATORE: Accende e spegne il riscaldatore.</p> <p>ATTENZIONE: Riscaldatore funzionerà solo con l'effetto di fiamma attivo. Se l'effetto di fiamma non è attivo, il riscaldatore non verrà acceso.</p> <p>ATTENZIONE: Per evitare il surriscaldamento, il ventilatore del riscaldatore soffierà l'aria fresca per 10 secondi prima di accendere il riscaldatore e dopo il suo spegnimento.</p>	<ol style="list-style-type: none"> 1. Premere una volta. La spia è accesa. Il ventilatore soffia l'aria fresca per 10 secondi. Il basso livello del riscaldatore si accende e soffia l'aria calda. 2. Premere di nuovo. La spia è accesa. L'elevato livello del riscaldatore si accende e soffia l'aria calda. 3. Premere di nuovo. Il riscaldatore si spegne. Il ventilatore soffia l'aria fresca per 10 secondi consentendo il raffreddamento del riscaldatore, poi si spegne.
	<p>Pulsante di illuminazione dei ceppi: Fa sì che il colore in fondo all'effetto cambi.</p> <p>ATTENZIONE: L'effetto del colore rimane attivo fino a quando si preme il pulsante di alimentazione.</p>	<ol style="list-style-type: none"> 1. Premere una volta. Cambio del colore di illuminazione. 2. Premere di nuovo fino ad ottenere l'impostazione desiderata. Disponibili 10 colori. 3. Ciclo automatico: Dopo aver premuto 11 volte, i colori di illuminazione cambieranno automaticamente

Uso del telecomando

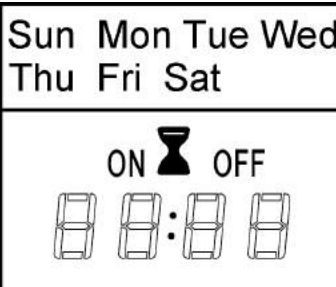



PULSANTE	FUNZIONE	FUNZIONAMENTO e SEGNALAZIONE
 POWER	<p>ON: Attiva le funzioni del pannello di controllo e del telecomando. Accende l'effetto di fiamma.</p> <p>OFF: Blocca le funzioni del pannello di controllo e del telecomando. Spegne l'effetto di fiamma.</p>	<ol style="list-style-type: none"> Premere una volta: La spia si accende. Attivazione dell'alimentazione. Tutte le funzioni attive. Premere di nuovo: L'effetto di fiamma disattivato. Apparecchio in modalità standby. Tutte le funzioni non attive.
	<p>Pulsante COLORE: Cambio di colore per l'effetto di fiamma.</p> <p>ATTENZIONE: L'effetto di colore rimane attivo finché il pulsante di alimentazione non venga premuto. L'effetto di colore di fiamma deve essere acceso per accendere il riscaldatore.</p>	<ol style="list-style-type: none"> Premere una volta: Cambio di colore di fiamma. Premere di nuovo finché l'impostazione desiderata non venga raggiunta.
	<p>Pulsante FIAMMA: regola la luminosità della fiamma.</p> <p>ATTENZIONE: L'effetto di fiamma rimane acceso fino a quando viene premuto il pulsante di alimentazione. L'effetto di fiamma deve essere acceso per accendere il riscaldatore.</p>	<ol style="list-style-type: none"> Premere una volta: Cambio di luminosità dell'effetto di fiamma. Premere di nuovo finché l'impostazione desiderata non venga raggiunta.
 HEATER	<p>Pulsante RISCALDATORE: Accende e spegne il riscaldatore.</p> <p>ATTENZIONE: Riscaldatore funzionerà solo con l'effetto di fiamma attivo. Se l'effetto di fiamma non è attivo, il riscaldatore non verrà acceso.</p> <p>ATTENZIONE: Per evitare il surriscaldamento, il ventilatore del riscaldatore soffierà l'aria fresca per 8-10 secondi prima di accendere il riscaldatore e dopo il suo spegnimento.</p>	<ol style="list-style-type: none"> Premere una volta. La spia è accesa. Il ventilatore soffia l'aria fresca per 10 secondi. Il basso livello del riscaldatore si accende e soffia l'aria calda. Premere di nuovo. La spia è accesa. L'elevato livello del riscaldatore si accende e soffia l'aria calda. Premere di nuovo. Il riscaldatore si spegne. Il ventilatore soffia l'aria fresca per 10 secondi consentendo il raffreddamento del riscaldatore, poi si spegne.

IMPOSTAZIONI DEL PROGRAMMATORE SUL TELECOMANDO








 Timer: Visualizza il giorno, l'ora e la settimana corrente. Premere per inserire o confermare le impostazioni.	
 Impostazioni: Premere per procedere (usare con il pulsante Timer). Premere per confermare il programma settimanale.	
 Indietro: Premere per cancellare le impostazioni. Premere per tornare al passo precedente (usare con il pulsante Impostazioni).	
 Su/Giù (usare con il pulsante Impostazioni).	

Display digitale





Giorni della settimana → Mon, Tues, Wed, Thurs, Fri, Sat, Sun		Attenzione: Si può regolare le funzioni solo quando le lettere o le cifre corrispondenti lampeggiano. Attenzione: Calibrare l'orologio al tempo corrente prima delle impostazioni settimanali.
Visualizzazione del tempo →		
Ora corrente / Timer da 00: 00 a 24		

 TEMP	Pulsante TEMPERATURA: Accende e spegne il riscaldatore. ATTENZIONE: Premere e Tenere premuto il pulsante per 5 secondi, la scala cambia da °C a °F. Lo stesso modo da °F a °C.	<ol style="list-style-type: none"> Premere una volta: Si accende la spia. Temperatura cambia a 18 °C. Premere di nuovo: finché l'impostazione desiderata non venga raggiunta. Il display visualizza l'impostazione dalla tabella: 																																																								
	<table border="1"> <thead> <tr> <th>NO</th> <th>0</th> <th>1</th> <th>2</th> <th>3</th> <th>4</th> <th>5</th> <th>6</th> <th>7</th> <th>8</th> <th>9</th> <th>10</th> <th>11</th> <th>12</th> </tr> </thead> <tbody> <tr> <td>°C</td> <td>18</td> <td>19</td> <td>20</td> <td>21</td> <td>22</td> <td>23</td> <td>24</td> <td>25</td> <td>26</td> <td>27</td> <td>28</td> <td>29</td> <td>30</td> </tr> <tr> <td>°F</td> <td>64</td> <td>66</td> <td>68</td> <td>70</td> <td>72</td> <td>74</td> <td>76</td> <td>78</td> <td>80</td> <td>82</td> <td>84</td> <td>86</td> <td>88</td> </tr> <tr> <td></td> <td>65</td> <td>67</td> <td>69</td> <td>71</td> <td>73</td> <td>75</td> <td>77</td> <td>79</td> <td>81</td> <td>83</td> <td>85</td> <td>87</td> <td></td> </tr> </tbody> </table>		NO	0	1	2	3	4	5	6	7	8	9	10	11	12	°C	18	19	20	21	22	23	24	25	26	27	28	29	30	°F	64	66	68	70	72	74	76	78	80	82	84	86	88		65	67	69	71	73	75	77	79	81	83	85	87	
	NO	0	1	2	3	4	5	6	7	8	9	10	11	12																																												
°C	18	19	20	21	22	23	24	25	26	27	28	29	30																																													
°F	64	66	68	70	72	74	76	78	80	82	84	86	88																																													
	65	67	69	71	73	75	77	79	81	83	85	87																																														

1 Impostare il giorno e l'ora corrente






1. Premere  una volta. Quando "MON" (Lunedì) inizia a lampeggiare, usare  per selezionare il giorno corrente.
2. Premere . Quando le cifre dell'ora iniziano a lampeggiare, usare  per impostare le ore.
3. Premere  di nuovo. Quando le cifre dei minuti iniziano a lampeggiare, usare  per selezionare i minuti.
4. Premere  di nuovo. Il tempo corrente è stato impostato.

2 Impostare l'ora di accensione/spegnimento e la temperatura nel programma settimanale

1. Premere . Quando inizia a lampeggiare "MON" (lunedì), premere  3 volte.
Quando "ON" inizia a lampeggiare, usare  per selezionare l'ora e il minuto desiderato di ACCENSIONE del riscaldamento.  in qualsiasi momento per cancellare cifre e spegnere timer.









Attenzione

Attenzione: È possibile regolare Timer solo ad intervallo di 30 minuti (es. 00:00 - 00:30; 00:30 - 01:00, ecc.)

2. Premere . Quando "OFF" inizia a lampeggiare, usare  per selezionare l'ora e i minuti di **SPEGNIMENTO** del riscaldamento.
Premere  in qualsiasi momento per cancellare le cifre e spegnere il timer.
3. Premere  di nuovo. Quando "18" inizia a lampeggiare, usare  per selezionare la temperatura desiderata per lunedì.

Attenzione

Attenzione: Se la temperatura è stata impostata prima, le cifre verranno visualizzate invece del "18".

4. Premere  di nuovo. Quando appare "TUES" (martedì) e "ON" inizia a lampeggiare, usare  per selezionare l'ora e il minuto desiderato di accensione del riscaldamento martedì.
5. Premere  di nuovo. Quando inizia a lampeggiare "OFF", usare  per selezionare l'ora e il minuto desiderato di spegnimento del riscaldamento martedì.
6. Premere  di nuovo. Quando "18" inizia a lampeggiare, usare  per selezionare la temperatura desiderata per martedì.
7. Ripetere i passi da 1 a 6 per impostare il tempo di accensione/spegnimento e la temperatura per mercoledì (WED), giovedì (THURS), venerdì (FRI), sabato (SAT) e domenica (SUN).
8. Premere  o  per completare l'impostazione, assicurandosi che il telecomando sia diretto verso il ricevitore posizionato in centro dell'apparecchio. L'apparecchio emette un segnale acustico per confermare che la programmazione sia stata completata con successo.

Avvertenza sulla finestra aperta

Se la temperatura in un ambiente scende di 10 gradi entro 3 minuti, l'apparecchio presuppone che nelle vicinanze si trovi una finestra aperta. Per risparmiare l'energia, il caminetto passa automaticamente dalla modalità Alta alla Bassa o se il riscaldatore è già in modalità Bassa, si spegne completamente.

Dopo il passaggio dalla modalità Alta alla Bassa, l'apparecchio emette 3 segnali acustici e il display digitale lampeggia "88" 3 volte prima di visualizzare lo stato del riscaldamento attuale.

Dopo il passaggio dalla modalità Bassa a Off l'apparecchio emette 3 segnali acustici e il display digitale lampeggia continuamente "88". Per resettare la funzione riscaldamento, vedi il capitolo "Uso del telecomando".

ATTENZIONE

Al primo avviamento del riscaldatore può apparire un delicato odore. È un fenomeno normale e non dovrebbe ripetersi, a meno che il riscaldatore non verrà utilizzato per lungo periodo.

ATTENZIONE

Per migliorare il funzionamento, **punta** il telecomando verso la parte frontale del caminetto. **NON premere i pulsanti troppo in fretta.** Attendere un attimo finché l'apparecchio non reagisca ai singoli comandi.

Controllo della temperatura

Il riscaldatore è dotato del sistema di controllo della temperatura. Nel caso in cui viene raggiunta la temperatura pericolosamente alta, il riscaldatore si spegne. Per ripristinare il funzionamento:

1. Scollegare il cavo di alimentazione dalla spina.
2. Commutare l'interruttore ON/OFF sul PANNELLO DI CONTROLLO su OFF. **Attendere 5 minuti.**
3. Verificare se griglie di ventilazione del caminetto non siano coperte o tappate con polvere. Nel caso di intasamento, usare l'aspirapolvere per pulirle.
4. Con il commutatore impostato in posizione OFF, ricollegare il cavo di alimentazione alla spina.
5. Se il problema persiste, affidare la verifica della spina e del cablaggio allo specialista.

Informazioni sulle batterie del telecomando

- ^ In questo telecomando sono state utilizzate due batterie tipo AAA (non comprese).
- ^ Istruzione del montaggio di batterie si trova sul coperchio del vano delle batterie.



Non gettare **MAI** le batterie nel **fuoco**. Il mancato rispetto di tale requisito **può causare una esplosione**. Le batterie usate devono essere smaltite nei contenitori appositamente contrassegnati o portate al Punto di Raccolta Differenziata dei Rifiuti Urbani.

Pulizia e manutenzione

Pulizia



Prima di procedere alla pulizia, alla manutenzione o allo spostamento del caminetto, bisogna **SEMPRE spegnere** il riscaldatore e **scollegare il cavo di alimentazione dalla presa**. Il mancato rispetto di tale requisito può causare **una folgorazione, un incendio o lesioni al corpo**.



Non immergere MAI l'apparecchio in acqua e non spruzzare con acqua. Tale comportamento può causare **una folgorazione, un incendio o lesioni al corpo**.

Componenti in metallo:

- Lucidare con un panno secco, delicatamente umidificato con prodotto detergente a base di oli di agrumi.
- **NON** usare preparati per lucidare ottone o prodotti detergenti per la casa, perché questi prodotti danneggeranno di rifinitura in metallo.

Componenti in vetro:

- Utilizzare i prodotti per lavare le superfici in vetro di alta qualità, spruzzati sul panno o asciugamano. Asciugare accuratamente con asciugamano in carta o con panno anti pelucchi.
- Non usare **MAI** prodotti di pulizia abrasivi, aerosol o altri prodotti che possono graffiare la superficie.

Griglie di ventilazione:

- Rimuovere polvere e sporcizia dal riscaldatore e dalla superficie di griglie con l'aspirapolvere o il panno per polvere.

Elementi di plastica:

- Pulire delicatamente con un panno, leggermente umidificato con una leggera soluzione di detersivo per piatti e acqua tiepida.
- Non usare **MAI** prodotti di pulizia abrasivi, aerosol o altri prodotti che possono graffiare la superficie.

Manutenzione



Rischio di folgorazione! NON APRIRE i pannelli! L'apparecchio non contiene i componenti adatti per la riparazione in maniera autonoma!



Prima di procedere alla pulizia, alla manutenzione o allo spostamento del caminetto, bisogna **SEMPRE spegnere** il riscaldatore e **scollegare il cavo di alimentazione dalla presa**. Il mancato rispetto di tale requisito può causare **una folgorazione, un incendio o lesioni al corpo**.

Componenti elettrici e in movimento:

- Motori dei ventilatori sono stati lubrificati in fabbrica e non richiedono un'ulteriore lubrificazione.
- Componenti elettrici sono integrati nell'apparecchio e non possono essere riparati in modo autonomo.

Stoccaggio:

L'apparecchio non utilizzato deve essere immagazzinato in un luogo pulito, asciutto.



AVVERTIMENTO! I componenti elettrici interni **NON SONO ADATTI** alla riparazione in modo autonomo dall'utente.

AVVERTIMENTO

PRIMA DI PROCEDERE AD UN INTERVENTO DI MANUTENZIONE, SCOLLEGARE COMPLETAMENTE L'APPARECCHIO DALL'ALIMENTAZIONE E LASCIARLO RAFFREDARE. LA MANUTENZIONE E LA RIPARAZIONE DI APPARECCHI ELETTRICI POSSONO ESSERE EFFETTUATE ESCLUSIVAMENTE DAL PERSONALE QUALIFICATO DEL PUNTO ASSISTENZA.

Problema	Possibile causa	Soluzione
1. Caminetto si spegne e non è possibile riaccenderlo.	1. Caminetto è surriscaldato e la protezione ha provocato l'attivazione dell'interruttore termico o è stato attivato l'interruttore del circuito di alimentazione.	1. Resettare la protezione commutando l'interruttore di alimentazione su OFF e attendere 10 minuti, e poi riaccenderlo o premere l'interruttore automatico del circuito di alimentazione.
2. La fiamma non si muove.	1. Cavi allentati. 2. Motorino del meccanismo di fiamma danneggiato. 3. Bruciatore non si trova nel suo posto.	1. Verificare il cablaggio se non ci siano cavi allentati. 2. Contattare l'assistenza autorizzata per cambiare il motorino. 3. Il bruciatore poteva spostarsi durante il trasporto/spostamento. Le operazioni di riparazione richiedono di smontare il vetro anteriore, di capovolgere il caminetto, togliere il set di viti di fissaggio della lastra di fondo e di riposizionare il bruciatore al suo posto.
3. Fiamma è invisibile.	1. Cavi allentati.	1. Scollegare il cavo dalla fonte di alimentazione e verificare se non ci siano i collegamenti allentati. Riparare o cambiare, se necessario. 2. Premere il pulsante di fiamma per aumentare l'intensità dell'effetto.
4. Seti di ceppi non arde.	1. Cavi allentati. 2. Funzione di incandescenza è disattivata.	1. Scollegare il cavo dalla fonte di alimentazione e verificare se non ci siano i collegamenti allentati. Riparare o sostituire, se necessario. 2. Premere il pulsante di incandescenza per aumentare l'intensità dell'effetto.

5. Telecomando non funziona.	<ol style="list-style-type: none"> 1. Batterie scariche. 2. Trasmettitore di segnale non è puntato in modo corretto. 3. Telecomando e/o sensore danneggiato. 	<ol style="list-style-type: none"> 1. Cambiare le batterie nel telecomando. 2. Rivolgere il trasmettitore verso il sensore posizionato direttamente dietro un pannello in vetro al centro dell'apparecchio sopra ceppi. 3. Cambiare telecomando e/o sensore.
6. Caminetto non si avvia nonostante la commutazione dell'interruttore in posizione ON.	<ol style="list-style-type: none"> 1. Caminetto non è stato collegato ad una presa elettrica. 2. Guasto al sistema di comando. 3. Attivazione del fusibile. 	<ol style="list-style-type: none"> 1. Controllare la presa. 2. Contattare l'assistenza autorizzata. 3. Riattivare l'interruttore automatico.
7. Dopo l'accensione il riscaldatore non emette calore.	<ol style="list-style-type: none"> 1. Attivazione dell'interruttore termico. 2. Cavi allentati. 3. Guasto al riscaldatore. 	<ol style="list-style-type: none"> 1. Spegnerne l'apparecchio e scollegarlo dall'alimentazione per 10 minuti. Ricollegare la spina e accendere l'apparecchio. Se la spina non è disponibile, seguire le istruzioni relative alla protezione differenziale. 2. Scollegare il cavo dalla fonte di alimentazione e verificare se non ci siano i collegamenti allentati. Riparare o cambiare, se necessario. 3. Cambiare il riscaldatore.

ATTENZIONE: Per smontare il pannello in vetro, localizzare due viti su entrambi i lati della parte frontale dell'apparecchio (sul lato sinistro e destro). Dopo averle svitate, tirare il vetro su e toglierlo dal caminetto. Dopo aver rimosso la piastra di fondo sarà visibile un motorino di fiamma sul lato destro, dove dovrebbe essere posizionato il bruciatore insieme alle guarnizioni in gomma.

Occorre ricordare di scollegare l'apparecchio dall'alimentazione prima di procedere ai lavori. Il vetro e l'intero apparecchio devono essere sempre posti su un asciugamano o un altro materiale, che non causerà il danneggiamento di elementi/telaio.

L'intera procedura non dovrebbe richiedere più di 20-30 minuti.

MANUAL DE USUARIO

■ AV-WM36IMP

■ AV-WM43IMP

■ AV-WM50IMP

■ AV-WM60IMP

■ AV-WM72IMP



IMPERIAL 36"/43"/50"/60"/72"

Chimenea eléctrica, de pared / para empotrar

AC 220V-240V 50Hz 1400-1600 W



ADVERTENCIA

Antes de conectar o usar desde el dispositivo, **lea y entienda el manual completo del usuario**, incluida **toda la información de seguridad**. El incumplimiento de estas instrucciones puede **provocar incendios, descargas eléctricas o lesiones graves**.



¡ATENCIÓN!

Guarde esta guía del usuario para uso posterior. En caso de venta o entrega del dispositivo, **será necesario adjuntar estas instrucciones**.

INSTRUCCIONES IMPORTANTES DE SEGURIDAD:

ADVERTENCIA

Cuando utilice dispositivos eléctricos, siga siempre las precauciones básicas para reducir el riesgo de incendio, descarga eléctrica y lesiones personales, incluyendo los siguientes consejos:

- Lea todas las instrucciones antes de usar este dispositivo.
- El dispositivo se calienta durante su funcionamiento. Para evitar quemaduras, no toque las superficies calientes. Si está disponible, use las asas para trasladar el dispositivo. Mantenga los materiales combustibles como muebles, almohadas, ropa de cama, documentos, ropa y cortinas al menos a 1 m de la parte frontal del dispositivo. Mantenga todos estos objetos alejados de los laterales y la parte trasera del dispositivo. Para evitar el sobrecalentamiento, no cubra nada como electrodomésticos.
- Se debe tener especial cuidado cuando el dispositivo de calefacción se utiliza cerca de niños o personas discapacitadas y cuando se deja desatendido.
- El dispositivo no utilizado debe desconectarse de la fuente de alimentación.
- No encienda el dispositivo con un cable o enchufe dañado, o en el caso de un mal funcionamiento del dispositivo, o tras caer. Devuelva el dispositivo a un centro de servicio autorizado para su inspección, ajuste eléctrico o mecánico, o reparación.
- El dispositivo está diseñado solamente para uso en interiores.
- No utilice el dispositivo en baños, lavanderías y espacios similares. Nunca coloque el dispositivo donde pueda caer en una bañera u otro tanque de agua.
- No ponga el cable de alimentación debajo de la alfombra. No cubra el cable con alfombras, aceras u otros revestimientos. Mantenga el cable alejado de lugares frecuentados para que nadie tropiece con él.
- Para desconectar el dispositivo, apague todas las luces (posición "OFF") y luego desenchufe el cable de la toma de corriente.
- No coloque ni permita que ningún objeto entre en las aberturas de ventilación y los orificios de ventilación, ya que esto podría causar descargas eléctricas, incendios o daños al dispositivo.
- Para evitar el riesgo de incendio, no bloquee las entradas y salidas de aire. No utilice el dispositivo en superficies blandas, como una cama, donde se puedan bloquear las aberturas.
- La chimenea tiene elementos calefactores que pueden generar chispas y arcos eléctricos. No lo use en lugares donde se almacene gasolina, pintura u otros líquidos inflamables.
- Use la chimenea tal y como se describe en este manual. Cualquier otro uso no recomendado por el fabricante puede provocar incendios, descargas eléctricas o lesiones personales.
- PELIGRO: pueden generarse temperaturas ALTAS en condiciones de funcionamiento anormales. No cubra, total o parcialmente, el dispositivo de calefacción.
- Las lámparas se pueden reemplazar solo tras desconectar la chimenea de la fuente de alimentación.
- Este dispositivo no está diseñado para ser utilizado por personas (incluidos niños) con un rendimiento físico, mental o sensorial reducido o que carecen de los conocimientos o la experiencia adecuados, a menos que estén bajo la supervisión de una persona responsable de su seguridad o hayan sido instruidos por ellos en el área de uso del dispositivo. Asegúrese de que los niños no jueguen con el dispositivo.
- ¡ATENCIÓN! Para evitar el riesgo de reinicio involuntario de los interruptores de sobrecarga térmica, la chimenea no debe conectarse a un dispositivo de conmutación externo, como un programador o un circuito con un sistema de encendido y apagado cíclico.

Preparación

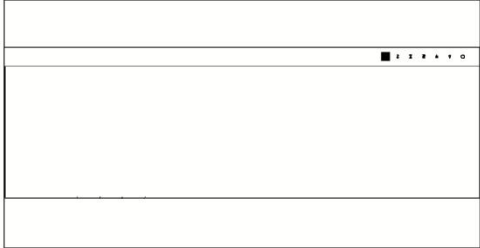



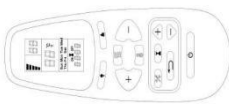
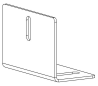
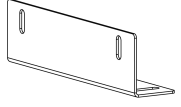






Este producto está equipado con un **panel de vidrio!** Siempre cuando maneje el **vidrio**, debe mantener una **precaución especial**. El incumplimiento de estas instrucciones puede provocar lesiones personales o daños a la propiedad.

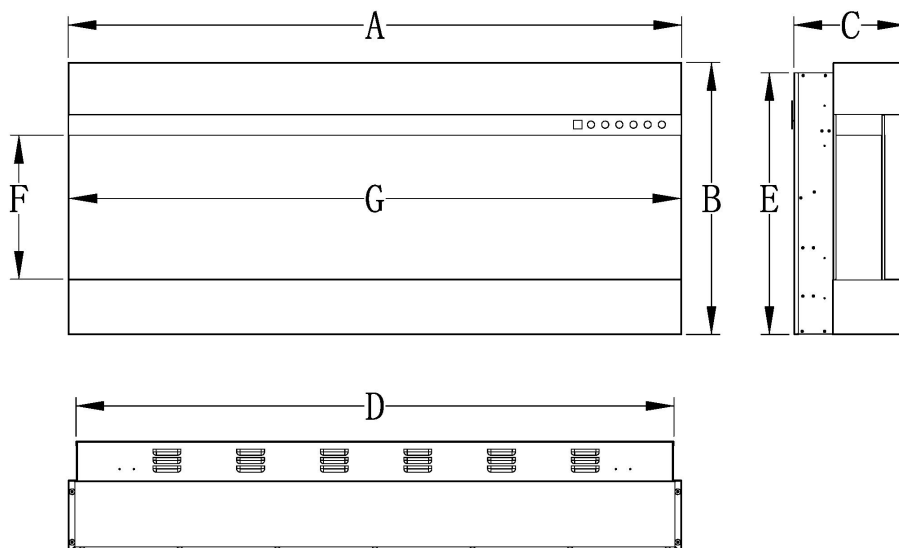
Retire todos los componentes y piezas de ensamblaje del cartón y colóquelos en una superficie limpia, suave y seca. Compruebe la lista de piezas para asegurarse de que no falta nada. Los materiales de embalaje deben desecharse adecuadamente. Siempre que sea posible, los residuos deben ser transferidos para su reprocesamiento.

Se requerirán las siguientes herramientas (no incluidas): destornillador de estrella; nivel de burbuja; cinta métrica; taladro; martillo.

Elementos y componentes para el montaje

 <p>A – Fireplace</p>			
	<p>B – Tornillos para madera</p>		<p>C – Anclajes</p>
	 <p>Mando a distancia</p>	 <p>E-Metal bracket (Bottom-Short one)</p>	 <p>F- Metal bracket (TOP-Longer one)</p>
 <p>G - Soporte de pared Montado en la parte posterior de la carcasa.</p>	 <p>H-Cristales</p>	 <p>I - Troncos de madera</p>	 <p>J - Bandeja de plástico</p>

Especificaciones y dimensiones



MEDIDAS DEL PRODUCTO

Número de modelo	A	B	C	D	E	F	G
AV-WM36IMP	36.6" 93cm	19.1" 48.4cm	7.9" 20cm	35.5" 90.2cm	18.3" 46.56cm	10.1" 25.61cm	36.4" 92.57cm
AV-WM43IMP	43.3" 110.2cm	19.1" 48.4cm	7.9" 20cm	42.2" 107.22cm	18.3" 46.56cm	10.1" 25.61cm	43.1" 109.6cm
AV-WM50IMP	50" 127cm	19.1" 48.4cm	7.9" 20cm	48.9" 124.2cm	18.3" 46.56cm	10.1" 25.61cm	49.8" 126.57cm
AV-WM60IMP	60" 152.4cm	19.1" 48.4cm	7.9" 20cm	58.9" 149.6cm	18.3" 46.56cm	10.1" 25.61cm	59.8" 151.97cm
AV-WM72IMP	72" 182.8cm	19.1" 48.4cm	7.9" 20cm	70.9" 180cm	18.3" 46.56cm	10.1" 25.61cm	71.8" 182.37cm

Montaje e instalación

El dispositivo está diseñado para ser montado sobre una pared, empotrado y / o en una carcasa. Elija un lugar adecuado que no sea susceptible a la humedad y que esté lejos de las cortinas, muebles y lugares con mucho tránsito.

¡ATENCIÓN! Todos los códigos eléctricos nacionales y locales deben ser observados.

DISTANCIA MÍNIMA A MANTENER PARA MATERIALES INFLAMABLES

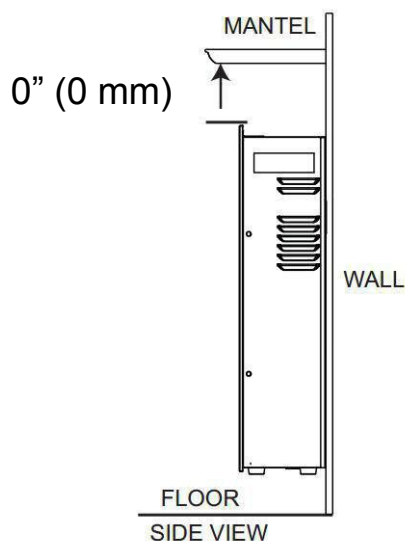
Las mediciones se deben realizar desde el panel frontal de vidrio.

Lado inferior	0"	Lado superior	8" (300mm) desde la carcasa
Laterales	0"	Lado superior	8" (300mm) desde el techo
Lado trasero	0"		

DISTANCIA MÍNIMA DE LA CARCASA

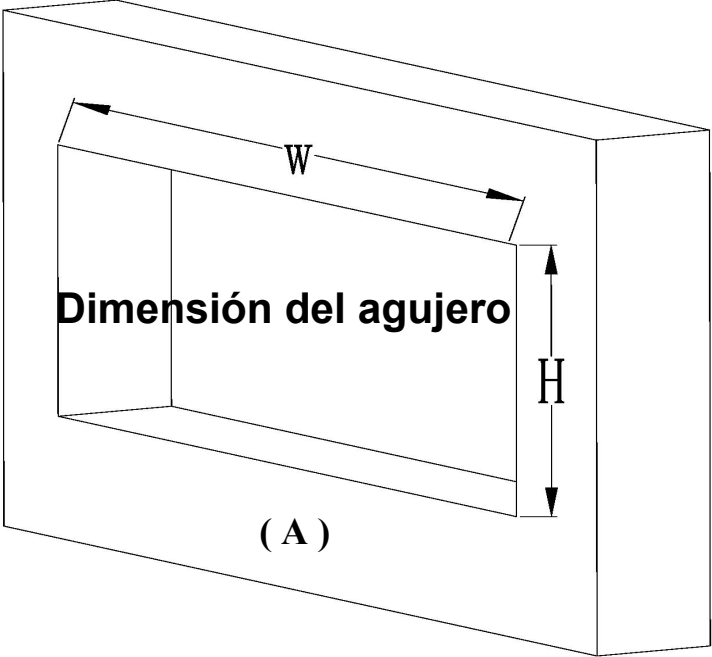
¡ATENCIÓN!

AL UTILIZAR PINTURA O BARNIZ PARA TERMINAR LA CARCASA, ESTAS DEBEN SER RESISTENTES AL CALOR PARA PREVENIR QUE SE DESTIÑEN.



MONTAJE EMPOTRADO EN LA PARED

NOTA: Instale la chimenea de tal manera que, en caso de falla, se pueda quitar de la pared para fines de servicio.

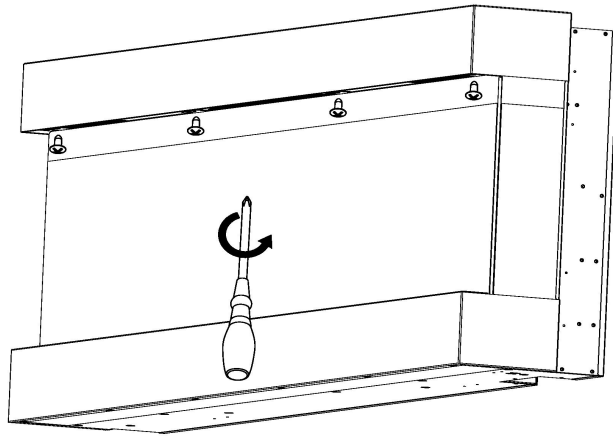


Paso A. Elija una pared con enlucido seco para hacer un agujero para la chimenea. El tamaño apropiado de los orificios se deben verificar en la tabla a continuación. **Dibujo (A)**

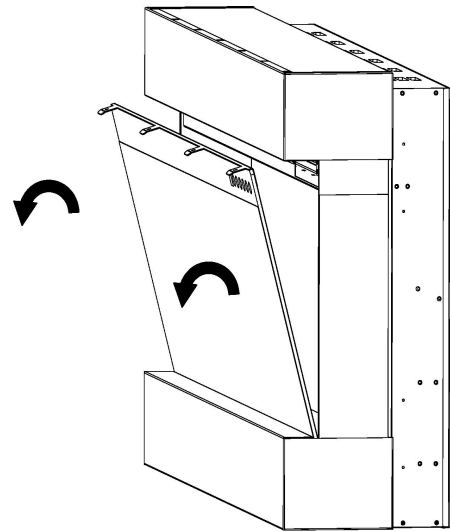
Dimensión del agujero		
Número de modelo	W	H
AV-WM36IMP	35.9" (91.2CM)	18.84" (47.86CM)
AV-WM43IMP	42.71" (108.3CM)	18.84" (47.86CM)
AV-WM50IMP	49.29" (125.2CM)	18.84" (47.86CM)
AV-WM60IMP	59.29" (150.6CM)	18.84" (47.86CM)
AV-WM72IMP	71.25" (181CM)	18.84" (47.86CM)

PASO B. Usando el destornillador para quitar los tornillos del frente **Figura (B)**

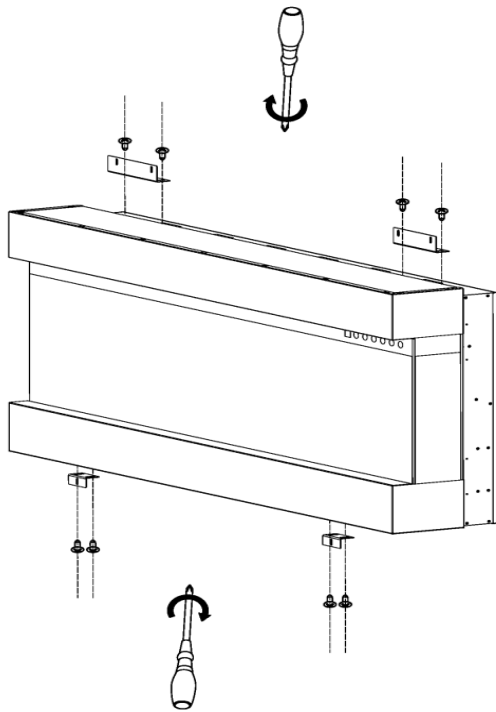
PASO C. Haga que dos personas adultas tiren del panel de vidrio y lo saquen **Figura (C)**



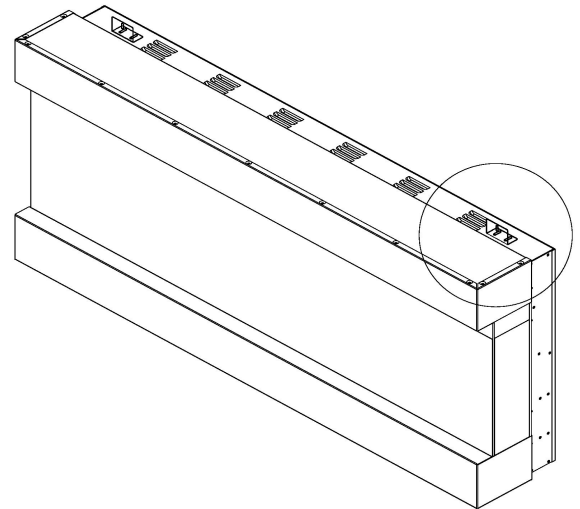
(B)



(C)



(D)

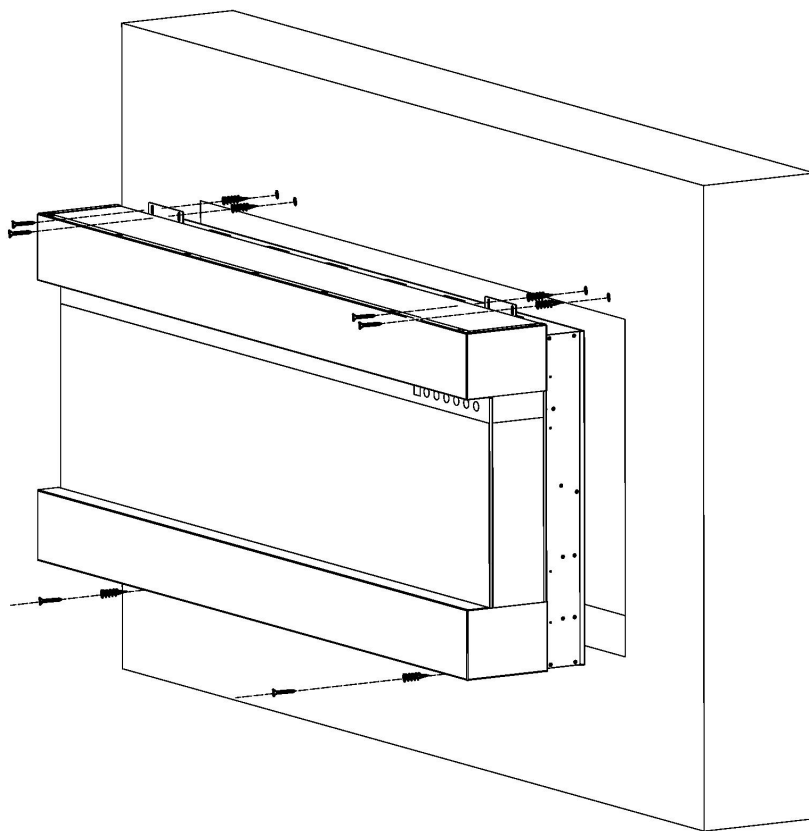


(E)

PASO D. Fije los soportes metálicos (E) en la PARTE INFERIOR y (F) en la PARTE SUPERIOR de la caja de la chimenea. **Figura (D, E)**

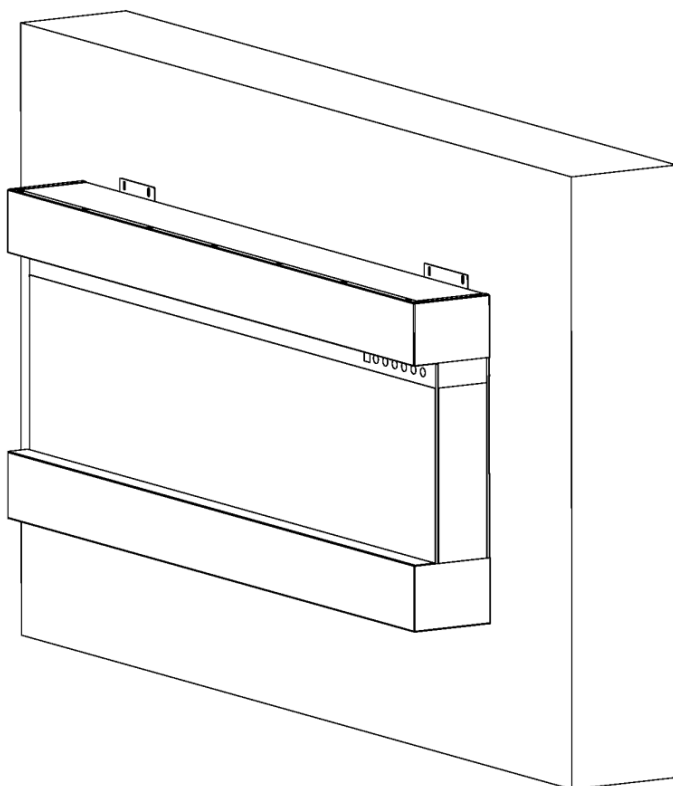
NOTA: Los soportes de metal se pueden usar como móviles, ajústelos a la mejor ubicación según sea necesario

PASO E. Haga que dos personas adultas levanten la caja de la chimenea y la pongan dentro del orificio de la pared. Utilice el destornillador para fijar todos los tornillos para madera y anclajes para paneles de yeso a través de los soportes metálicos a la pared y fíjelos firmemente. **NOTA:** Asegúrese de que todos los tornillos y anclajes para paneles de yeso estén bien atornillados.



(F)

PASO F. Su chimenea eléctrica se verá como se muestra a continuación después de la instalación



MONTAJE EN PARED

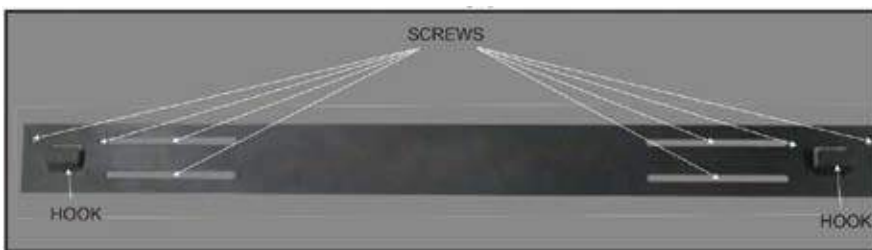
Debido a la gran variedad de materiales utilizados en diferentes paredes, se recomienda consultar a un profesional antes de instalar este dispositivo en la pared.

A. Elija un lugar que no sea susceptible a la humedad y que esté al menos a 100 cm de materiales inflamables, como cortinas, muebles, ropa de cama, papel, etc. B. Se necesitan dos personas para determinar la ubicación final.

C. Coloque el lado frontal de la carcasa de cara hacia abajo sobre una superficie suave y no abrasiva. Retire el soporte de la parte posterior del dispositivo desatornillando los tornillos, consulte la Figura 1.

D. Marque la ubicación, luego fije los soportes a la pared con los tornillos provistos. Los soportes DEBEN apuntar hacia arriba y el soporte debe estar nivelado.

¡ATENCIÓN! Se recomienda encarecidamente que el soporte de montaje (E) se atornille a los tacos de pared siempre que sea posible. Si no se pueden usar los tornillos de pared, asegúrese de que los anclajes de plástico suministrados se utilicen para fijar el soporte a la pared y que el soporte esté bien sujeto.



E. Después de instalar el soporte de montaje en pared, levante el dispositivo con la ayuda de otra persona y coloque los dos ganchos del soporte en los orificios de la parte posterior del dispositivo.

F. Compruebe la estabilidad del dispositivo, asegurándose de que el soporte no salga de la pared.

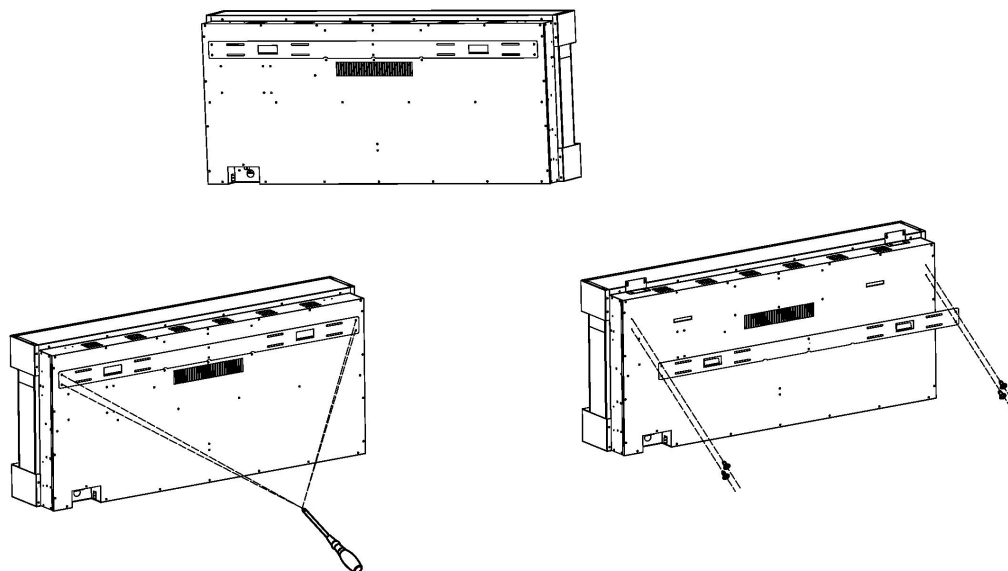


Ilustración de un soporte de pared para modelos AV-WM36-50IMP

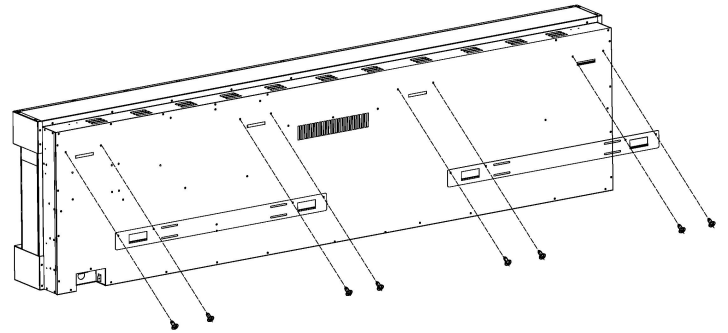
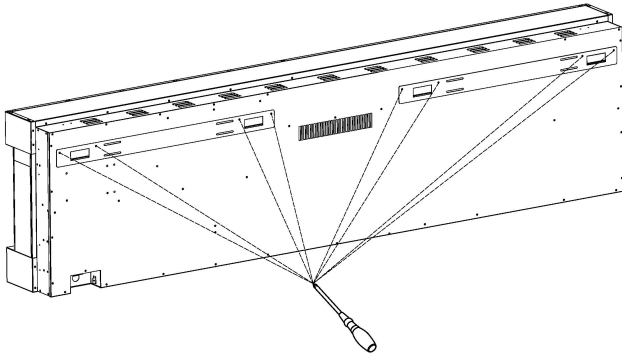
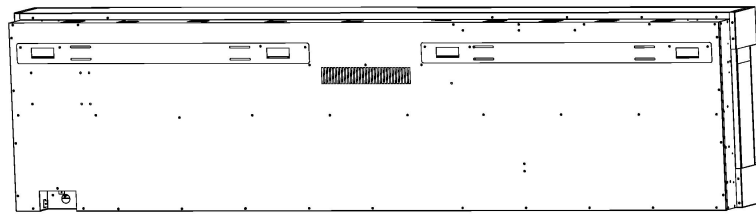
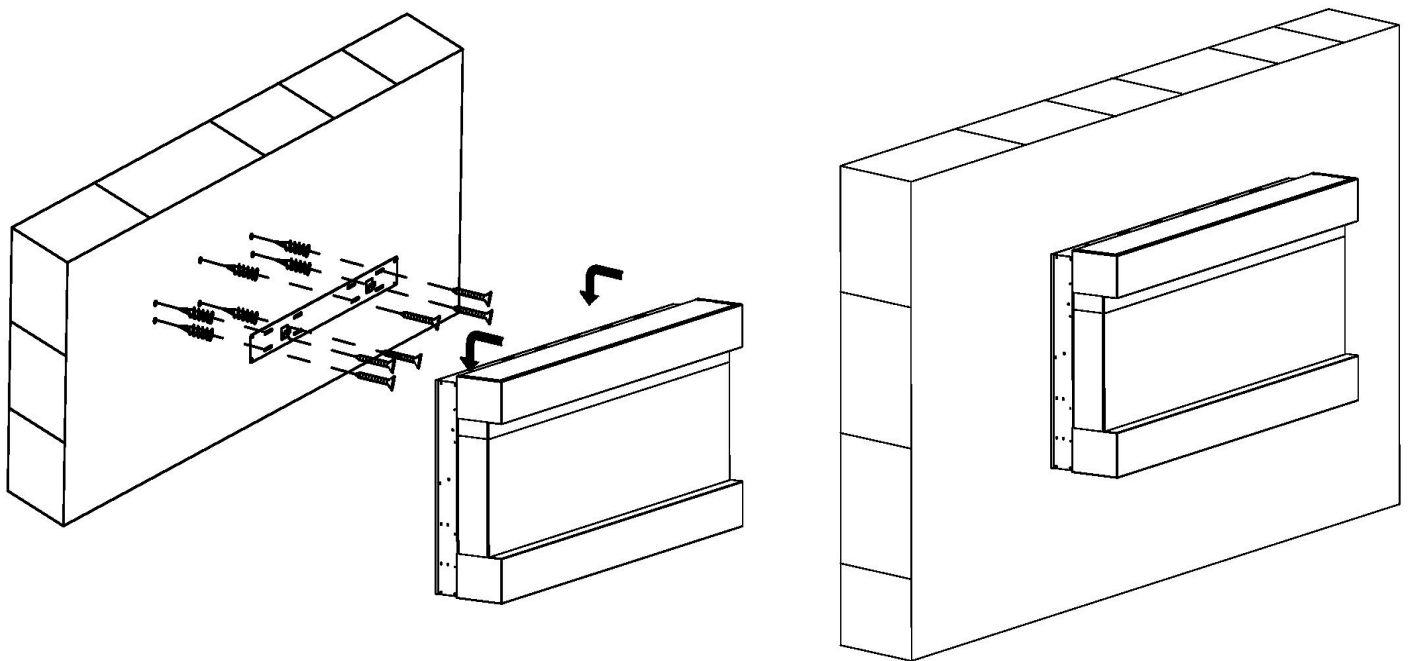


Ilustración de un soporte de pared para modelos AV-WM60-72IMP

G. Su chimenea eléctrica se verá como se muestra a continuación después de la instalación



Instalación del conjunto de madera / cristales

(ATENCIÓN: realice el montaje de acuerdo con el tipo de horno comprado o seleccionado)

- A.** Se debe quitar el frente de vidrio y el aparato debe montarse en su ubicación final antes de instalar el juego de leños / cristal / brasas.
- B.** Si su chimenea viene con un juego de leños, saque el juego de leños del paquete y colóquelo en la ranura para medios de la chimenea. **Figura 1.**
- C.** Para cambiar a Cristales, primero saque el juego de leños de la ranura de la chimenea, luego coloque la bandeja de plástico (**J**) en el lugar diseñado para la chimenea. Luego, coloque con cuidado las brasas de cristal en la bandeja de plástico como se muestra en la ilustración. Aplicar una capa uniforme de lado a lado. **Figura 2, Figura 3.**

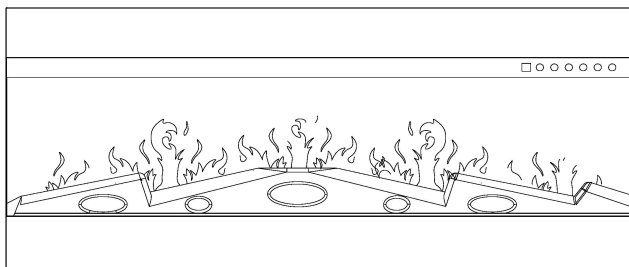


Figura 1

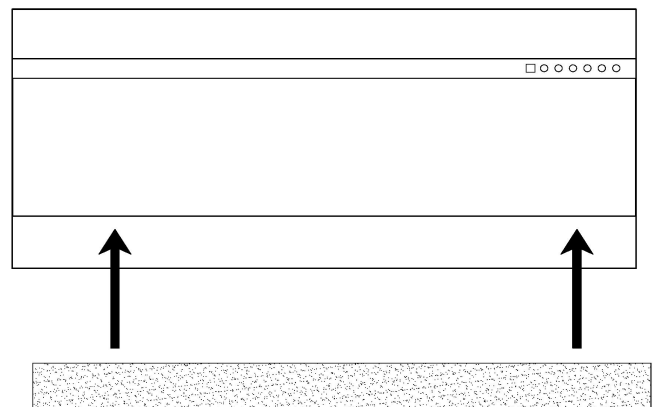


Figura 2



Figura 3. (cristales)

Funcionamiento



Antes de conectar o comenzar a utilizar el dispositivo, **lea concienzudamente** en su totalidad el manual completo del usuario, incluida **toda la información de seguridad**. El incumplimiento de estas instrucciones puede provocar incendios, **descargas eléctricas o lesiones graves**.

Conexión a la fuente de alimentación

Conecte el cable de alimentación a la toma de CA 220-240 V (consulte las **INSTRUCCIONES IMPORTANTES DE SEGURIDAD** en **páginas 2 y 3**). Asegúrese de que la enchufe de toma de corriente esté en buenas condiciones y que el enchufe macho no esté suelto. **NUNCA** no exceda la corriente de circuito permitida. **NO** conecte otros dispositivos al mismo circuito.



Modo de empleo

Esta chimenea se puede operar por medio del PANEL TÁCTIL ubicado en la parte frontal de la chimenea o mediante el CONTROL REMOTO, alimentado por baterías.

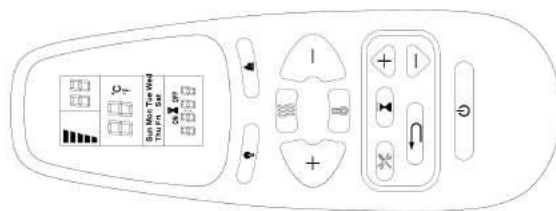
El funcionamiento y las funciones de ambos métodos son idénticos.





Antes de operar, lea las **INSTRUCCIONES IMPORTANTES DE SEGURIDAD** en las **páginas 2 y 3** y sígalas.

Panel de control / funcionamiento con mando a distancia


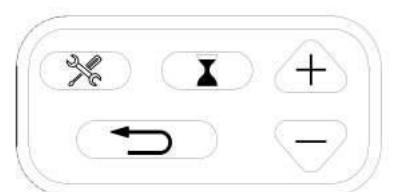



BOTÓN	FUNCIÓN	OPERACIÓN Y SEÑALIZACIÓN
 POWER	<p>ON Activa las funciones del panel de control y del mando a distancia. Se atribuye el efecto de llama.</p> <p>OFF Desactiva las funciones del panel de control y del mando a distancia. Apaga el efecto de llama.</p>	<ol style="list-style-type: none"> 1. Presione una vez: El indicador se enciende. Encendiendo la fuente de alimentación. Todas las funciones activas. 2. Presione de nuevo: Efecto de llama apagado. El dispositivo está en modo de espera. Todas las funciones desactivadas.
 TIMER	<p>Botón del temporizador: Ajuste la configuración del temporizador para apagar la chimenea a una hora determinada.</p> <p>Rango de ajuste de 0,5 a 8 horas.</p>	<ol style="list-style-type: none"> 1. Presione una vez: El indicador se encenderá. Programador ajustado a 0,5 horas. 2. Presione nuevamente hasta que el ajuste deseado sea. El indicador muestra el ajuste.
 FLAME	<p>Botón LLAMA: ajusta el brillo de la llama.</p> <p>¡ATENCIÓN! El efecto de llama permanece activo hasta que se presiona el botón de encendido. El efecto de llama debe estar encendido para activar el calentador.</p>	<ol style="list-style-type: none"> 1. Presione una vez: Cambiando el brillo del efecto llama. 2. Presione nuevamente hasta obtener el ajuste deseado.
 COLOR	<p>Botón de COLOR: Cambio de color para el efecto de llama.</p> <p>¡ATENCIÓN! El efecto de color permanece activo hasta que se presiona el botón de encendido. El efecto de color debe de estar encendido para activar el calentador.</p>	<ol style="list-style-type: none"> 1. Presione una vez: Cambio del color de la llama. 2. Presione nuevamente hasta obtener el ajuste deseado.
 HEATER	<p>Botón CALENTADOR: Enciende y apaga el calentador.</p> <p>¡ATENCIÓN! El calentador solo funcionará si el efecto de llama está activo. Si el efecto de la llama se apaga, el calentador no se encenderá.</p> <p>¡ATENCIÓN! Para evitar el sobrecalentamiento, el ventilador del calentador soplará aire fresco durante 10 segundos antes de encenderlo y después de que se este se haya apagado.</p>	<ol style="list-style-type: none"> 1. Presione una vez: El indicador se enciende. El ventilador expulsa aire fresco durante 10 segundos. El calentador se encenderá en nivel bajo y expulsará aire caliente. 2. Presione de nuevo: El indicador se ilumina. El calentador se encenderá en nivel alto y expulsará aire caliente. 3. Presione de nuevo: El calentador se apagará. El ventilador expulsa aire fresco durante 10 segundos permitiendo que el calentador se enfríe, luego se apaga.
 	<p>Botón de retroiluminación del tronco: Hace que cambie el color en la parte inferior del efecto.</p> <p>ATENCIÓN: El efecto de color permanece activo hasta que se pulsa el botón de encendido.</p>	<ol style="list-style-type: none"> 1. Pulse una vez. Cambio de color de la retroiluminación 2. Pulse de nuevo hasta alcanzar el ajuste deseado. Existen 10 colores disponibles. 3. Ciclo automático: Al pulsar 11 veces, los colores de la retroiluminación cambiarán automáticamente

Funcionamiento con mando a distancia


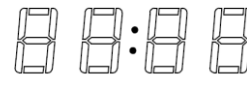



BOTÓN	FUNCIÓN	OPERACIÓN Y SEÑALIZACIÓN
 POWER	<p>ON Activa las funciones del panel de control y del mando a distancia. Se atribuye el efecto de llama.</p> <p>OFF Desactiva las funciones del panel de control y del mando a distancia. Apaga el efecto de llama.</p>	<ol style="list-style-type: none"> 1. Presione una vez: El indicador se enciende. Enciende la fuente de alimentación. Todas las funciones activas. 2. Presione de nuevo: Efecto de llama apagado. El dispositivo está en modo de espera. Todas las funciones desactivadas.
	<p>Botón de COLOR: Cambio de color para el efecto de llama.</p> <p>¡ATENCIÓN! El efecto de color permanece activo hasta que pulse el botón de encendido. El efecto de color debe de estar encendido para activar el calentador.</p>	<ol style="list-style-type: none"> 1. Presione una vez: Cambio del color de la llama. 2. Presione nuevamente hasta obtener el ajuste deseado.
	<p>Botón LLAMA: ajusta el brillo de la llama.</p> <p>¡ATENCIÓN! El efecto de llama permanece activo hasta que se presiona el botón de encendido. El efecto de llama debe estar encendido para activar el calentador.</p>	<ol style="list-style-type: none"> 1. Presione una vez: Cambiando el brillo del efecto llama. 2. Presione nuevamente hasta obtener el ajuste deseado.
 HEATER	<p>Botón CALENTADOR: Enciende y apaga el calentador.</p> <p>¡ATENCIÓN! El calentador solo funcionará si el efecto de llama está activo. Si el efecto de la llama se apaga, el calentador no se encenderá.</p> <p>¡ATENCIÓN! Para evitar el sobrecalentamiento, el ventilador del calentador soplará aire fresco durante 8-10 segundos antes de encender el calentador y tras haberse apagado.</p>	<ol style="list-style-type: none"> 1. Presione una vez: El indicador se enciende. El ventilador expulsa aire fresco durante 10 segundos. El calentador se encenderá en nivel bajo y expulsará aire caliente. 2. Presione de nuevo: El indicador se ilumina. El calentador se encenderá en nivel alto y expulsará aire caliente. 3. Presione de nuevo: El calentador se apaga. El ventilador expulsa aire fresco durante 10 segundos permitiendo que el calentador se enfríe, luego se apagará.

CONFIGURACIÓN DEL PROGRAMADOR CON EL MANDO A DISTANCIA








	Temporizador: Muestra el día actual, la hora y la semana. Presione para introducir o confirmar la configuración.	
	Ajustes: Para ir al siguiente paso (pulse el botón del temporizador). Pulse para confirmar el programa de la semana.	
	Volver: Presione para borrar la configuración. Para volver al paso anterior (pulse el botón de configuración).	
	Parte superior / inferior (se usa con el botón Configuración).	

Pantalla digital


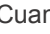


Días de la semana →	Sun Mon Tue Wed Thu Fri Sat	<p>¡Atención! Las funciones solo se pueden ajustar cuando las letras o números correspondientes están parpadeando.</p> <p>¡Atención! Ajuste el reloj a la hora actual antes de los ajustes semanales.</p>
Visualización del tiempo →	ON  OFF	
Hora actual / Temporizador de 00:00 a 24:00		

 TEMP	<p>Botón de TEMPERATURA: Enciende y apaga el calentador.</p> <p>¡ATENCIÓN! Mantenga presionado el botón durante 5 segundos, la escala cambiará de °C a °F. Lo mismo de °F a °C.</p>	<p>1. Presione una vez: El indicador se enciende. La temperatura cambiará a 18°C.</p> <p>2. Presione nuevamente hasta obtener el ajuste deseado. La pantalla muestra el ajuste de la tabla:</p>																																																								
	<table border="1"> <tr> <th>NO</th> <th>0</th> <th>1</th> <th>2</th> <th>3</th> <th>4</th> <th>5</th> <th>6</th> <th>7</th> <th>8</th> <th>9</th> <th>10</th> <th>11</th> <th>12</th> </tr> <tr> <td>°C</td> <td>18</td> <td>19</td> <td>20</td> <td>21</td> <td>22</td> <td>23</td> <td>24</td> <td>25</td> <td>26</td> <td>27</td> <td>28</td> <td>29</td> <td>30</td> </tr> <tr> <td>°F</td> <td>64</td> <td>66</td> <td>68</td> <td>70</td> <td>72</td> <td>74</td> <td>76</td> <td>78</td> <td>80</td> <td>82</td> <td>84</td> <td>86</td> <td>88</td> </tr> <tr> <td></td> <td>65</td> <td>67</td> <td>69</td> <td>71</td> <td>73</td> <td>75</td> <td>77</td> <td>79</td> <td>81</td> <td>83</td> <td>85</td> <td>87</td> <td></td> </tr> </table>	NO	0	1	2	3	4	5	6	7	8	9	10	11	12	°C	18	19	20	21	22	23	24	25	26	27	28	29	30	°F	64	66	68	70	72	74	76	78	80	82	84	86	88		65	67	69	71	73	75	77	79	81	83	85	87		
	NO	0	1	2	3	4	5	6	7	8	9	10	11	12																																												
°C	18	19	20	21	22	23	24	25	26	27	28	29	30																																													
°F	64	66	68	70	72	74	76	78	80	82	84	86	88																																													
	65	67	69	71	73	75	77	79	81	83	85	87																																														

1 Introducir el día y la hora actuales






1. Pulsar  una vez. Cuando "MON" (lunes) comience a parpadear, use  para seleccionar el día actual.
2. Pulsar  Cuando los dígitos de la hora comiencen a parpadear, use  para justar las horas.
3. Pulsar  de nuevo. Cuando los números de los minutos comiencen a parpadear, use  para ajustar los minutos.
4. Pulsar  de nuevo. La hora actual se ha establecido.

2 Establecer la hora y temperatura de encendido / apagado en el programa semanal

1. Pulsar . Cuando "MON" parpadee (lunes), presione  3 veces. Cuando parpadee "ON", use  para seleccionar la hora y minutos deseados para ENCENDER la calefacción  en cualquier momento para borrar dígitos y apagar el temporizador.









¡ATENCIÓN!

El temporizador solo se puede ajustar en pasos de 30 minutos (por ejemplo, 00:00 - 00:30, 00:30 - 01:00, etc.)

2. Pulsar  Cuando "OFF" empiece a parpadear, utilice  para seleccionar la hora y los minutos deseados APAGAR la calefacción.
Pulsar  en cualquier momento para borrar dígitos y apagar el temporizador.
3. Pulsar  Otra vez. Cuando "18" parpadee, use  para seleccionar la temperatura deseada para el lunes.

¡ATENCIÓN!

Si la temperatura se estableció previamente, estos dígitos se mostrarán en lugar de "18".

4. Pulsar  Otra vez. Cuando "TUES" (martes) y "ON" parpadeen, use  para seleccionar la hora y los minutos deseados para encender la calefacción el martes.
5. Pulsar  Otra vez. Cuando "OFF" parpadee, use  para seleccionar la hora y los minutos deseados para apagar la calefacción el martes.
6. Pulsar  Otra vez. Cuando "18" parpadee, use  para seleccionar la temperatura deseada para el martes.
7. Repita los pasos de 1 a 6 para configurar la hora de encendido / apagado y la temperatura para miércoles (WED), jueves (THURS), viernes (FRI), sábado (SAT) y domingo (SUN).
8. Pulsar  o  para completar la configuración, asegurándose de que el mando a distancia apunte hacia el receptor en el centro del dispositivo. El dispositivo emitirá un pitido para confirmar que la programación terminó con éxito.

Advertencia sobre ventanas abiertas

Si la temperatura de la habitación desciende a 10 grados en 3 minutos, el dispositivo asumirá que hay una ventana abierta cerca. Para ahorrar energía, la chimenea cambiará automáticamente del modo Alto al Bajo o si el calentador ya está en el modo Bajo, se apagará completamente.

Después de cambiar del modo Alto a Bajo, el dispositivo emitirá tres pitidos y la pantalla digital parpadeará "88" tres veces antes de mostrar el estado de calentamiento existente.

Después de cambiar del modo bajo a "OFF", el dispositivo emitirá tres pitidos y la pantalla digital parpadeará constantemente "88".

Para restablecer la función de calefacción, consulte el capítulo "Manejo del mando a distancia".

¡ATENCIÓN!

Durante la primera puesta en marcha del calentador, puede aparecer un olor ligero. Este es un fenómeno normal y no debe repetirse a menos que el calentador no se use durante mucho tiempo.

¡ATENCIÓN!

Para mejorar el rendimiento, **dirija** al frente de la chimenea. **NO presione los botones demasiado rápido**. Espere un momento hasta que el dispositivo responda a cada comando.

Control de limitación de temperatura.

El calentador está equipado con control de limitación de temperatura. En caso de temperaturas peligrosamente altas, el calentador se apagará. Para restaurar su funcionamiento:

1. Desenchufe el cable de alimentación de la toma de corriente.
2. Gire el interruptor de ENCENDIDO / APAGADO en el PANEL DE CONTROL en posición OFF. **Espere 5 minutos.**
3. Compruebe que las rejillas de ventilación de la chimenea no estén cubiertas u obstruidas con polvo. En el caso de obstrucción, use una aspiradora para limpiarlo.
4. Con el interruptor en la posición OFF, vuelva a conectar el cable de alimentación a la toma de corriente de la pared.
5. Si el problema persiste, haga verificar la conexión y el cableado por un especialista.

Información sobre las pilas del mando a distancia

En este control remoto hay dos pilas **AAA** (no incluidas).



NUNCA tire las pilas al **fuego**. El incumplimiento de este requisito **puede provocar una explosión**. Las baterías usadas se deben tirar en contenedores especialmente marcados o entregarse en el Punto de recogida selectiva de residuos municipales.

Limpieza y mantenimiento

Limpieza



Antes de limpiar, mantener o mover la chimenea, debe **apagar SIEMPRE** el calefactor y **desconectar el cable de alimentación de la toma**. El incumplimiento de estas instrucciones puede provocar incendios, **descargas eléctricas o lesiones graves**.



NUNCA sumerja el aparato en agua ni lo rocíe con agua. De lo contrario, se pueden producir **descargas eléctricas, incendios o lesiones**.

Elementos de metal:

- Pulir con un paño seco, ligeramente humedecido en un producto de limpieza a base de aceites cítricos.
- **NO** use productos de limpieza para pulir latón o productos de limpieza domésticos, ya que estos productos dañarán el acabado metálico.

Elementos de vidrio:

- Use un limpiador de vidrios de alta calidad, rociando sobre un paño o toalla. Seque bien con una toalla de papel o un paño que no suelte pelusa.
- **NUNCA** use limpiadores abrasivos, aerosoles u otros productos que puedan arañar la superficie.

Rejillas de ventilación:

- Elimine el polvo y la suciedad de las superficies del calentador y la rejilla con una aspiradora o un paño para polvo.

Componentes de plástico:

- Limpie suavemente con un paño ligeramente humedecido con una solución suave de detergente para platos y agua tibia.
- **NUNCA** use limpiadores abrasivos, aerosoles u otros productos que puedan arañar la superficie.

Mantenimiento



¡Riesgo de descarga eléctrica! ¡NO ABRIR ningún panel! ¡El dispositivo no contiene partes para auto-reparación!



Antes de limpiar, mantener o mover la chimenea, debe **apagar SIEMPRE** el calefactor y **desconectar el cable de alimentación de la toma**. El incumplimiento de estas instrucciones puede provocar incendios, **descargas eléctricas o lesiones graves**.

Componentes eléctricos y móviles:

- Los motores de los ventiladores han sido pre-lubricados y no requieren lubricación posterior.
- Los componentes eléctricos están integrados en el dispositivo y no pueden ser reparados individualmente.

Almacenamiento:

Guarde el dispositivo no utilizado en un lugar limpio y seco.



¡ADVERTENCIA! Los componentes eléctricos internos **NO ESTÁN DISEÑADOS** para la reparación propia del usuario.

Técnicas y Procedimientos Diagnósticos

⚠ ¡ADVERTENCIA!

ANTES DE CUALQUIER ACCIÓN DE SERVICIO, DESCONECTE EL DISPOSITIVO DEL SUMINISTRO DE ENERGÍA Y ESPERE A QUE SE ENFRÍE. EL EQUIPO ELÉCTRICO SE PUEDE MANTENER Y REPARAR SOLAMENTE POR UNA PERSONA DE SERVICIO CUALIFICADA.

Problema	Causa posible	Solución
1. La chimenea se apaga y no se puede volver a encender.	1. La chimenea se recalentó y la protección activó el interruptor térmico o se activó el disyuntor.	1. Restablezca la protección apagando el interruptor de encendido (OFF) y esperando 10 minutos, luego enciéndalo nuevamente o presione el interruptor en el circuito de alimentación.
2. La llama no se mueve.	1. Cables sueltos. 2. Mecanismo de llama dañado. 3. El enchufe no está en su lugar.	1. Revise el cableado para ver si hay conexiones flojas. 2. Póngase en contacto con un técnico de servicio autorizado para sustituir el motor. 3. La antorcha podría haberse movido durante el transporte / traslado. Las acciones correctivas requieren el desmontaje del panel de vidrio frontal, voltear la chimenea, retirar los tornillos que fijan la placa inferior y colocar el quemador en su lugar.
3. La llama no se ve.	1. Cables sueltos.	1. Desenchufe el cable de la fuente de alimentación y verifique si hay conexiones sueltas. Reparar o sustituir si es necesario. 2. Presiona el botón de la llama para aumentar el efecto.
4. El conjunto de la madera brilla.	1. Cables sueltos. 2. La función de brillo está desactivada.	1. Desenchufe el cable de la fuente de alimentación y verifique si hay conexiones sueltas. Reparar o sustituir si es necesario. 2. Presione el botón de encendido para aumentar la intensidad del efecto.
5. El mando a distancia no funciona.	1. Pilas agotadas. 2. Transmisor de señal incorrectamente dirigido. 3. Control remoto y / o sensor dañado.	1. Reemplace las pilas en el control remoto. 2. Apunte el transmisor al sensor ubicado directamente detrás del panel de vidrio en el centro del dispositivo, sobre la madera. 3. Reemplace el control remoto y / o el sensor.
6. La chimenea no arranca a pesar de cambiar el interruptor a la posición ON.	1. La chimenea no ha sido conectada a una toma de corriente. 2. Fallo de control. 3. Liberando el fusible.	1. Comprueba el enchufe. 2. Póngase en contacto con un centro de servicio autorizado. 3. Vuelva a colocar el interruptor de circuito de nuevo.

7. Tras el encendido, el calefactor no emite calor.	1. Activación del interruptor térmico.	1. Apague el dispositivo y desconéctelo de la fuente de alimentación durante 10 minutos. Introduzca nuevamente el enchufe y encienda el dispositivo. Si el enchufe no está disponible, siga las instrucciones para el dispositivo de corriente residual.
	2. Cables sueltos.	2. Desenchufe el cable de la fuente de alimentación y verifique si hay conexiones sueltas. Reparar o sustituir si es necesario.
	3. Fallo del calentador.	3. Reemplace el fusor.

¡ATENCIÓN! Para desmontar el panel de vidrio, localice los dos tornillos en ambos lados de la parte frontal del dispositivo (izquierda y derecha). Después de desatornillarlos, deslice el panel de vidrio hacia arriba y sáquelo de la chimenea. Después de retirar la placa inferior, se verá el motor de la llama en el lado derecho, donde el quemador se debe colocar junto con las juntas de goma.

Recuerde desconectar el dispositivo de la fuente de alimentación antes de continuar con cualquier trabajo. El cristal y todo el dispositivo deben colocarse siempre sobre una toalla u otro material que no dañe las partes / marco.

Todo este procedimiento no debe tomar más de 20-30 minutos.

MANUEL D'UTILISATION

■ AV-WM36IMP

■ AV-WM43IMP

■ AV-WM50IMP

■ AV-WM60IMP

■ AV-WM72IMP



IMPERIAL 36"/43"/50"/60"/72"
Foyer électrique mural / à encastrer
AC 220V-240V 50Hz 1400-1600 W

⚠ AVERTISSEMENT

Avant de raccorder ou d'utiliser l'appareil, lisez et comprenez le manuel d'utilisation complet, y compris toutes les consignes de sécurité. Le non-respect de cette exigence peut entraîner un incendie, un choc électrique ou des blessures graves.

⚠ ATTENTION

Conservez ce manuel d'utilisation pour pouvoir l'utiliser dans le futur. Si vous vendez ou remettez l'appareil, il est essentiel que vous joigniez le manuel d'utilisation à celui-ci.



CONSIGNES DE SÉCURITÉ

AVERTISSEMENT

Lorsque vous utilisez de l'équipement électrique, prenez toujours des précautions de base pour réduire les risques d'incendie, de choc électrique et de blessures corporelles, en tenant compte de ce qui suit :

- Lisez toutes les instructions avant d'utiliser cet appareil.
- L'appareil se réchauffe pendant le fonctionnement. Pour éviter les brûlures, ne touchez pas les surfaces chaudes. Si possible, utilisez les poignées pour déplacer l'appareil. Gardez les matériaux combustibles tels que meubles, oreillers, literie, documents, vêtements et rideaux à au moins 1 m de l'avant de l'appareil. Éloignez tous ces objets des côtés et de l'arrière de l'appareil. Pour éviter toute surchauffe, ne couvrez pas l'appareil.
- Soyez particulièrement prudent lorsque vous utilisez l'appareil de chauffage près d'enfants ou de personnes handicapées et lorsqu'il est allumé sans surveillance.
- Lorsqu'il n'est pas utilisé, débranchez l'appareil de l'alimentation électrique.
- N'utilisez pas l'appareil si le câble d'alimentation ou la fiche est endommagée, ou en cas de défaillance de l'appareil, de chute de hauteur. Retournez l'appareil à un centre de service agréé pour inspection, réglage électrique ou mécanique ou réparation.
- L'appareil est conçu uniquement pour un usage à l'intérieur.
- N'utilisez pas l'appareil dans les salles de bains, les buanderies et d'autres endroits similaires. Ne placez jamais l'appareil dans un endroit où il pourrait tomber dans une baignoire ou un autre réservoir d'eau.
- Ne faites pas passer le câble d'alimentation sous un tapis. Ne couvrez pas le câble avec des tapis ou des moquettes. Éloignez le câble des endroits fréquemment utilisés afin que personne ne trébuche dessus.
- Pour arrêter l'appareil, mettez tous les voyants sur "OFF", puis débranchez le câble d'alimentation de la prise murale.
- N'insérez pas ou ne laissez pas d'objets de quelque nature que ce soit pénétrer dans les ouvertures de ventilation ou les événements d'aération, car cela pourrait provoquer un choc électrique, un incendie ou endommager l'appareil.
- Pour éviter tout risque d'incendie, ne bloquez en aucune façon les entrées et sorties d'air. N'utilisez pas l'appareil sur des surfaces souples telles que des lits où les ouvertures peuvent être bloquées.
- Le foyer a des éléments chauffants à l'intérieur et peut produire des étincelles et des arcs électriques. N'utilisez pas l'appareil dans les zones de stockage d'essence, de peintures ou d'autres liquides inflammables.
- N'utilisez le foyer que de la façon décrite dans ce manuel. Toute autre utilisation non recommandée par le fabricant peut provoquer un incendie, un choc électrique ou des blessures corporelles.
- DANGER - Des températures élevées peuvent être générées dans des conditions de fonctionnement inadéquates. Ne couvrez pas tout ou partie de l'avant de l'appareil.
- Les lampes ne peuvent être remplacées qu'après que le foyer ait été débranché de l'alimentation électrique.
- Cet appareil n'est pas destiné à être utilisé par les personnes (y compris les enfants) ayant des capacités physiques, mentales ou sensorielles réduites ou un manque de connaissances ou d'expérience appropriées, à moins qu'elles ne soient sous la supervision d'une personne responsable de leur sécurité ou qu'elles ne reçoivent des instructions d'une telle personne. Il faut s'assurer que les enfants ne jouent pas avec l'appareil.
- ATTENTION : Afin d'éviter tout risque de remise à zéro involontaire des interrupteurs de surcharge thermique, le foyer ne doit pas être raccordé à un dispositif de commutation externe tel qu'un programmateur ou un circuit à allumage et extinction cyclique.

Préparation

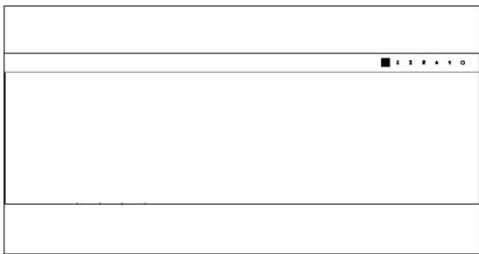
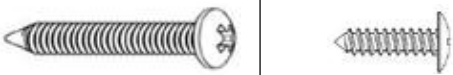
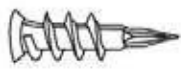

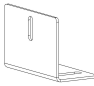
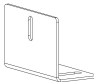


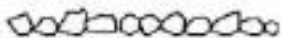



Ce produit est équipé d'un panneau de verre ! Soyez toujours très prudent lorsque vous manipulez du verre. Le non-respect de cette consigne peut entraîner des blessures corporelles ou des dommages matériels.

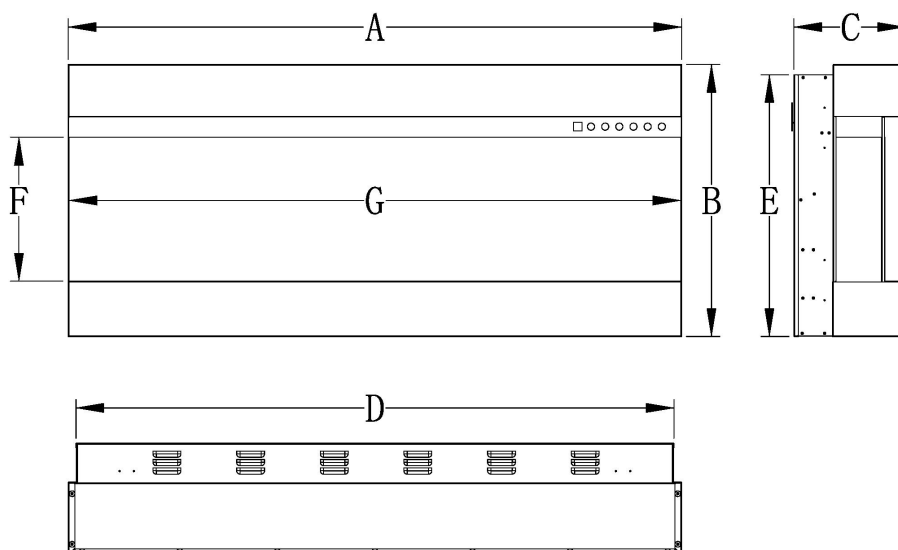
Retirez tous les composants et les éléments de montage du carton et placez-les sur une surface propre, souple et sèche. Vérifiez la liste des pièces pour vous assurer qu'il ne manque rien. Les matériaux d'emballage doivent être éliminés de façon appropriée. Dans la mesure du possible, les déchets devraient être remis pour retraitement.

Les **outils suivants seront nécessaires (non inclus)** : tournevis Phillips, niveau à bulle, mesure, perceuse, marteau.

Composants et éléments de fixation

 <p>A – Foyer</p>	 <p>B – Vis à bois</p>	 <p>C – Ancrages</p>	
	 <p>Télécommande</p>	 <p>E-Support métallique (Bas - Court)</p>	 <p>F- Support métallique (Haut - Plus long)</p>
 <p>G - Support mural Monté à l'arrière du boîtier</p>	 <p>H-Cristaux</p>	 <p>I - Bûches</p>	 <p>J - Plateau en plastique</p>

Spécification et Dimension



DIMENSIONS DU PRODUIT

Numéro de modèle	A	B	C	D	E	F	G
AV-WM36IMP	36.6" 93cm	19.1" 48.4cm	7.9" 20cm	35.5" 90.2cm	18.3" 46.56cm	10.1" 25.61cm	36.4" 92.57cm
AV-WM43IMP	43.3" 110.2cm	19.1" 48.4cm	7.9" 20cm	42.2" 107.22cm	18.3" 46.56cm	10.1" 25.61cm	43.1" 109.6cm
AV-WM50IMP	50" 127cm	19.1" 48.4cm	7.9" 20cm	48.9" 124.2cm	18.3" 46.56cm	10.1" 25.61cm	49.8" 126.57cm
AV-WM60IMP	60" 152.4cm	19.1" 48.4cm	7.9" 20cm	58.9" 149.6cm	18.3" 46.56cm	10.1" 25.61cm	59.8" 151.97cm
AV-WM72IMP	72" 182.8cm	19.1" 48.4cm	7.9" 20cm	70.9" 180cm	18.3" 46.56cm	10.1" 25.61cm	71.8" 182.37cm

Montage et installation

L'appareil est conçu pour être monté sur un mur, encastré et/ou dans un boîtier. Choisissez un endroit qui n'est pas sensible à l'humidité et éloigné des rideaux, des meubles et de la circulation intense.

ATTENTION : Respectez toutes les réglementations électriques nationales et locales.

DISTANCE MINIMALE PAR RAPPORT AUX MATÉRIAUX INFLAMMABLES

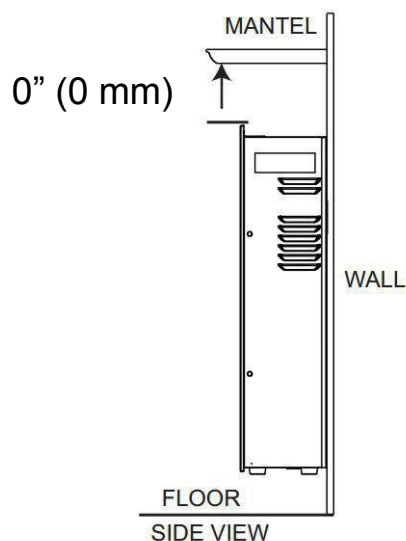
Les mesures sont effectuées à partir de la façade en verre.

Bas	0"	Haut	8" (300mm) à partir du boîtier
Côtés	0"	Haut	8" (300mm) à partir du plafond
Arrière	0"		

DISTANCE MINIMALE PAR RAPPORT AU BOÎTIER

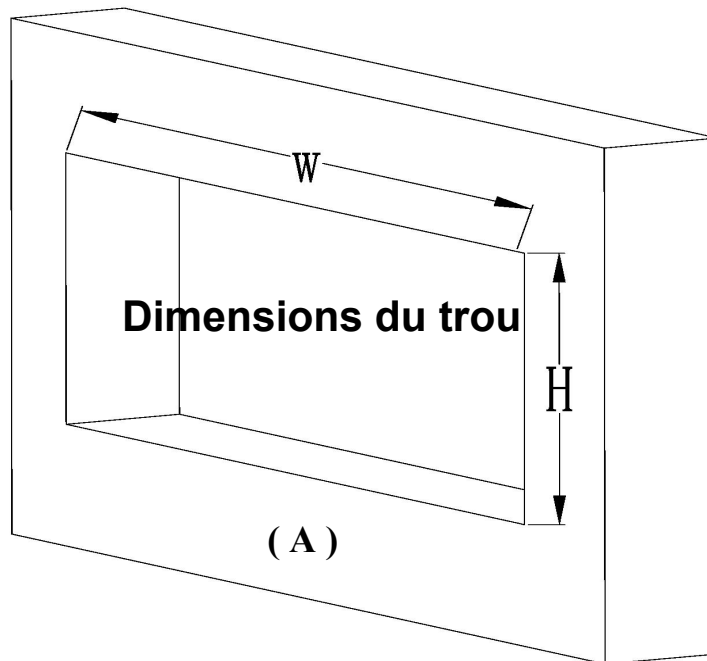
ATTENTION

LORS DE L'UTILISATION DE PEINTURE OU DE VERNIS POUR LA FINITION DU BOÎTIER, LA PEINTURE OU LE VERNIS DOIT ÊTRE RÉSISTANT À LA CHALEUR POUR ÉVITER LA DÉCOLORATION.



MONTAGE ENCASTRÉ DANS LE MUR

REMARQUE: Installez le foyer de manière à ce qu'en cas de panne, il puisse être retiré du mur à des fins d'entretien.

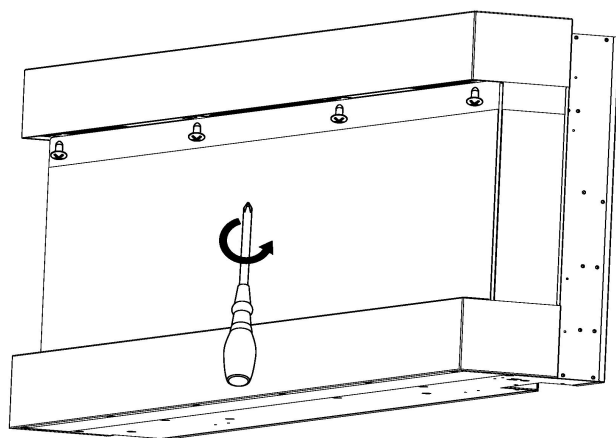


Étape A. Choisissez un mur de plâtre sec pour faire un trou pour le foyer. Consulter le tableau suivant pour connaître les dimensions des trous correspondants. **Figure (A)**

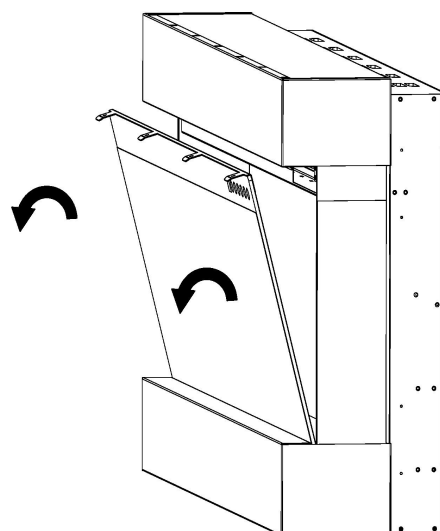
Dimensions du trou		
Numéro de modèle	W	H
AV-WM36IMP	35.9" (91.2CM)	18.84" (47.86CM)
AV-WM43IMP	42.71" (108.3CM)	18.84" (47.86CM)
AV-WM50IMP	49.29" (125.2CM)	18.84" (47.86CM)
AV-WM60IMP	59.29" (150.6CM)	18.84" (47.86CM)
AV-WM72IMP	71.25" (181CM)	18.84" (47.86CM)

ÉTAPE B. Utilisation du tournevis pour retirer les vis de l'avant **Figure (B)**

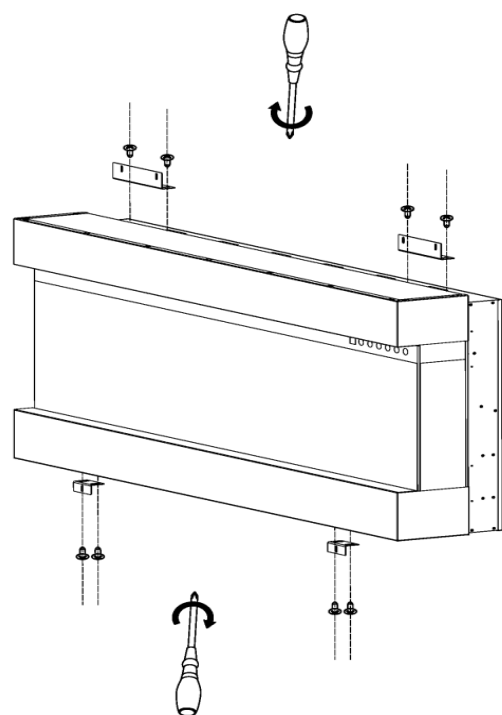
ÉTAPE C. Demandez à deux adultes de tirer le panneau de verre et de le retirer **Figure (C)**



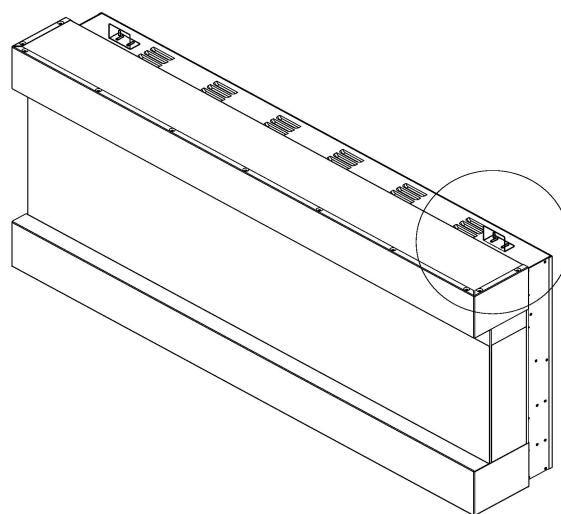
(B)



(C)



(D)



(E)

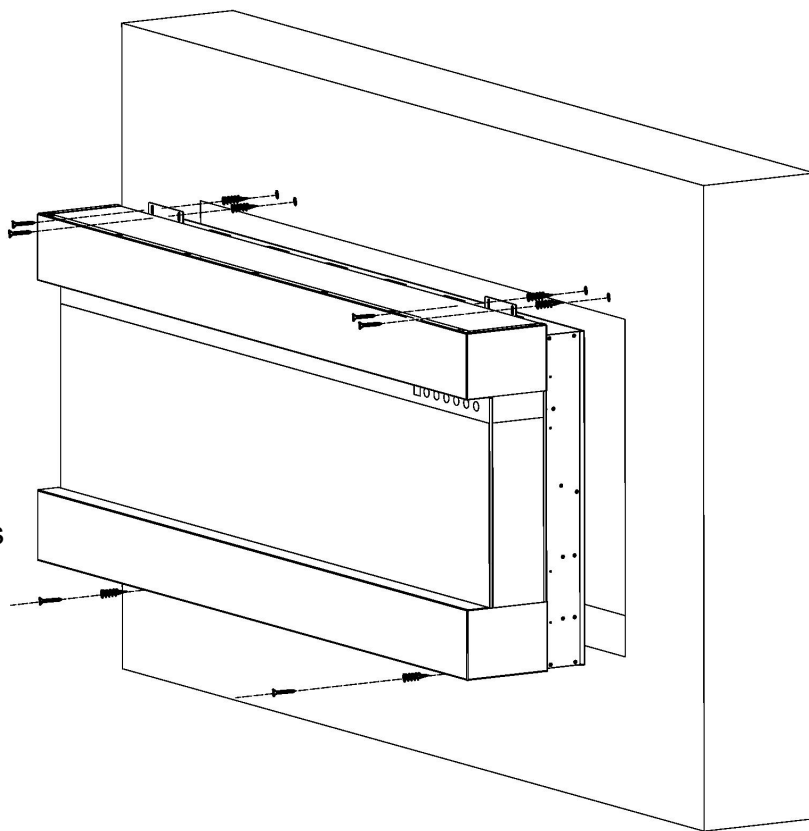
ÉTAPE D. Fixez les supports métalliques (E) au BAS et (F) au HAUT de la boîte du foyer.

Figure (D, E)

REMARQUE: les supports métalliques peuvent être utilisés comme mobiles, veuillez vous ajuster au meilleur emplacement au besoin

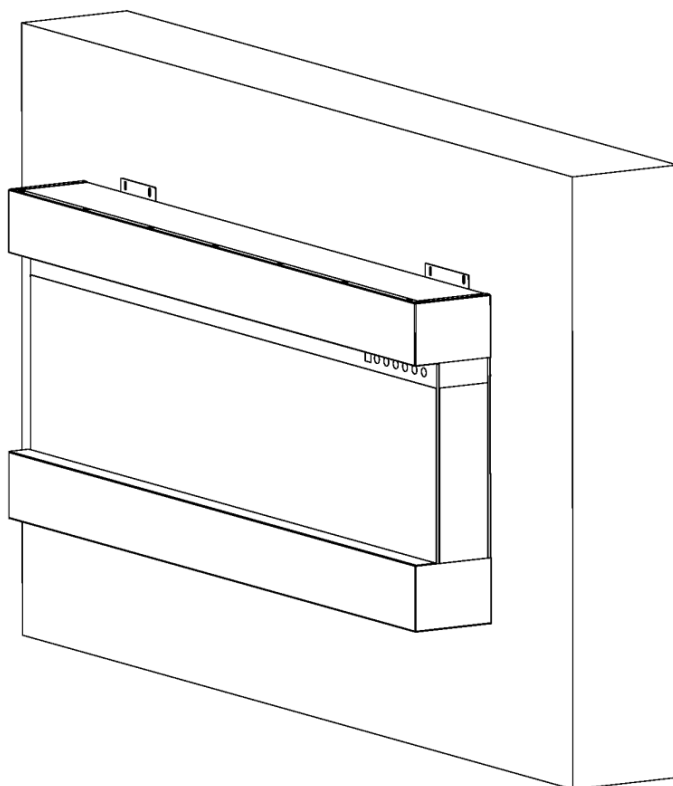
ÉTAPE E. Demandez à deux adultes de soulever le boîtier du foyer et de le mettre à l'intérieur du trou d'ouverture du mur. En utilisant le tournevis pour fixer toutes les vis à bois et les ancrages pour cloisons sèches à travers les supports métalliques au mur et en les fixant fermement.

REMARQUE: Assurez-vous que toutes les vis et les ancrages pour cloisons sèches sont bien vissés.



(F)

ÉTAPE F. Votre foyer électrique ressemblera à ce qui suit après l'installation



MONTAGE MURAL

En raison des nombreux matériaux différents utilisés sur les différents murs, il est conseillé de consulter un professionnel avant d'installer cet appareil sur le mur.

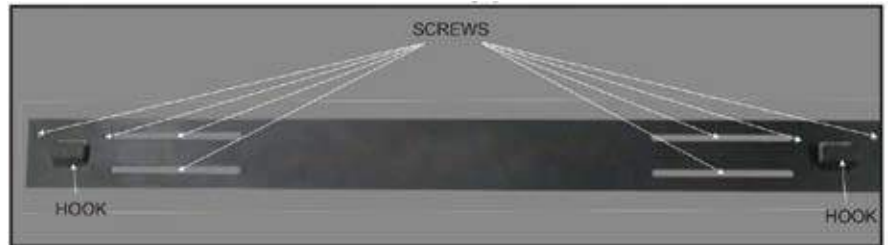
A. Choisissez un endroit à l'abri de l'humidité et à au moins 100 cm des matériaux inflammables tels que rideaux, meubles, literie, papier, etc.

B. Pour déterminer l'emplacement final, deux personnes sont nécessaires pour manipuler le foyer.

C. Placez le boîtier face avant vers le bas sur une surface douce et non abrasive. Retirez le support à l'arrière de l'appareil en dévissant les vis, voir Figure 1.

D. Repérez la position et fixez les supports au mur à l'aide des vis fournies. Les crochets du support DOIVENT être orientés vers le haut et le support lui-même doit être nivelé. **ATTENTION : Il est fortement recommandé de visser le support de**

montage (E) aux chevilles murales dans la mesure du possible. Si vous ne pouvez pas utiliser de vis murales, assurez-vous que les ancrages en plastique fournis sont utilisés pour fixer le support au mur et que le support est correctement fixé.



E. Après avoir installé le support mural, soulevez l'appareil avec l'aide d'une autre personne et placez les deux crochets du support dans les trous du panneau arrière de l'appareil.

F. Vérifiez la stabilité de l'appareil en vous assurant que le support ne glisse pas hors du mur.

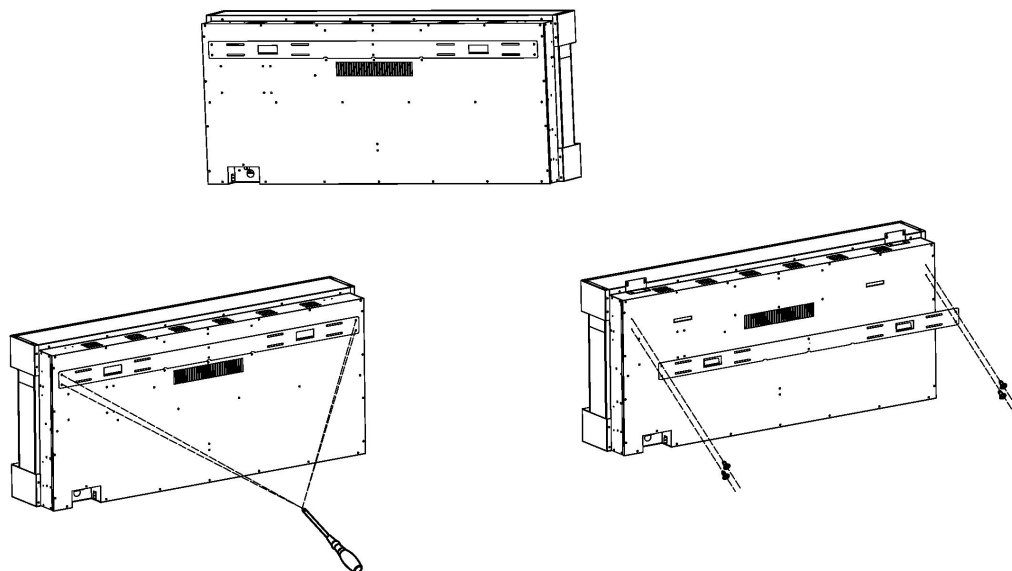


Illustration du support mural pour les modèles AV-WM36-50IMP

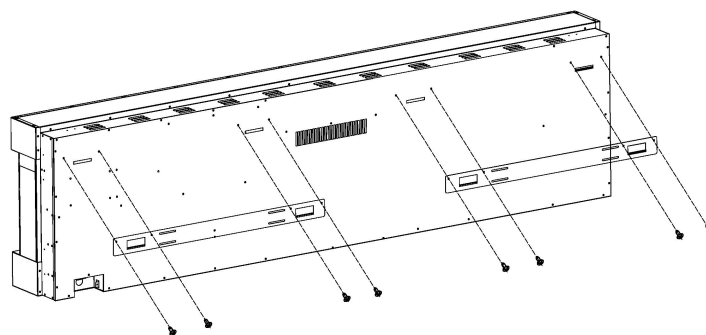
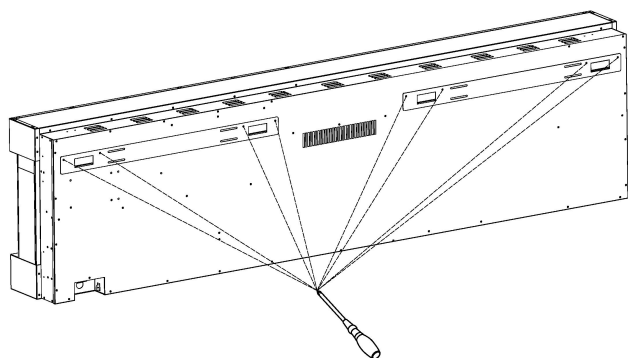
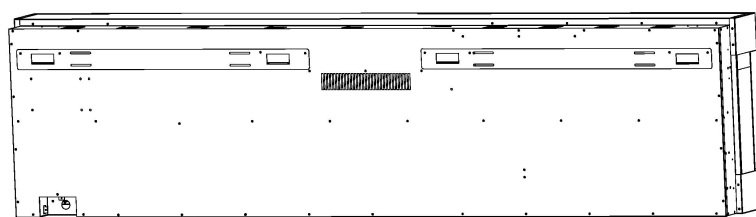
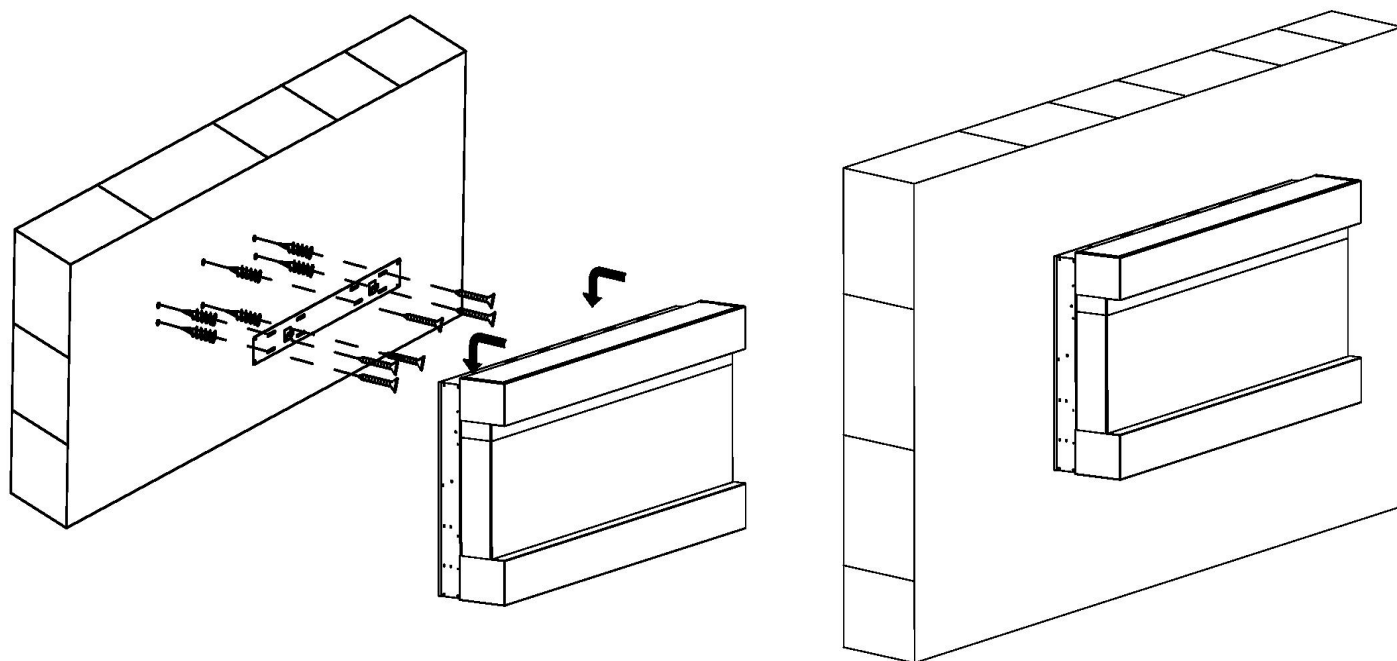


Illustration du support mural pour les modèles AV-WM60-72IMP

G. Votre foyer électrique ressemblera à ce qui suit après l'installation



Montage du jeu de bûches / cristaux

(NOTE : montage selon le type de foyer acheté ou choisi.)

A. La façade en verre doit être retirée et l'appareil doit être monté à son emplacement final avant l'installation du jeu de bûches / du cristal / des braises.

B. If your fireplace come with log-set, take the log-set out of the package and put it to the fireplace media slot . **Figure 1.**

C. Pour passer aux cristaux, retirez d'abord le jeu de bûches de la fente du foyer, puis placez le plateau en plastique (J) à l'endroit prévu pour la cheminée. Ensuite, placez soigneusement les braises de cristal dans le plateau en plastique comme illustré. Appliquez une couche uniforme d'un côté à l'autre. **Figure 2, Figure 3.**

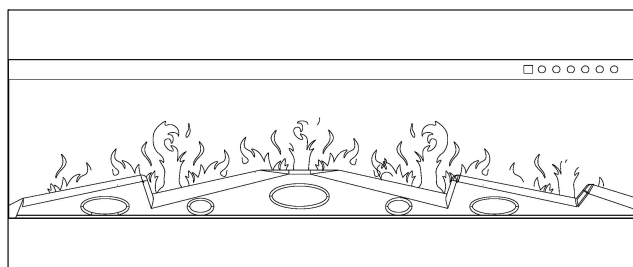


Figure 1

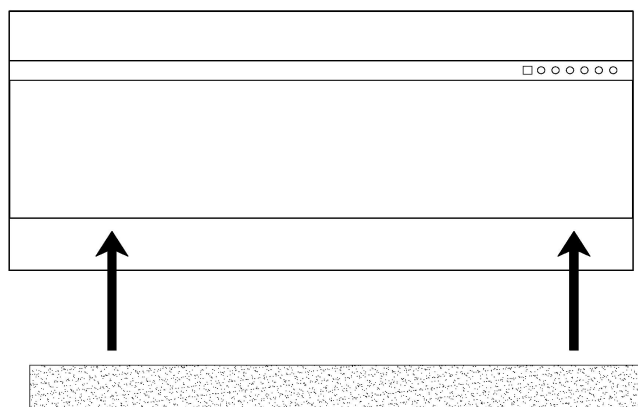


Figure 2



Figure 3. (cristaux)

Utilisation



Avant de **raccorder** ou d'**utiliser** l'appareil, **lisez et comprenez** le manuel d'utilisation complet, y compris **toutes les consignes de sécurité**. Le non-respect de cette exigence peut entraîner un **incendie, un choc électrique, des blessures graves ou la mort**.

Mise sous tension

Branchez le câble d'alimentation à une prise AC 220-240 V (voir **INSTRUCTIONS DE SÉCURITÉ IMPORTANTES pages 2 et 3**). Assurez-vous que la prise de courant est en bon état et que la fiche n'est pas desserrée. **NE dépassez JAMAIS** le courant admissible pour le circuit. **NE branchez pas** d'autres appareils au même circuit.






Modes d'utilisation

Le foyer peut être utilisé avec le PANNEAU TACTILE dans la partie avant du foyer ou avec la TÉLÉCOMMANDE qui est alimentée par pile.

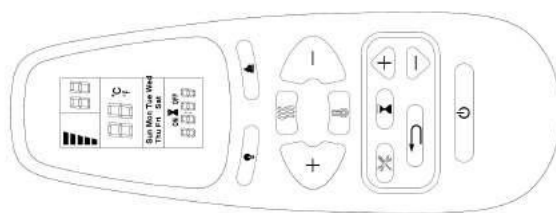
L'utilisation et les fonctions des deux méthodes sont identiques.





Avant d'utiliser l'appareil, lisez les **INSTRUCTIONS DE SÉCURITÉ IMPORTANTES** sur les **pages 2 et 3** et suivez-les.

Utilisation du panneau de commande / de la télécommande


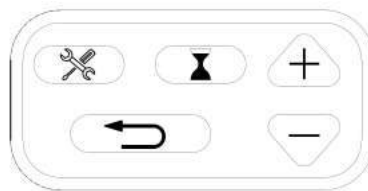

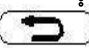

BOUTON	FONCTION	FONCTIONNEMENT ET SIGNALISATION
 POWER	<p>ACTIVÉE Active les fonctions du panneau de commande et de la télécommande. Active l'effet de flamme.</p> <p>DÉSACTIVÉE Verrouille les fonctions du panneau de commande et de la télécommande. Désactive l'effet de flamme.</p>	<ol style="list-style-type: none"> Appuyez une fois : Le voyant s'allumera. Activation de l'alimentation électrique. Toutes les fonctions sont actives. Appuyez à nouveau : L'effet de flamme s'éteint. L'appareil est en mode veille. Toutes les fonctions sont inactives.
 TIMER	<p>Bouton de programmation : Réglage du programmateur pour éteindre le foyer à un certain moment.</p> <p>Plage de réglage de 0,5 à 8 heures.</p>	<ol style="list-style-type: none"> Appuyez une fois : Le voyant s'allumera. Programmateur réglé sur 0,5 heure. Appuyez à nouveau jusqu'à ce que le réglage désiré soit atteint. Le voyant indique le réglage.
 FLAME	<p>Bouton de FLAMME : permet de régler la luminosité de la flamme.</p> <p>ATTENTION : L'effet de flamme reste activé jusqu'à ce que le bouton d'alimentation soit appuyé. L'effet de flamme doit être activé pour que le dispositif de chauffage démarre.</p>	<ol style="list-style-type: none"> Appuyez une fois : Changement de la luminosité de l'effet de flamme. Appuyez à nouveau jusqu'à ce que le réglage désiré soit atteint.
 COLOR	<p>Bouton de COULEUR : Changement de couleur pour l'effet de flamme.</p> <p>ATTENTION : L'effet de couleur reste activé jusqu'à ce que le bouton d'alimentation soit appuyé. L'effet de couleur de la flamme doit être activé pour que le dispositif de chauffage démarre.</p>	<ol style="list-style-type: none"> Appuyez une fois : Changement de couleur de la flamme. Appuyez à nouveau jusqu'à ce que le réglage désiré soit atteint.
 	<p>Bouton de rétro-éclairage des bûches: Fait changer la couleur au bas de l'effet.</p> <p>ATTENTION : L'effet de couleur reste activé jusqu'à ce que le bouton d'alimentation soit appuyé.</p>	<ol style="list-style-type: none"> Appuyez une fois. Changement de couleur du rétro-éclairage. Appuyez à nouveau jusqu'à ce que le réglage désiré soit atteint. 10 couleurs disponibles. Cycle automatique : Lorsque vous appuyez 11 fois sur cette touche, les couleurs du rétroéclairage changent automatiquement

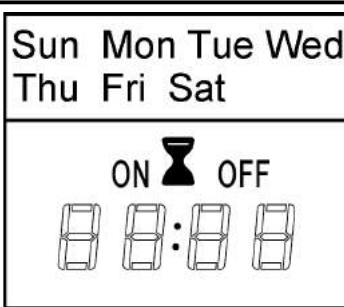
Utilisation de la télécommande

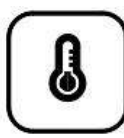


BOUTON	FONCTION	FONCTIONNEMENT ET SIGNALISATION
 POWER	<p>ACTIVÉE Active les fonctions du panneau de commande et de la télécommande. Active l'effet de flamme.</p> <p>DÉSACTIVÉE Verrouille les fonctions du panneau de commande et de la télécommande. Désactive l'effet de flamme.</p>	<ol style="list-style-type: none"> Appuyez une fois : Le voyant s'allumera. Activation de l'alimentation électrique. Toutes les fonctions sont actives. Appuyez à nouveau : L'effet de flamme s'éteint. L'appareil est en mode veille. Toutes les fonctions sont inactives.
	<p>Bouton de FLAMME : permet de régler la luminosité de la flamme.</p> <p>ATTENTION : L'effet de flamme reste activé jusqu'à ce que le bouton d'alimentation soit appuyé. L'effet de flamme doit être activé pour que le dispositif de chauffage démarre.</p>	<ol style="list-style-type: none"> Appuyez une fois : Changement de la luminosité de l'effet de flamme. Appuyez à nouveau jusqu'à ce que le réglage désiré soit atteint.
	<p>Bouton de COULEUR : Changement de couleur pour l'effet de flamme.</p> <p>ATTENTION : L'effet de couleur reste activé jusqu'à ce que le bouton d'alimentation soit appuyé. L'effet de couleur de la flamme doit être activé pour que le dispositif de chauffage démarre.</p>	<ol style="list-style-type: none"> Appuyez une fois : Changement de couleur de la flamme. Appuyez à nouveau jusqu'à ce que le réglage désiré soit atteint.
 HEATER	<p>Bouton de DISPOSITIF DE CHAUFFAGE Permet d'allumer et d'éteindre le dispositif de chauffage.</p> <p>ATTENTION : Le dispositif de chauffage ne fonctionne que lorsque l'effet de flamme est activé. Si l'effet de flamme est désactivé, le dispositif de chauffage ne s'allume pas.</p> <p>ATTENTION : Pour éviter la surchauffe, le ventilateur du dispositif de chauffage soufflera de l'air frais pendant 10 secondes avant la mise en marche du dispositif de chauffage et après l'avoir éteint.</p>	<ol style="list-style-type: none"> Appuyez une fois. Le voyant s'allumera. Le ventilateur souffle de l'air frais pendant 10 secondes. Le bas niveau du dispositif de chauffage s'allume et de l'air chaud est fourni. Appuyez à nouveau. Le voyant est allumé. Le niveau élevé du dispositif de chauffage s'allume et de l'air chaud est fourni. Appuyez à nouveau. Le dispositif de chauffage s'éteindra. Le ventilateur souffle de l'air frais pendant 10 secondes, en permettant de refroidir le dispositif de chauffage, il s'éteint ensuite.






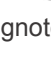

RÉGLAGES DU PROGRAMMATEUR SUR LA TÉLÉCOMMANDE

 Timer : Affiche le jour, l'heure et la semaine en cours. Appuyez pour entrer ou confirmer les réglages.	
 Paramètres : Appuyez pour passer à l'étape suivante (utilisez avec le bouton Timer). Appuyez pour confirmer le programme hebdomadaire.	
 Précédent : Appuyez pour effacer les paramètres. Appuyez pour revenir à l'étape précédente (utilisez avec le bouton Paramètres).	
 Haut/Bas (utilisez avec le bouton Paramètres).	





Affichage numérique		
Jours de la semaine Mon, Tues, Wed, Thurs, Fri, Sat, Sun		Note : Les fonctions ne peuvent être réglées que lorsque les lettres ou les chiffres correspondants clignotent. Note : Réglez l'horloge à l'heure actuelle avant les réglages hebdomadaires.
Affichage de l'heure		
Heure actuelle / Minuterie de 00: 00 à 24		

 TEMP	Bouton de TEMPÉRATURE : Permet d'allumer et d'éteindre le dispositif de chauffage. ATTENTION : Appuyez sur le bouton et maintenez-le enfoncé pendant 5 secondes, l'échelle passe de °C à °F. Le même de °F à °C.	<ol style="list-style-type: none"> Appuyez une fois : Le voyant s'allumera. La température passera à 18°C. Appuyez à nouveau : jusqu'à ce que le réglage désiré soit atteint. L'écran affiche le réglage à partir du tableau : 																																																								
	<table border="1"> <thead> <tr> <th>NO</th> <th>0</th> <th>1</th> <th>2</th> <th>3</th> <th>4</th> <th>5</th> <th>6</th> <th>7</th> <th>8</th> <th>9</th> <th>10</th> <th>11</th> <th>12</th> </tr> </thead> <tbody> <tr> <td>°C</td> <td>18</td> <td>19</td> <td>20</td> <td>21</td> <td>22</td> <td>23</td> <td>24</td> <td>25</td> <td>26</td> <td>27</td> <td>28</td> <td>29</td> <td>30</td> </tr> <tr> <td>°F</td> <td>64</td> <td>66</td> <td>68</td> <td>70</td> <td>72</td> <td>74</td> <td>76</td> <td>78</td> <td>80</td> <td>82</td> <td>84</td> <td>86</td> <td>88</td> </tr> <tr> <td></td> <td>65</td> <td>67</td> <td>69</td> <td>71</td> <td>73</td> <td>75</td> <td>77</td> <td>79</td> <td>81</td> <td>83</td> <td>85</td> <td>87</td> <td></td> </tr> </tbody> </table>		NO	0	1	2	3	4	5	6	7	8	9	10	11	12	°C	18	19	20	21	22	23	24	25	26	27	28	29	30	°F	64	66	68	70	72	74	76	78	80	82	84	86	88		65	67	69	71	73	75	77	79	81	83	85	87	
	NO	0	1	2	3	4	5	6	7	8	9	10	11	12																																												
°C	18	19	20	21	22	23	24	25	26	27	28	29	30																																													
°F	64	66	68	70	72	74	76	78	80	82	84	86	88																																													
	65	67	69	71	73	75	77	79	81	83	85	87																																														






1 Régler le jour et l'heure actuels

- Appuyez  une fois. Quand "MON" (Lundi) commence à clignoter, utilisez  pour sélectionner le jour en cours.
- Appuyez  . Lorsque les chiffres des heures commencent à clignoter, utilisez  pour régler les heures.
- Appuyez  à nouveau. Lorsque les chiffres des minutes commencent à clignoter, utilisez  pour régler les minutes.
- Appuyez  à nouveau. L'heure actuelle a été réglée.

2 Réglez l'heure de marche/arrêt et la température dans le programme hebdomadaire









1. Appuyez . Quand "MON" commence à clignoter (Lundi), appuyez  3 fois clignoter, utilisez  pour sélectionner la heure et la minute d'ACTIVATION du chauffage.  à tout moment pour effacer les chiffres et désactiver la minuterie.

La minuterie ne peut être réglée que par pas de 30 minutes (par ex. 00:00 - 00:30 ; 00:30 - 01:00, etc.)

2. Appuyez . Lorsque "OFF" commence à clignoter, utilisez  pour sélectionner l'heure et les minutes désirées de DÉSACTIVATION du chauffage.
Appuyez  à tout moment pour effacer les chiffres et désactiver la minuterie.
3. Appuyez  à nouveau. Lorsque "18" commence à clignoter, utilisez  pour sélectionner la température désirée pour le lundi.

note:

Si la température a déjà été réglée, ces chiffres s'affichent à la place de "18".

4. Appuyez  à nouveau. Quand "TUES" apparaît (Mardi) et "ON" se met à clignoter, utilisez  pour sélectionner l'heure et la minute désirées pour activer le chauffage le mardi.
5. Appuyez  à nouveau. Lorsque "OFF" commence à clignoter, utilisez  pour sélectionner l'heure et la minute désirées pour éteindre le chauffage le mardi.
6. Appuyez  à nouveau. Lorsque "18" commence à clignoter, utilisez  pour sélectionner la température désirée pour le mardi.
7. Répétez les étapes 1 à 6 pour régler l'heure de marche/arrêt et la température pour mercredi (WED), jeudi (THURS), vendredi (FRI), samedi (SAT) et dimanche (SUN).
8. Appuyez  ou  pour terminer le réglage, en vous assurant que la télécommande est dirigée vers le récepteur placé au milieu de l'appareil. L'appareil émet un bip pour confirmer que la programmation a réussi.

Avertissement d'une fenêtre ouverte

Si la température ambiante chute de 10 degrés en moins de 3 minutes, l'appareil supposera qu'il y a une fenêtre ouverte à proximité. Pour économiser de l'énergie, le foyer passe automatiquement du mode Élevé à Bas ou, si le dispositif chauffage est déjà en mode Bas, il s'éteint complètement.

Après avoir changé le mode Élevé à Bas, l'appareil émet 3 bips et l'affichage numérique clignote "88" 3 fois avant que l'état de chauffage existant ne s'affiche.

Après avoir changé le mode Bas à Off, l'appareil émet 3 bips et l'affichage numérique continue à clignoter "88".

Pour réinitialiser la fonction de chauffage, voir le chapitre "Utilisation de la télécommande".

ATTENTION

La première fois que le dispositif de chauffage est mis en marche, une légère odeur peut apparaître. Ceci est normal et ne devrait pas être répété à moins que le dispositif de chauffage ne soit pas utilisé pendant une longue période.

ATTENTION

Pour améliorer le fonctionnement, **pointez** la télécommande vers l'avant du foyer. **N'appuyez PAS trop vite sur les boutons.** Attendez un moment jusqu'à ce que l'appareil réponde aux commandes.

Limiteur de température

Le dispositif de chauffage est équipé d'un limiteur de température. Si une température dangereusement élevée est atteinte, le dispositif de chauffage s'éteint. Afin de remettre le fonctionnement :

1. Débranchez le câble d'alimentation de la prise murale.
2. Mettez l'interrupteur ON/OFF du PANNEAU DE COMMANDE sur OFF. **Attendez 5 minutes**
3. Vérifiez que les grilles de ventilation du foyer ne sont pas couvertes ou obstruées par la poussière. En cas de colmatage, utilisez un aspirateur pour les nettoyer.
4. L'interrupteur étant réglé sur OFF, rebranchez le câble d'alimentation à la prise murale.
5. Si le problème persiste, faites vérifier la prise et le câblage par un spécialiste.

Informations sur les piles de la télécommande

Cette télécommande utilise deux piles AAA (non fournies).



Ne jetez pas les piles au feu. Le non-respect de cette consigne **peut entraîner une explosion.** Les piles usagées doivent être jetées dans des conteneurs spécialement identifiés ou transférées au point de collecte sélective des déchets communautaires.

Nettoyage et entretien

Nettoyage



Éteignez **TOUJOURS** le dispositif de chauffage et **débranchez le câble d'alimentation de la prise murale** avant de nettoyer, entretenir ou déplacer le foyer. Le non-respect de cette exigence peut entraîner un **incendie, un choc électrique ou des blessures graves**.



N'immergez **JAMAIS** l'appareil dans l'eau ou ne le pulvérisez pas avec de l'eau. Vous risqueriez de provoquer un **choc électrique, un incendie ou des blessures corporelles**.

Pièces métalliques :

- Polir avec un chiffon sec légèrement humidifié avec un nettoyant à base d'huile d'agrumes.
- **N'UTILISEZ PAS** de produits à polir le laiton ou de nettoyants ménagers car ces produits peuvent endommager le fini métallique.

Pièces en verre :

- Utilisez un nettoyant pour vitres de haute qualité, vaporisé sur un chiffon ou une serviette. Essuyez soigneusement avec un essuie-tout ou un chiffon non pelucheux.
- **N'utilisez JAMAIS** de nettoyants abrasifs, d'aérosols ou d'autres produits qui peuvent gratter la surface.

Grilles de ventilation :

- Enlevez la poussière et la saleté des surfaces du dispositif de chauffage et de la grille à l'aide d'un aspirateur ou d'un chiffon.

Pièces en plastiques :

- Essuyez doucement avec un chiffon légèrement humidifié avec une solution douce de liquide vaisselle et d'eau tiède.
- **N'utilisez JAMAIS** de nettoyants abrasifs, d'aérosols ou d'autres produits qui peuvent gratter la surface.

Entretien



Risque de chocs électriques ! N'OUVREZ AUCUN panneau ! L'appareil ne contient aucune pièce à réparer par l'utilisateur !



Éteignez **TOUJOURS** le dispositif de chauffage et **débranchez le câble d'alimentation de la prise murale** avant de nettoyer, entretenir ou déplacer le foyer. Le non-respect de cette exigence peut entraîner un **incendie, un choc électrique ou des blessures graves**.

Pièces électriques et mobiles :

- Les moteurs des ventilateurs sont lubrifiés en usine et ne nécessitent pas de lubrification ultérieure.
- Les composants électriques sont intégrés dans l'appareil et ne peuvent pas être réparés par l'utilisateur.

Stockage :

Lorsque l'appareil n'est pas utilisé, stockez-le dans un endroit propre et sec.



AVERTISSEMENT ! Les composants électriques internes **ne sont PAS destinés** à être réparés par l'utilisateur.



AVERTISSEMENT

AVANT D'EFFECTUER DES TRAVAUX AUX D'ENTRETIEN, DÉBRANCHEZ COMPLÈTEMENT L'APPAREIL DE L'ALIMENTATION ÉLECTRIQUE ET LAISSEZ-LE REFROIDIR. L'ÉQUIPEMENT ÉLECTRIQUE NE DOIT ÊTRE ENTRETENU ET RÉPARÉ QUE PAR DU PERSONNEL D'ENTRETIEN QUALIFIÉ.

Problème	Cause possible	Solution
1. Le foyer s'éteint et ne peut pas être rallumé.	1. Le foyer a surchauffé et la protection a déclenché l'interrupteur thermique ou l'interrupteur du circuit d'alimentation.	1. Réinitialisez la protection mettant l'interrupteur d'alimentation sur OFF et en attendant 10 minutes, puis en remettant en marche ou en appuyant sur l'interrupteur du circuit d'alimentation.
2. La flamme ne bouge pas.	1. Fils desserrés. 2. Moteur du mécanisme de flamme défectueux. 3. Le brûleur n'est pas en place.	1. Vérifiez le câblage pour vous assurer qu'il n'y a pas de connexions desserrées. 2. Contacter un technicien service agréé pour remplacer le moteur. 3. Le brûleur peut avoir bougé pendant le transport/la manutention. Les travaux de réparation consistent à enlever la vitre avant, à retourner le foyer, à enlever le jeu de vis fixant la plaque inférieure et à remettre le brûleur en place.
3. La flamme est invisible.	1. Fils desserrés.	1. Débranchez le câble de source d'alimentation et vérifiez que les connexions ne sont pas desserrées. Réparez ou remplacez si nécessaire. 2. Appuyez sur le bouton flamme pour augmenter l'intensité de l'effet.
4. Le jeu de bûches ne brille pas.	1. Fils desserrés. 2. La fonction de braise est désactivée.	1. Débranchez le câble de source d'alimentation et vérifiez que les connexions ne sont pas desserrées. Réparez ou remplacez si nécessaire. 2. Appuyez sur le bouton de braise pour augmenter l'intensité de l'effet.

5. La télécommande ne fonctionne pas.	<ol style="list-style-type: none"> 1. Piles déchargées. 2. Émetteur de signaux mal orienté. 3. Télécommande et/ou capteur défectueux. 	<ol style="list-style-type: none"> 1. Remplacez les piles dans la télécommande. 2. Dirigez l'émetteur vers le capteur situé directement derrière le panneau de verre au milieu de l'appareil, au-dessus des bûches. 3. Remplacez la télécommande et/ou le capteur.
6. Le foyer ne démarre pas même si l'interrupteur est en position ON.	<ol style="list-style-type: none"> 1. Le foyer n'est pas branché dans une prise électrique. 2. Dysfonctionnement de la commande. 3. Déclenchement du fusible. 	<ol style="list-style-type: none"> 1. Vérifiez la fiche. 2. Contactez le centre de service agréé. 3. Activez l'interrupteur automatique.
7. Après la mise en marche, le dispositif de chauffage n'émet pas de chaleur.	<ol style="list-style-type: none"> 1. Activation de l'interrupteur thermique. 2. Fils desserrés. 3. Dysfonctionnement du dispositif de chauffage. 	<ol style="list-style-type: none"> 1. Arrêtez l'appareil et débranchez-le de l'alimentation électrique pendant 10 minutes. Rebranchez la fiche et allumez l'appareil. Si la fiche n'est pas disponible, suivez les instructions pour la protection contre les courants résiduels déclenchée. 2. Débranchez le câble de la source d'alimentation et vérifiez que les connexions ne sont pas desserrées. Réparez ou remplacez si nécessaire. 3. Remplacez le dispositif de chauffage.

ATTENTION : Pour retirer le panneau de verre, localisez les deux vis des deux côtés de l'avant de l'appareil (gauche et droite). Après les avoir dévissés, tirez la vitre vers le haut et retirez-la du foyer. Après avoir enlevé la plaque inférieure, vous verrez un moteur à flamme à droite où le brûleur et les joints en caoutchouc doivent être placés.

N'oubliez pas de débrancher l'appareil de l'alimentation électrique avant d'effectuer tout travail. La vitre et l'ensemble de l'appareil doivent toujours être placés sur une serviette ou un autre matériau qui n'endommagera pas les éléments/le cadre.

L'ensemble de la procédure ne devrait pas prendre plus de 20 à 30 minutes.

UŽIVATELSKÝ NÁVOD

■ AV-WM36IMP

■ AV-WM43IMP

■ AV-WM50IMP

■ AV-WM60IMP

■ AV-WM72IMP



IMPERIAL 36"/43"/50"/60"/72"
Nástěnný elektrický krb / pro zástavbu
AC 220V-240V 50Hz 1400-1600 W

⚠ UPOZORNĚNÍ

Před zapojením nebo použitím zařízení, přečtěte s pochopením celý uživatelský návod se zohledněním všech informací týkajících se bezpečnosti. Nedodržení tohoto požadavku může mít za následek vznik ohně, zasažení elektrickým proudem nebo vážná poranění těla.

⚠ POZOR

Uchovejte tento uživatelský návod za účelem jeho použití v budoucnu. V případě prodeje nebo odevzdání zařízení, je třeba nezbytně přiložit k němu návod.



DŮLEŽITÉ BEZPEČNOSTNÍ POKYNY:

UPOZORNĚNÍ:

Během používání elektrických zařízení je třeba vždy dodržovat základní bezpečnostní prostředky za účelem snížení rizika požáru, zásahu elektrickým proudem a zranění osob, se zohledněním níže uvedených pokynů:

- Přečtěte všechny návody před použitím tohoto zařízení.
- Zařízení se během práce zahřívá. Za účelem vyhnutí se popálení, nedotýkejte horké plochy. Jsou-li dostupné – používejte držáky za účelem přenášení zařízení. Hořlavé materiály takové jakými jsou nábytek, podušky, ložní prádlo, dokumenty, šaty a záclony přechovávejte ve vzdálenosti nejméně 1 m od přední strany zařízení. Všechny tyto předměty držte zdaleka od boků a zadní části zařízení. Za účelem vyhnutí se přehřátí, zařízení ničím nezakrývejte.
- Zvláštní pozornost je třeba věnovat, když topné zařízení je používáno v blízkosti dětí nebo postižených osob a kdy je ponecháno zapnuto bez dozoru.
- Nepoužívané zařízení je třeba vypojit z napájení.
- Nespouštějte zařízení s poškozeným napájecím kabelem nebo zástrčkou, nebo v případě poruchy zařízení pádu z výšky. Zařízení je třeba odevzdat do autorizovaného servisu za účelem prozkoumání, elektrického nebo mechanického nastavení nebo opravy.
- Zařízení je určeno výlučně k použití vevnitř budovy.
- Zařízení nepoužívejte v koupelnách, prádelnách a podobných místnostech. Zařízení nikdy neumísťujte v místech, kde může spadnout do vany nebo jiné nádrže s vodou.
- Napájecí kabel nevedte pod krytinou. Kabel nezakrývejte koberci, běhouny a jinými krytinami. Kabel vedte zdaleka od často navštěvovaných míst a takovým způsobem, aby se nikdo o něj neklopýtnul.
- Za účelem vypojení zařízení, vypněte všechny kontrolky do polohy „OFF” a následně vytáhněte zástrčku ze zásuvky.
- Nevkládejte ani nedovolte, aby se jakékoliv předměty dostaly do ventilačních otvorů a přívodu vzduchu, protože to může způsobit zasažení proudem, požár nebo poškození zařízení.
- Za účelem vyhnutí se riziku požáru, neblokujte přívody a vývody vzduchu jakýmkoliv způsobem. Zařízení nepoužívejte na měkkých plochách takových jakou je postel, kde otvory mohou být zablokovány.
- Krb má vevnitř ohřívací díly a díly, které mohou vytvářet jiskry a elektrické oblouky. Nepoužívejte v místech přechovávání benzínu, barev nebo jiných lehce hořlavých kapalin.
- Krb používejte způsobem znázorněným v tomto návodu. Všechna jiná použití nedoporučovaná výrobcem mohou způsobit požár, zasažení elektrickým proudem nebo poranění osob.
- NEBEZPEČÍ – VYSOKÉ teploty mohou být generovány v nevhodných pracovních podmínkách. Topné zařízení nezakrývejte úplně nebo částečně zepředu.
- Svítidla lze vyměňovat výlučně po vypojení krbu z napájení.
- Toto zařízení není určeno k používání osobami (včetně dětí) se sníženými fyzickými, duševními nebo vněmovými schopnostmi nebo osobami, které nemají příslušné vědomosti nebo zkušenosti, ledaže se nachází pod dozorem osoby odpovědné za jejich bezpečnost nebo byly ní poučeny v rozsahu používání zařízení. Je třeba dbát na to, aby děti se nehráli se zařízením.
- POZOR: Za účelem vyhnutí se rizika způsobeného neúmyslným resetováním termických přepěťových vypínačů, krb nesmíte zapojovat do vnějšího přepínacího zařízení, jakými jsou programátor nebo obvod s cyklickou soustavou zapínání a vypínání.

Příprava

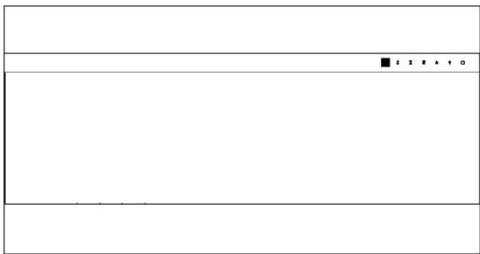


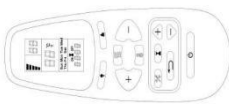
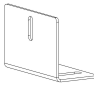
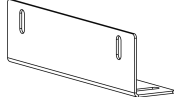






Tento výrobek je vybaven **skleněným panelem!** Vždy během přenášení **skla** je třeba zachovat **zvláštní opatrnost**. Nedodržení tohoto pokynu může mít za následek zranění těla nebo poškození majetku.

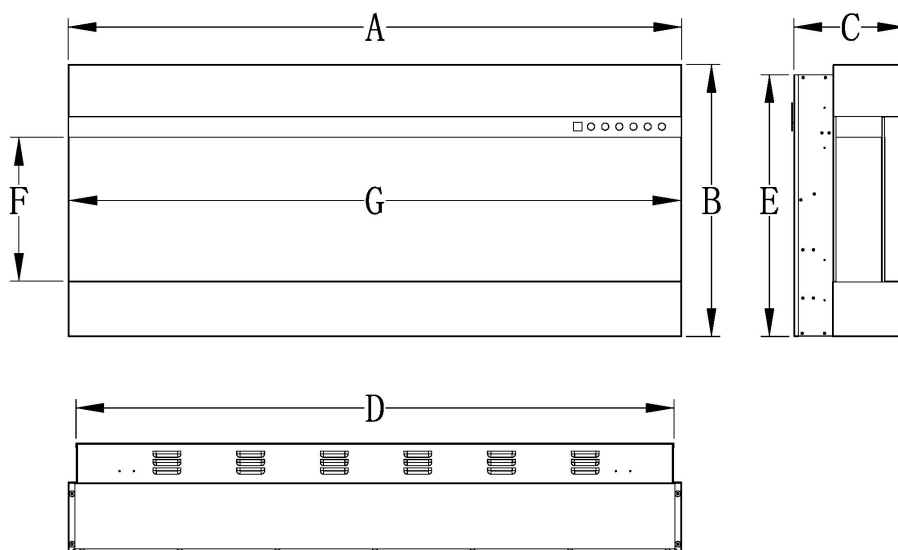
Vyberte všechny soustrojí a montážní dílce z kartonu a položte je na čistém, měkkém a suchém podkladu. Zkontrolujte seznam dílců za účelem ujištění, že nic nechybí. Balící materiály je třeba zlikvidovat vhodným způsobem. Vždy, když je to možné, je třeba odevzdávat odpady na opětovné zpracování.

Potřebné bude následující nářadí (nepředstavují vybavení): křížový šroubovák; vodováha; měřítko; vrtačka; kladivo.

Soustrojí a montážní dílce

 <p>A – Krb</p>	 <p>B – Zápusné šrouby do dřeva</p>	 <p>C – Kotvy</p>	
	 <p>Ovladač dálkového ovládání</p>	 <p>E- Kovová vzpěra (Spodní - krátký)</p>	 <p>F- Kovová vzpěra (Top - delší)</p>
 <p>G - Nástěnný držák Montován v zadní části krytu</p>	 <p>H-Krystalky</p>	 <p>I - Polena</p>	 <p>J - Plastový podnos</p>

Specifikace a rozměry



ROZMĚRY VÝROBKU

Číslo modelu	A	B	C	D	E	F	G
AV-WM36IMP	36.6" 93cm	19.1" 48.4cm	7.9" 20cm	35.5" 90.2cm	18.3" 46.56cm	10.1" 25.61cm	36.4" 92.57cm
AV-WM43IMP	43.3" 110.2cm	19.1" 48.4cm	7.9" 20cm	42.2" 107.22cm	18.3" 46.56cm	10.1" 25.61cm	43.1" 109.6cm
AV-WM50IMP	50" 127cm	19.1" 48.4cm	7.9" 20cm	48.9" 124.2cm	18.3" 46.56cm	10.1" 25.61cm	49.8" 126.57cm
AV-WM60IMP	60" 152.4cm	19.1" 48.4cm	7.9" 20cm	58.9" 149.6cm	18.3" 46.56cm	10.1" 25.61cm	59.8" 151.97cm
AV-WM72IMP	72" 182.8cm	19.1" 48.4cm	7.9" 20cm	70.9" 180cm	18.3" 46.56cm	10.1" 25.61cm	71.8" 182.37cm

Montáž a instalování

Zařízení je určeno k montáži na stěně, vestavěné ve stěně, a/nebo v krytu. Zvolte vhodné místo, které nepodléhá vlhku a nachází se zdaleka od záclon, nábytku a míst s velkou intenzitou pohybu.

POZOR: Je třeba dodržovat všechny tuzemské a místní elektrické předpisy.

MINIMÁLNÍ Odstup od snadno hořlavých materiálů

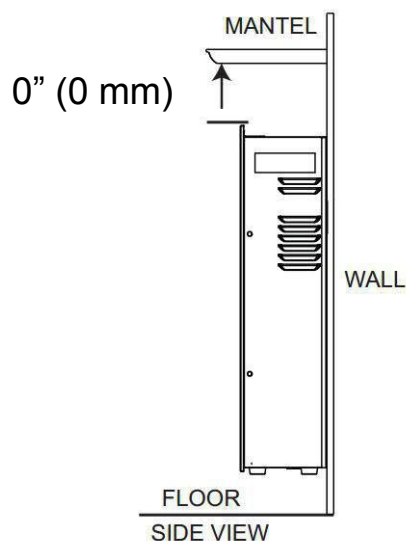
Měření jsou prováděny od skleněné přední strany.

Spodní část	0"	Horní část	8" (300mm) od krytu
Boky	0"	Horní část	8" (300mm) od stropu
Zadní část	0"		

MINIMÁLNÍ Odstup od krytu

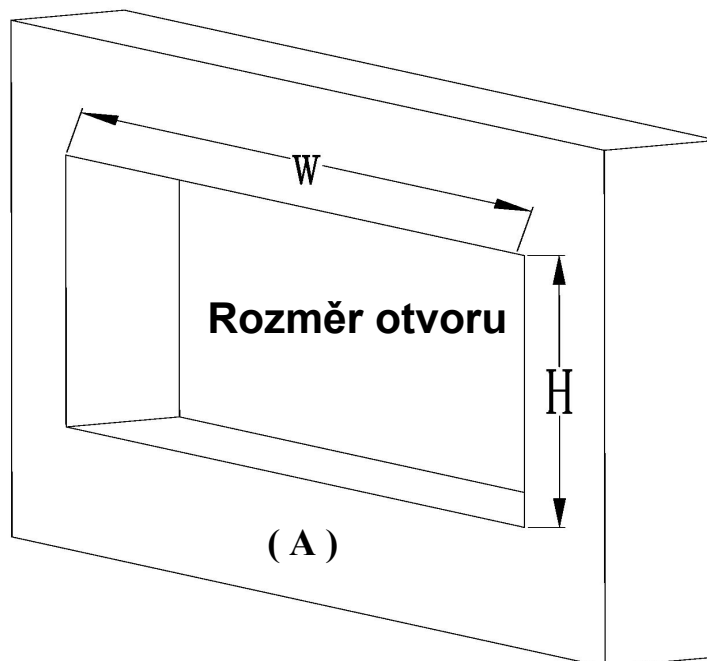
POZOR

S POUŽITÍM BARVY NEBO UKONČOVACÍHO LAKU KRYTU, BARVA NEBO LAK MUSÍ BÝT TEPELNĚ ODOLNÉ ZA ÚČELEM PŘEDCHÁZENÍ ODBARVENÍM.



MONTÁŽ V ZÁSTAVBĚ STĚNY

POZNÁMKA: Krb instalujte tak, aby jej bylo možné v případě poruchy sejmout ze stěny pro servisní účely.

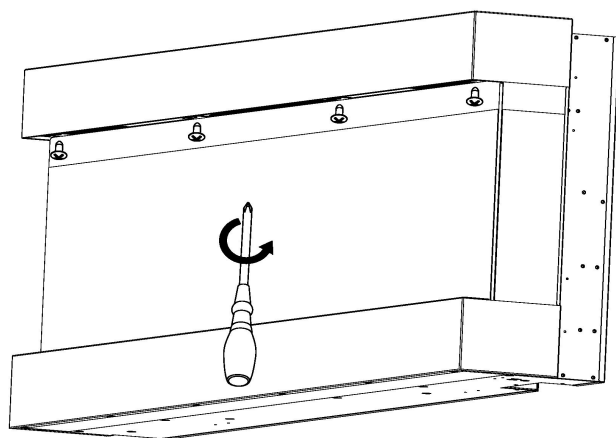


Krok A. Zvolte stěnu ze suché omítky za účelem provedení otvoru pro krb. Vhodné rozměry otvoru je třeba zkontrolovat v níže uvedené tabulce. **Obrázek (A)**

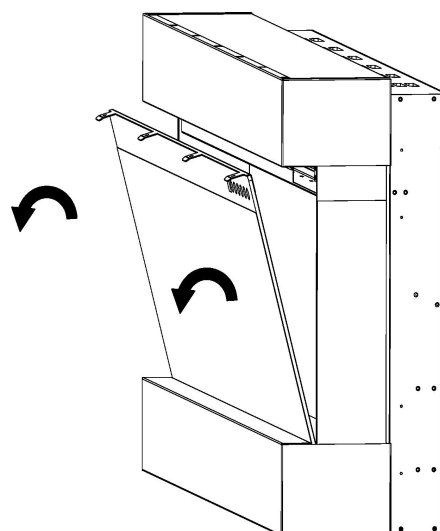
Velikost otvoru pro rámování		
Číslo modelu	W	H
AV-WM36IMP	35.9" (91.2CM)	18.84" (47.86CM)
AV-WM43IMP	42.71" (108.3CM)	18.84" (47.86CM)
AV-WM50IMP	49.29" (125.2CM)	18.84" (47.86CM)
AV-WM60IMP	59.29" (150.6CM)	18.84" (47.86CM)
AV-WM72IMP	71.25" (181CM)	18.84" (47.86CM)

KROK B. Pomocí šroubováku sundejte šrouby zepředu **Obrázek (B)**

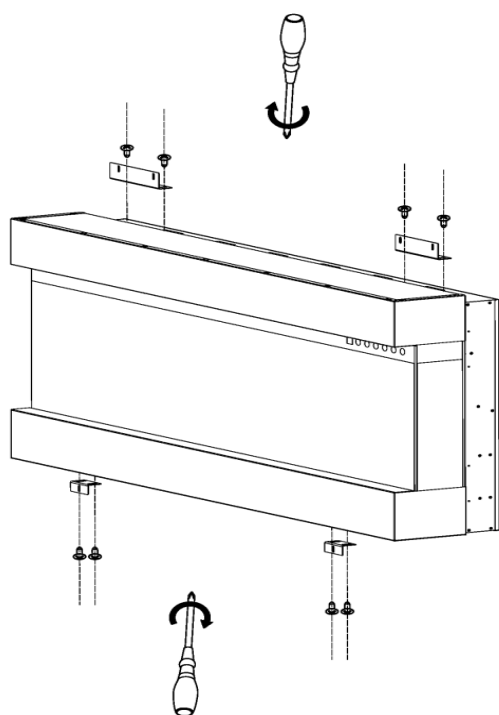
KROK C. Požádejte dva dospělé lidi, aby vytáhli skleněný panel a vytáhli jej **Obrázek (C)**



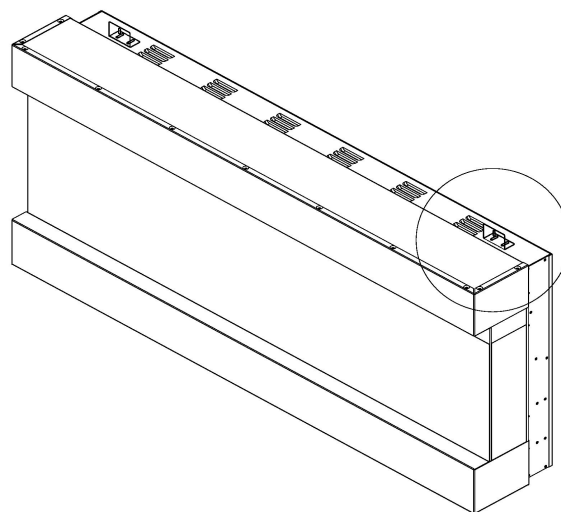
(B)



(C)



(D)



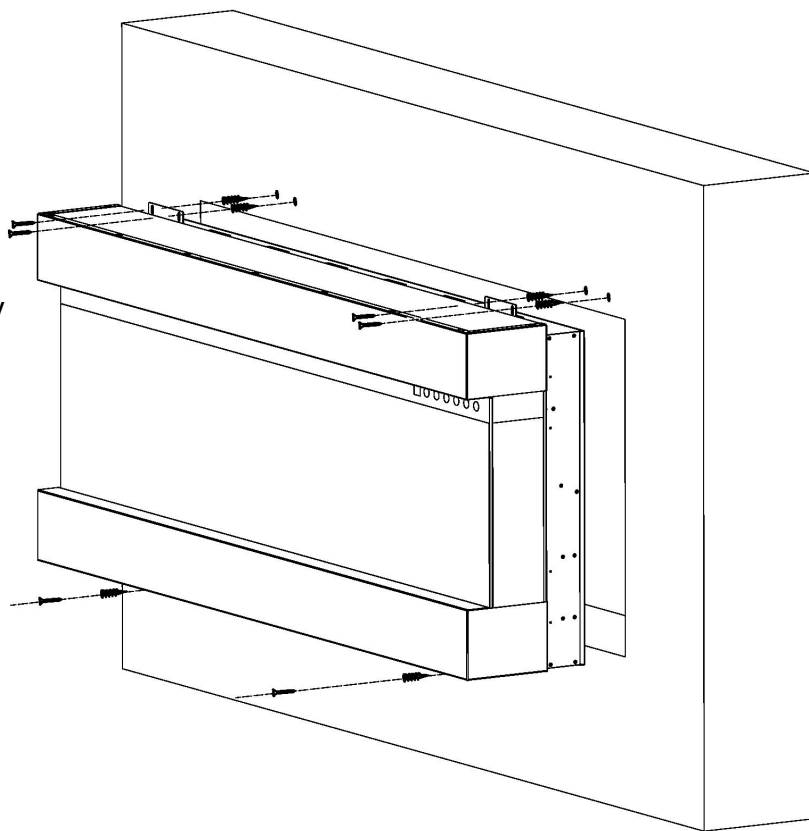
(E)

KROK D. Připevněte kovové držáky (E) ke spodní části a (F) k horní části krbové skříně.

Obrázek (D, E)

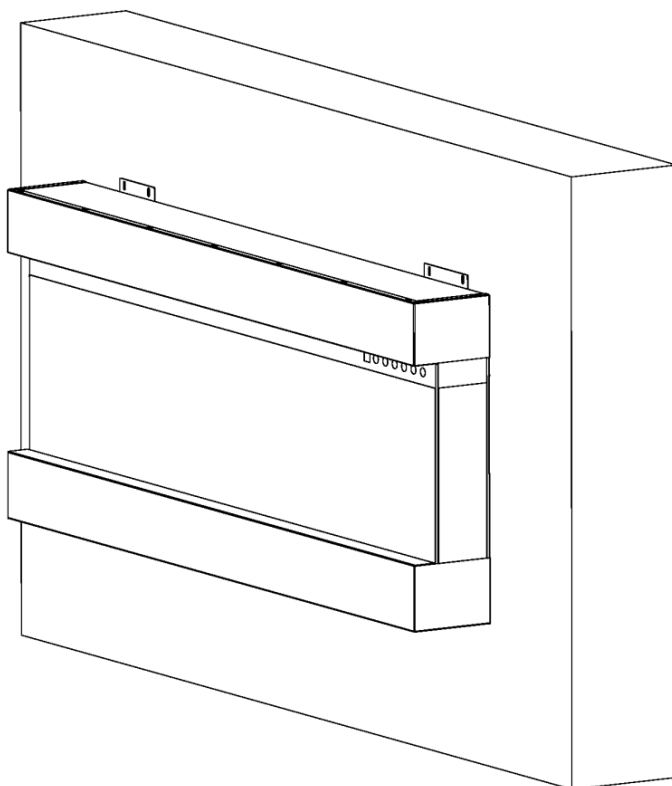
POZNÁMKA: Kovové držáky lze použít jako pohyblivé, upravte je podle potřeby na nejlepší místo

KROK E. Požádejte dva dospělé lidi, aby zvedli krbovou krabici a vložili ji do otvoru pro otevření stěny. Pomocí šroubováku připevněte všechny šrouby do dřeva a kotvy do sádkokartonu přes kovové držáky ke zdi a pevně je upevněte. **POZNÁMKA:** Ujistěte se, že jsou všechny šrouby a hmoždinky do sádkokartonu dobře přišroubovány.



(F)

KROK F. Váš elektrický krb bude po instalaci vypadat níže



NÁSTĚNNÁ MONTÁŽ

Z důvodu mnoha různých materiálů používaných na různých zdech, doporučuje se konzultace s profesionálem před nainstalováním tohoto zařízení na stěně.

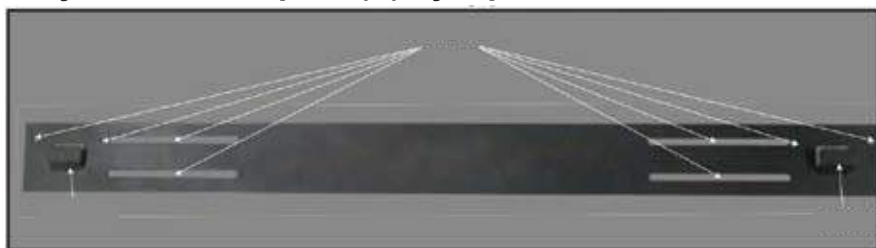
A. Zvolte místo, které nepodléhá vlhku a nachází se nejméně 100 cm od snadno hořlavých materiálů, takových jakými jsou záclony, nábytek, postel, papír atd.

B. Pro určení konečné lokalizace jsou zapotřebí dvě osoby pro držení.

C. Kryt umístěte přední částí dolů na měkký, nedrsný povrch. Vyberte vzpěru ze zadní části zařízení vyšroubováním šroubů, viz Obrázek 1.

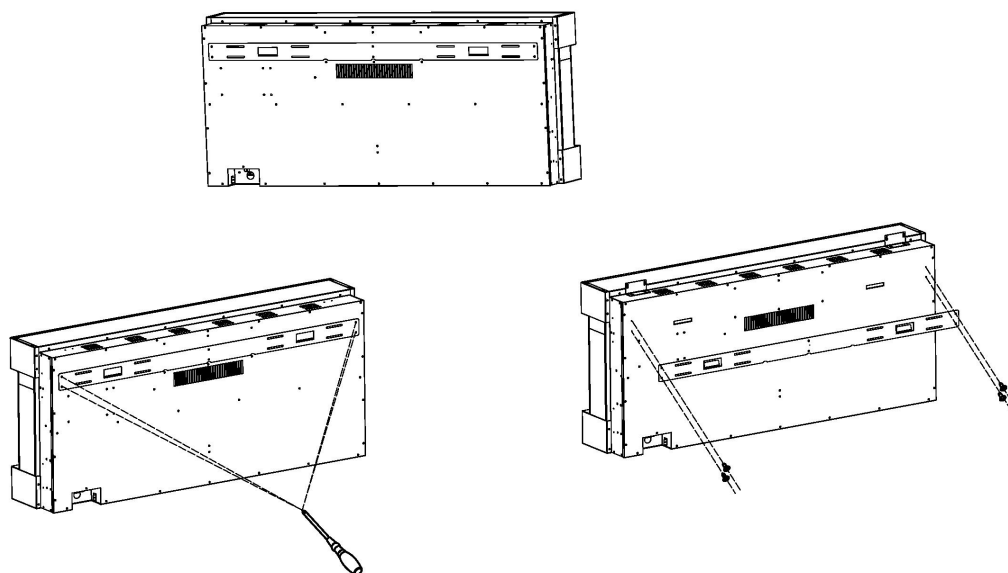
D. Označte polohu a následně připevněte vzpěry do stěny prostřednictvím dodaných šroubů. Úchytky vzpěry MUSÍ být nasměrovány nahoru a samotnou vzpěru je třeba nivelovat.

POZOR: Rozhodně se doporučuje, aby montážní vzpěra (E) byla přišroubovaná ke nástěnným kolíkům tam, kde to lze. Není-li možné použít nástěnné zápusťné šrouby, ujistěte se, že dodané plastové kotvy jsou použity k připevnění vzpěry ke stěně, a vzpěra je vhodně zajištěna.

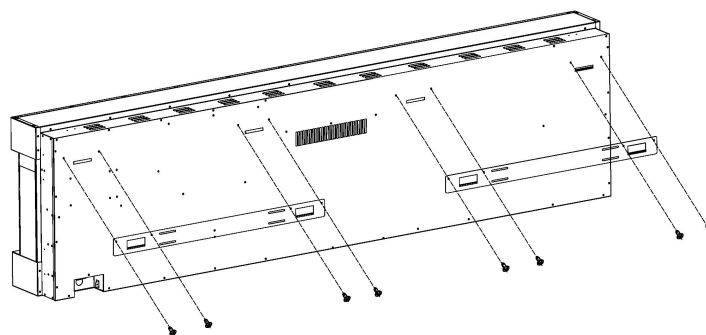
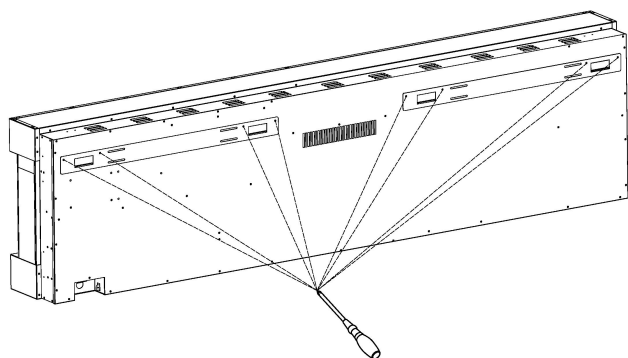
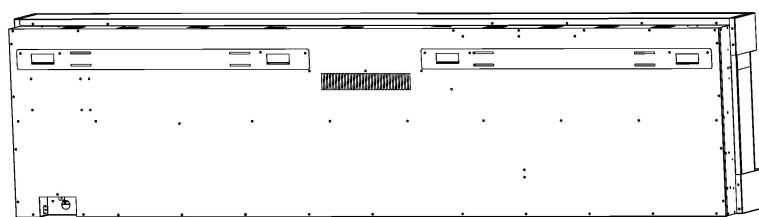


E. Po nainstalování nástěnné montážní vzpěry, s pomocí druhé osoby zvedněte zařízení a nasadte dvě úchytky vzpěry v otvorech na zadní stěně zařízení.

F. Zkontrolujte stabilitu zařízení, ujistěte se, že vzpěra se nevysune ze stěny.

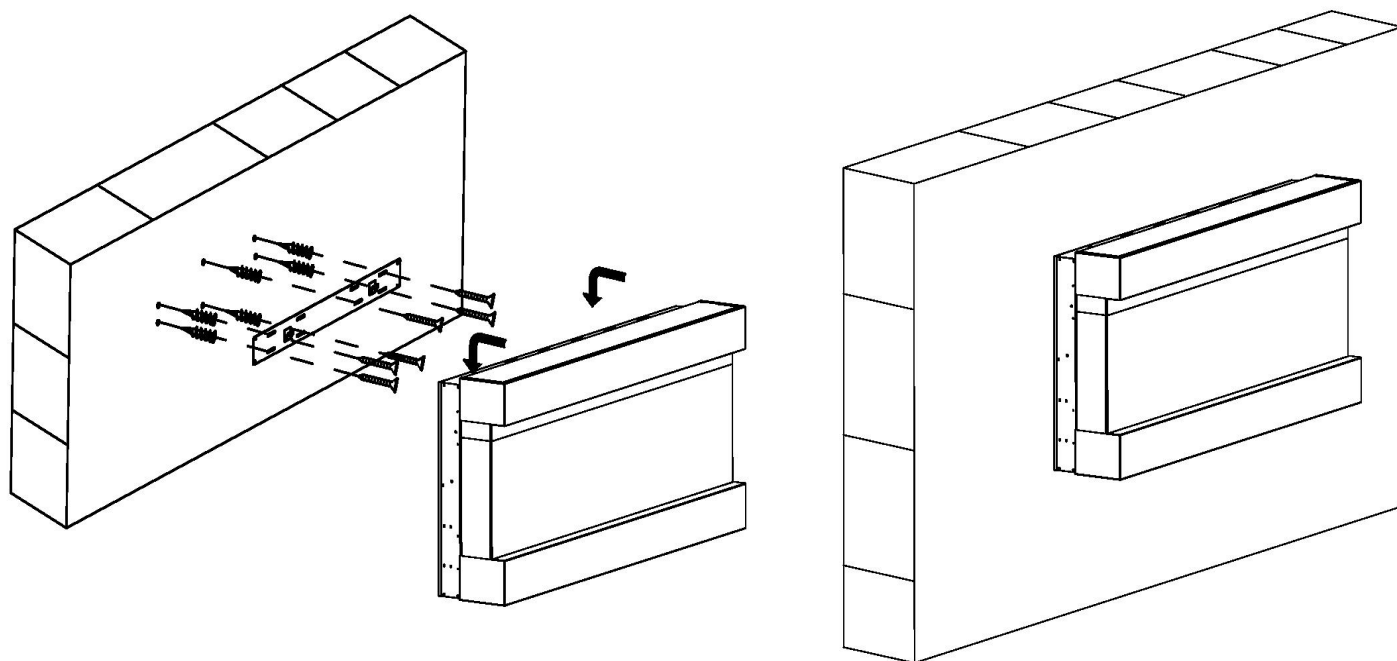


Ilustrace představující nástěnnou vzpěru pro modely AV-WM36-50IMP



Ilustrace představující nástěnnou vzpěru pro modely AV-WM60-72IMP

G. Váš elektrický krb bude po instalaci vypadat níže



Montáž sady polen / krystálků

(**POZOR:** montáž proveďte v souladu se zakoupeným nebo zvoleným druhem ohniště)

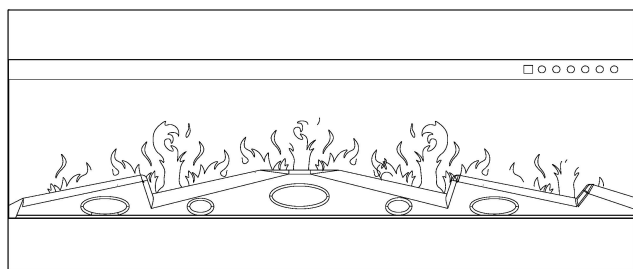
A. Před instalací sady kulatiny / křišťálu / uhlíků musí být odstraněna skleněná čelo a zařízení musí být namontováno na konečné místo.

B. Pokud je váš krb vybaven sadou polen, vyjměte poleno z obalu a vložte jej do slotu pro krb.

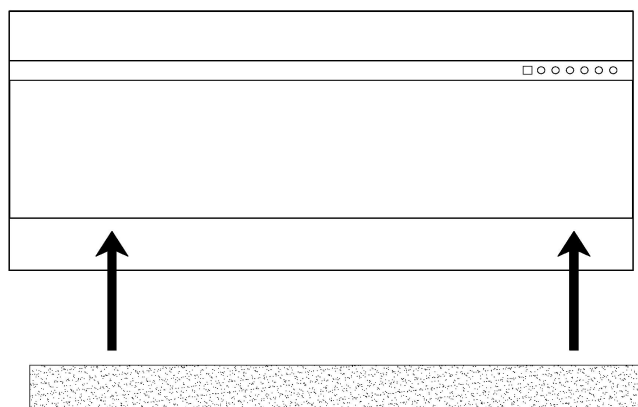
Obrázek 1.

C. Chcete-li přepnout na krystaly, nejdříve vytáhněte Log-set z krbové štěrbině, poté umístěte plastový podnos (J) na určené místo krbu. Poté opatrně vložte plastové krystaly do plastového zásobníku, jak je znázorněno. Naneste rovnoměrnou vrstvu ze strany na stranu. **Obrázek 2,**

Obrázek 3.



Obrázek 1



Obrázek 2



Obrázek 3. (Krystaly)

Obsluha



Před zapojením nebo použitím zařízení, přečtěte s pochopením celý uživatelský návod se zohledněním všech informací týkajících se bezpečnosti. Nedodržení tohoto požadavku může mít za následek vznik ohně, zasažení elektrickým proudem nebo vážná poranění těla nebo smrt.

Zapojení do napájení

Zapojte napájecí kabel do zásuvky AC 220-240 V (viz **DŮLEŽITÉ BEZPEČNOSTNÍ NÁVODY** na stranách 2 a 3). Ujistěte se, že zásuvka je v dobrém technickém stavu a zástrčka není volná. NIKDY nepřekračujte povolenou intenzitu proudu pro obvod. **NEzapojujte** jiná zařízení do stejného obvodu.

Způsoby obsluhy

Tento krb lze obsluhovat prostřednictvím DOTEKOVÉHO PANELU nacházejícího se na přední straně krbu nebo s použitím OVLADAČE DÁLKOVÉHO OVLÁDÁNÍ, napájeného bateriemi.

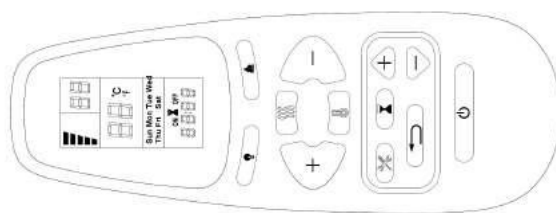
Obsluha a funkce obou metod jsou identické.

Před přistoupením k obsluze se seznamte s **PLATNÝMI BEZPEČNOSTNÍMI NÁVODY** na stranách 2 a 3 a dodržujte je.

Obsluha ovládacího panelu / ovladače


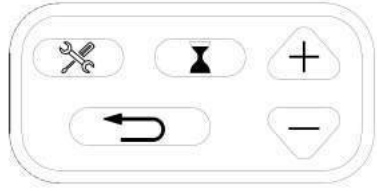


TLAČÍTKO	FUNKCE	FUNGOVÁNÍ A SIGNALIZACE
 POWER	ZAP.: Aktivuje funkci ovládacího panelu a ovladače. Zapíná efekt plamene. VYP: Blokuje funkci ovládacího panelu a ovladače. Vypíná efekt plamene.	<ol style="list-style-type: none"> 1. Stiskněte jednou: Kontrolka bude svítit. Zapojení napájení. Všechny funkce jsou aktivní. 2. Stiskněte opět: Efekt plamene je vypnutý. Zařízení je v režimu čekání. Všechny funkce jsou neaktivní.
 TIMER	Programátorské tlačítko: Regulace nastavení programátoru za účelem vypnutí krbu o určené hodině. Rozsah nastavení od 0,5 do 8 hodin.	<ol style="list-style-type: none"> 1. Stiskněte jednou: Kontrolka se zasvítí. Programátor je nastaven na 0,5 hodiny. 2. Stiskněte opět až kým nezískáte požadovaná nastavení. Kontrolka ukazuje nastavení.
 FLAME	Tlačítko PLAMENU: nastavení jasu plamene. POZOR: Efekt plamene zůstává zapojen do okamžiku stisknutí tlačítka napájení. Efekt plamene musí být zapojen za účelem spuštění topného tělesa.	<ol style="list-style-type: none"> 1. Stiskněte jednou: Změna jasu efektu plamene. 2. Stiskněte opět dokud nedosáhnete požadovaného nastavení.
 COLOR	Tlačítko BARVY: Změna barvy pro efekt plamene. POZOR: Efekt barvy zůstává aktivní do okamžiku stisknutí tlačítka napájení. Efekt barvy plamene musí být zapojen za účelem spuštění topného tělesa.	<ol style="list-style-type: none"> 1. Stiskněte jednou: Změna barvy plamene. 2. Stiskněte opět dokud nedosáhnete požadovaného nastavení.
 HEATER	Tlačítko TOPNÉHO TĚLESA: Zapíná a vypíná topné těleso. POZOR: Topné těleso bude fungovat jenom tehdy, když je aktivní efekt plamene. Pokud je efekt plamene vypnutý, topné těleso se nezapíná. POZOR: Za účelem přehřátí, ventilátor topného tělesa bude vhánět chladný vzduch po dobu 10 vteřin před zapojením topného tělesa a po jeho vypnutí.	<ol style="list-style-type: none"> 1. Stiskněte jednou. Kontrolka se zasvítí. Ventilátor vhání chladný vzduch po dobu 10 vteřin. Nízká úroveň topného tělesa se zapíná a vhání teplý vzduch. 2. Stiskněte opět. Kontrolka svítí. Vysoká úroveň topného tělesa se zapíná a vhání teplý vzduch. 3. Stiskněte opět. Topné těleso se vypne. Ventilátor vhání chladný vzduch po dobu 10 vteřin, přičemž umožňuje vychlazení topného tělesa, následně se vypne.
	Tlačítko podsvícení mýtin: změní barvu v dolní části efektu. POZNÁMKA: Barevný efekt zůstane aktivní, dokud není stisknuto tlačítko napájení.	<ol style="list-style-type: none"> 1. Stiskněte jednou. Změna barvy podsvícení. 2. Stiskněte znovu, dokud nedostanete požadované nastavení. 10 dostupných barev. 3. Automatický cyklus: Po 11 stisknutí se barvy podsvícení automaticky změní

Obsluha ovladače



TLAČÍTKO	FUNKCE	FUNGOVÁNÍ A SIGNALIZACE
 POWER	<p>ZAP.: Aktivuje funkce ovládacího panelu a ovladače. Zapálí efekt plamene.</p> <p>VYP.: Blokuje funkce ovládacího panelu a ovladače. Vypíná efekt plamene</p>	<ol style="list-style-type: none"> 1. Stiskněte jednou: Kontrolka se zasvítí. Zapojení napájení. Všechny funkce jsou aktivní. 2. Stiskněte opět: Efekt plamene je vypnutý. Zařízení je v režimu čekání. Všechny funkce jsou neaktivní.
	<p>Tlačítko BARVY: Změna barvy pro efekt plamene.</p> <p>POZOR: Efekt barvy zůstává aktivní do okamžiku stisknutí tlačítka napájení. Efekt barvy plamene musí být zapojen za účelem spuštění topného tělesa.</p>	<ol style="list-style-type: none"> 1. Stiskněte jednou: Změna barvy plamene. 2. Stiskněte opět dokud nezískáte požadované nastavení.
	<p>Tlačítko PLAMENE: nastavení jasu plamene.</p> <p>POZOR: Efekt plamene zůstává zapojen do okamžiku stisknutí tlačítka napájení. Efekt plamene musí být zapojen za účelem spuštění topného tělesa.</p>	<ol style="list-style-type: none"> 1. Stiskněte jednou: Změna jasu efektu plamene. 2. Stiskněte opět dokud nezískáte požadované nastavení.
 HEATER	<p>Tlačítko TOPNÉHO TĚLESA: Zapíná a vypíná topné těleso.</p> <p>POZOR: Topné těleso bude fungovat jenom tehdy když je aktivní efekt plamene. Pokud je efekt plamene vypnutý, topné těleso se nezapne.</p> <p>POZOR: Za účelem vyhnutí se přehřátí, ventilátor topného tělesa bude vhánět chladný vzduch po dobu 8-10 vteřin před zapnutím topného tělesa a po jeho vypnutí.</p>	<ol style="list-style-type: none"> 1. Stiskněte jednou. Kontrolka se zasvítí. Ventilátor vhání chladný vzduch po dobu 10 vteřin. Nízká úroveň topného tělesa se zapíná a vhání teplý vzduch. 2. Stiskněte opět. Kontrolka svítí. Vysoká úroveň topného tělesa se zapíná a vhání teplý vzduch. 3. Stiskněte opět. Topné těleso se vypne. Ventilátor vhání chladný vzduch po dobu 10 vteřin, přičemž umožňuje vychlazení topného tělesa, následně se vypne.

PROGRAMÁTORSKÉ NASTAVENÍ NA OVLADAČI

 Timer: Znáznorňuje aktuální den, čas a týden. Stiskněte za účelem zavedení nebo potvrzení nastavení.	
 Nastavení: Stiskněte za účelem přechodu na další krok (používejte tlačítko Timer). Stiskněte za účelem potvrzení týdenního programu.	
 Zpět: Stiskněte za účelem vymazání nastavení. Stiskněte za účelem návratu do předchozího kroku (používejte s tlačítkem Nastavení).	
Nahoru/Dolů (používejte s tlačítkem Nastavení).	

Digitální displej

Dny týdne

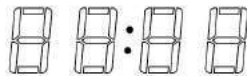
Mon, Tues, Wed, Thurs, Fri, Sat, Sun

Znáznorňování času

Aktuální čas / Timer od 00: 00 do 24

Sun Mon Tue Wed
Thu Fri Sat

ON  OFF



Pozor: Funkce lze nastavovat pouze tehdy, když blikají vhodná písmena nebo číslice.
Pozor: Kalibrujte hodiny na aktuální čas před týdenními nastaveními.



TEMP








Tlačítko TEPLoty: Zapíná a vypíná topné těleso.

POZOR: Stiskněte a podržte tlačítko po dobu 5 vteřin, stupnice se změní z °C na °F. Stejně tak z °F na °C.

- Stiskněte jednou:** Kontrolka se zasvítí. Teplota se změní na 18 °C
- Stiskněte opět:** dokud nezískáte požadované nastavení. Displej znázorňuje nastavení z tabulky:

NO	0	1	2	3	4	5	6	7	8	9	10	11	12
°C	18	19	20	21	22	23	24	25	26	27	28	29	30
°F	64	66	68	70	72	74	76	78	80	82	84	86	88
	65	67	69	71	73	75	77	79	81	83	85	87	

1 Nastavte aktuální den a čas






1. Stiskněte  jednou. Když "MON" (Pondělí) začne blikat, použijte  pro volbu aktuálního dne.
2. Stiskněte  . Když hodinové číslice začnou blikat, použijte  za účelem opětovného nastavení hodin.
3. Stiskněte  Když minutové číslice začnou blikat, použijte  za účelem opětovného nastavení minut.
4. Stiskněte  Aktuální čas byl nastaven.

2 Nastavte čas zapínání/vypínání a teplotu v týdenním programu

1. Stiskněte  . Když začne blikat "MON" (pondělí), stiskněte  3-krát. Když "ON" začne blikat použijte  za účelem volby požadované hodiny a minuty **ZAPNUTÍ** topení  v libovolném okamžiku za účelem odstranění číslice a vypnutí timeru









pozor:

Timer lze nastavit jenom po 30-minutových krocích (např. 00:00 - 00:30; 00:30 - 01:00, atd.)

2. Stiskněte  . Když začne blikat "OFF", použijte  na volbu zvolené hodiny a minuty **VYPNUTÍ** topení. Stiskněte  libovolném okamžiku za účelem odstranění číslice a vypnutí timeru.
3. Stiskněte  opět. Když "18" přestane blikat, použijte  ke zvolení požadované teploty pro pondělí.

pozor:

Pokud byla teplota dříve nastavena, tyto číslice se budou znázorňovat místo "18".

4. Stiskněte  opět. Když se znázorní "TUES" (úterý) a "ON" začne blikat, použijte  za účelem volby požadované hodiny a minuty zapnutí topení v úterý.
5. Stiskněte  opět. Když začne blikat "OFF", použijte  pro volbu požadované hodiny a minuty vypnutí topení v úterý.
6. Stiskněte  opět. Když "18" začne blikat  použijte pro volbu požadované teploty pro úterý.
7. Zopakujte kroky od 1 do 6, za účelem nastavení času zapnutí/vypnutí a teploty pro středu (WED), čtvrtek (THURS), pátek (FRI), sobotu (SAT) a neděli (SUN).
8. Stiskněte  o  za účelem ukončení nastavování a ujistěte se, že ovladač je nasměrován na přijímač umístěný ve středu zařízení. Zařízení bude vysílat jeden zvukový signál za účelem potvrzení, že programování bylo úspěšně ukončeno.

Upozornění o otevřeném oknu

Pokud teplota v místnosti klesne o 10 stupňů v průběhu 3 minut, zařízení bude předpokládat, že v blízkosti se nachází otevřené okno. Za účelem úspory energie se krb automaticky přepne z režimu Vysoký na Nízký nebo pokud se topné těleso nachází v režimu Nízký, úplně se vypne.

Po přepnutí z režimu Vysoký na Nízký zařízení bude vysílat 3 zvukové signály a digitální displej bude blikat "88" 3-krát před znázorněním existujícího stavu ohřívání.

Po přepnutí z režimu Nízký na Off zařízení bude vysílat 3 zvukové signály a digitální displej bude stále blikat "88".

Za účelem resetu funkce ohřívání, viz kapitolu "Obsluha ovladače".

POZOR

Během prvního spuštění topného tělesa se může objevit jemný zápach. Je to normální jev a neměl by se opakovat, leda že ohřívací těleso nebude používáno delší dobu.

POZOR

Za účelem zlepšení činnosti, **nasměřujte** ovladač na přední část krbu. **NEstiskejte tlačítka příliš rychle**. Počkejte chvíli než zařízení zareaguje na jednotlivé pokyny.

Ovládání omezení teploty

Ohřívací těleso je vybaveno ovládáním omezení teploty. V případě dosažení nebezpečně vysoké teploty, se ohřívací těleso vypne. Za účelem navrácení práce:

1. Vypojte napájecí kabel ze zásuvky.
2. Přepněte přepínač ON/OFF na OVLÁDACÍM PANELU na OFF. **Počkejte 5 minut**.
3. Zkontrolujte zda ventilační mřížky krbu nejsou zakryty nebo ucpané prachem. V případě ucpání, použijte vysavač za účelem jejich vyčištění.
4. S přepínačem nastaveným do polohy OFF, opětovně zapojte napájecí kabel do zásuvky.
5. Pokud problém nezmizí, svěřte kontrolu zásuvky a kabeláže specialistovi.

Informace o bateriích ovladače

- V tomto ovladači jsou použity dvě baterie typu AAA (nepřiloženy).



NIKDY nevhazujte baterie do **ohně**. Jednání nezhodné s tímto požadavkem **může hrozit výbuchem**. Použité baterie je třeba vyhazovat do speciálně označených nádob a odevzdat je ve Středisku Tříděného Sběru Komunálního Odpadu.

Čištění a údržba

Čištění



Před zahájením čištění, údržby nebo přenášení krby, je třeba **VŽDY vypínat** topné těleso a **vypojit napájecí kabel ze zásuvky**. Nedodržení tohoto požadavku může mít za následek **vznik ohně, zasažení elektrickým proudem nebo poranění těla**.



NIKDY zařízení nezanažujte ve vodě ani nestříkejte na něj vodu. Takové jednání může mít za následek **vznik ohně, zasažení elektrickým proudem nebo poranění těla**.

Kovové dílce:

- Leštíte suchým hadříkem, jemně navlhčeným v čistícím přípravku na bázi citrusových olejků.
- NEpoužívejte** prostředky k leštění mosaze nebo domácí čistící prostředky, protože tyto výrobky poškozují kovové provedení.

Skleněné dílce:

- Používejte vysoce kvalitní prostředek na mytí skleněných ploch, rozprašován na hadřík nebo ručník. Důkladně osušte papírovým ručníkem nebo netřepícím hadříkem.
- NIKDY** nepoužívejte brusné čistící prostředky, aerosole nebo jiné výrobky, které mohou poškrábat povrch.

Ventilační mřížky:

- Odstraňte prach a nečistoty z topného tělesa a povrchu mřížek prostřednictvím vysavače nebo hadříku na prach.

Plastové dílce:

- Jemně utřete hadříkem, jemně navlhčeným v jemném roztoku prostředku na mytí nádobí a teplé vody.
- NIKDY** nepoužívejte brusné čistící prostředky, aerosole nebo jiné výrobky, které mohou poškrábat povrch.

Údržba



Riziko zasažení proudem! NEOTVÍREJTE žádné panely! Zařízení neobsahuje díly určeny k samostatné opravě!



Před zahájením čištění, údržby nebo přenášání krby, **VŽDY vypínejte** topné těleso a **vypojte napájecí kabel ze zásuvky**. Nedodržení tohoto požadavku může mít za následek **vznik ohně, zasažení elektrickým proudem nebo poranění těla**.

Elektrické a pohyblivé díly:

- Motory ventilátorů byly výrobně namazány a nevyžadují pozdější namazání.
- Elektrické díly jsou integrovány v zařízení a nesmí být samostatně opravovány.

Přechovávání:

- Nepoužívané zařízení je třeba přechovávat na čistém, suchém místě.



UPOZORNĚNÍ! Vnitřní elektrické díly **NEJSOU URČENY** k samostatné opravě uživatelem.

UPOZORNĚNÍ

**PŘED JAKOUKOLIV SERVISNÍ ČINNOSTÍ, ZAŘÍZENÍ ÚPLNĚ VYPOJTE Z NAPÁJENÍ
A POČKEJTE NEŽ VYCHLADNE. ELEKTRICKÁ ZAŘÍZENÍ MŮŽOU BÝT SERVISOVÁNY A OPRAVOVÁNY
VÝLUČNĚ KVALIFIKOVANÝM SERVISNÍM PERSONÁLEM**

Problém	Možná příčina	Řešení
1. Krb se vypíná a nelze jej opětovně zapnout.	1. Krb se přehřál a ochrana způsobila zaúčinkování termického vypínače nebo byl spuštěn vypínač napájecího obvodu.	1. Resetujte ochranu přepnutím vypínače napájení do OFF a počkejte 10 minut, a následně jej opětovně zapněte nebo stiskněte samočinný vypínač napájecího obvodu.
2. Plamen se nepohybuje.	1. Povolené kabely. 2. Poškozený motorek mechanismu plamene. 3. Horák není na svém místě	1. Zkontrolujte kabeláž z důvodu povolených spojů 2. Kontaktujte autorizovaného servisního technika za účelem výměny motoru. 3. Horák se mohl přesunout během přepravy /přenášení. Opravy vyžadují demontáž předního skla, otočení krbu nahoru dnem, odstranění sady šroubů připevňujících spodní panel a umístění horáku zpět na své místo.
3. Plamen je neviditelný.	1. Povolené kabely.	1. Vypojte kabel z napájecího zdroje z důvodu povolených spojů. Opravte nebo vyměňte v případě potřeby. 2. Stiskněte tlačítko plamene za účelem zvýšení síly efektu.
4. Sada polen se nezhaví.	1. Povolené kabely. 2. Funkce žhavení je vypnuta.	1. Vypojte kabel z napájecího zdroje z důvodu povolených spojů. Opravte nebo vyměňte v případě potřeby. 2. Stiskněte tlačítko žhavení za účelem zvýšení síly efektu.
5. Ovladač nefunguje.	1. Vybité baterie. 2. Nesprávně nasměrovaný vysílač signálu. 3. Poškozený ovladač a/nebo	1. Vyměňte baterie v ovladači. 2. Vysílač nasměrujte na snímač umístěný přímo za skleněným panelem ve středu zařízení nad poleny. 3. Vyměňte ovladač a/nebo
6. Krb se nespouští navzdory přepnutí vypínače do polohy ON.	1. Krb nebyl zapojen do elektrické zásuvky. 2. Porucha ovládání. 3. Přitažení pojistky.	1. Zkontrolujte zástrčku. 2. Kontaktujte autorizovaný servis. 3. Opětovně zapněte automatický vypínač.

7. Po zapnutí topné těleso nesálá teplo.	1. Zaúčinkování termického vypínače.	1. Vypněte zařízení a vypojte je z napájení po dobu 10 minut. Zapojte opět zástrčku a zapněte zařízení. Pokud zástrčka není dostupná, postupujte shodně s návody týkajícími se přitažené rozdílovo-proudové ochrany.
	2. Povolené kabely.	2. Vypojte kabel z napájecího zdroje a zkontrolujte z důvodu povolených spojů. Opravte nebo vyměňte v případě potřeby.
	3. Porucha topného tělesa.	3. Vyměňte topné těleso.

POZOR: Za účelem demontáže skleněného panelu, umístěte dva šrouby na obou stranách přední strany zařízení (na levé a pravé straně). Po jejich odšroubování, vysuňte sklo nahoru a vyberte z krbu. Po odstranění spodního panelu bude viditelný jeden motorek plamenu na pravé straně, kde musí být umístěn horák spolu s gumovým těsněním.

Je třeba pamatovat na vypojení zařízení z napájení před přistoupením k jakýmkoliv pracím. Sklo, jak rovněž celé zařízení je třeba vždy pokládat na ručníku nebo jiném materiálu, který nepoškodí dílce/ rám.

Tato celá procedura by neměla trvat déle než 20-30 minut.

UŽÍVATEL'SKÝ NÁVOD

■ AV-WM36IMP

■ AV-WM43IMP

■ AV-WM50IMP

■ AV-WM60IMP

■ AV-WM72IMP



IMPERIAL 36"/43"/50"/60"/72"
Nástenný elektrický krb / pre zástavbu
AC 220V-240V 50Hz 1400-1600 W

⚠ UPOZORNĚNIE

Pred zapojením alebo použitím zariadenia, si prečítajte s pochopením celý užívateľský návod so zohľadnením všetkých informácií týkajúcich sa bezpečnosti. Nedodržanie tejto požiadavky môže mať za následok vznik ohňa, zasiahnutie elektrickým prúdom alebo vážne poranenie tela.

⚠ POZOR

Uchovajte tento užívateľský návod za účelom jeho použitia v budúcnosti. V prípade predaje alebo odovzdania zariadenia, je treba bezodkladne priložiť k nemu návod.



DÔLEŽITÉ BEZPEČNOSTNÉ POKYNY:



UPOZORNENIE:

Počas používania elektrických zariadení je treba vždy dodržiavať základné bezpečnostné prostriedky za účelom zníženia rizika požiaru, zásahu elektrickým prúdom a zranenia osôb, so zohľadnením dole uvedených pokynov:

- Prečítajte všetky návody pred použitím tohto zariadenia.
- Zariadenie sa počas práce zohrieva. Za účelom vyhnutiu sa popáleniu, nedotýkajte horúce plochy.. Pokiaľ sú dostupné – používajte držiaky za účelom prenášania zariadenia. Horľavé materiály také akými sú nábytok, vankúše, posteľné prádlo, dokumenty, šaty a záclony prechovávajúte vo vzdialenosti najmenej 1 m od prednej strany zariadenia. Všetky tieto predmety držte zďaleka od bokov a zadnej časti zariadenia. Za účelom vyhnutiu sa prehriatiu, zariadenie ničím nezakrývajte.
- Zvláštnu pozornosť je potrebné venovať, keď je vykurovacie zariadenie používané v blízkosti detí alebo postihnutých osôb a keď je ponechané zapnuté bez dozoru.
- Nepoužívané zariadenie je potrebné vypojiť z napájania.
- Nespúšťajte zariadenie s poškodeným napájacím káblom alebo zástrčkou, alebo v prípade poruchy zariadenia pádu z výšky. Zariadenie je potrebné odovzdať do autorizovaného servisu za účelom preskúmania, elektrického alebo mechanického nastavenia alebo opravy.
- Zariadenie je určené výlučne na použitie vo vnútri budovy.
- Zariadenie nepoužívajte v kúpeľniach, práčovniach a podobných miestnostiach. Zariadenie nikdy neumiestňujte v miestach, kde môže spadnúť do vane alebo inej nádrže s vodou.
- Napájací kábel nevedzte pod krytinou. Kábel nezakrývajte kobercami, behúňmi a inými krytinami. Kábel vedzte zďaleka od často navštevovaných miest a takým spôsobom, aby sa nikdo o neho nepotkol.
- Za účelom vypnutia zariadenia, vypnite všetky kontrolky do polohy „OFF” a následne vytiahnite zástrčku zo zásuvky.
- Nevkladajte ani nedovoľte, aby sa akékoľvek predmety dostali do ventilačných otvorov a prívodu vzduchu, pretože to môže spôsobiť zasiahnutie prúdom, požiar alebo poškodenie zariadenia.
- Za účelom vyhnutiu sa riziku požiaru, neblokujte prívody a vývody vzduchu akýmkoľvek spôsobom. Zariadenie nepoužívajte na mäkkých plochách takých akou je posteľ, kde otvory môžu byť zablokované.
- Krb má vo vnútri ohrievacie diely a diely, ktoré môžu vytvárať iskry a elektrické oblúky. Nepoužívajte v miestach prechovávania benzínu, farieb alebo iných ľahko horľavých kvapalín.
- Krb používajte spôsobom znázorneným v tomto návode. Všetky iné použitia neodporúčané výrobcom môžu spôsobiť požiar, zasiahnutie elektrickým prúdom alebo poranenie osôb.
- NEBEZPEČÍ – VYSOKÉ teploty môžu byť generované v nevhodných pracovných podmienkach. Vykurovacie zariadenie nezakrývajte úplne alebo čiastočne spredu.
- Svietidlá je možné vymieňať výlučne po odpojení krbu z napájania.
- Toto zariadenie nie je určené na používanie osobami (vrátane detí) so zníženými fyzickými, duševnými alebo vnemovými schopnosťami alebo osobami, ktoré nemajú príslušné vedomosti alebo skúsenosti, iba ak sa nachádzajú pod dozorom osoby zodpovednej za ich bezpečnosť alebo boli ňou poučené v rozsahu používania zariadenia. Je potrebné dbať na to, aby sa deti nehrali so zariadením.
- POZOR: Za účelom vyhnutiu sa rizika spôsobeného neúmyselným resetovaním termických prepäťových vypínačov, krb nesmiete zapájať do vonkajšieho prepínacieho zariadenia, akými sú programátor alebo obvod s cyklickou sústavou zapínania a vypínania.

Príprava

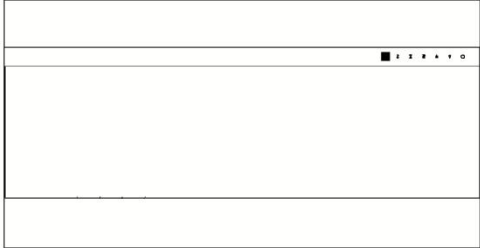

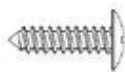
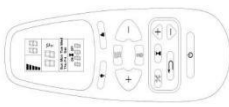
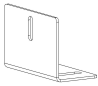
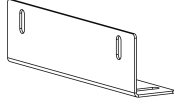






Tento výrobek je vybaven **skleněným panelem!** Vždy během přenášení **skla** je třeba zachovat **zvláštní opatrnost**. Nedodržení tohoto pokynu může mít za následek zranění těla nebo poškození majetku.

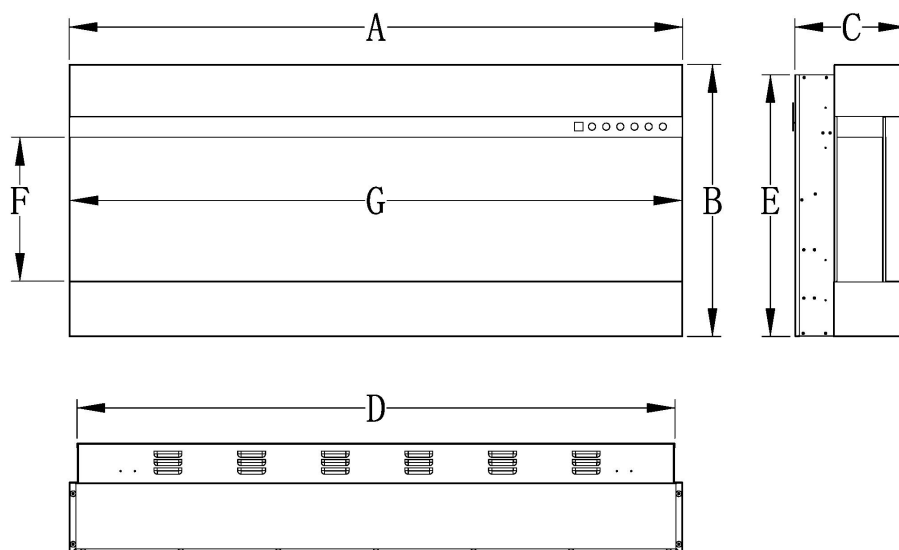
Vyberte všetko sústrojenstvo a montážne diely z kartónu a položte ich na čistom, mäkkom a suchom podklade. Skontrolujte zoznam dielov za účelom uistenia, že nič nechýba. Baliace materiály je potrebné zlikvidovať vhodným spôsobom. Vždy, keď je to možné, je potrebné odovzdávať odpady na opätovné spracovanie.

Potrebné bude nasledujúce náradie (nepredstavujú vybavenie): krížový skrutkovač; vodováha; meradlo; vŕtačka; kladivo.

Sústrojenstvo a montážne diely

 <p>A – Krb</p>	 <p>B – Zápustné skrutky do dreva</p>	 <p>C – Kotvy</p>	
	 <p>Ovládač diaľkového ovládania</p>	 <p>E-Kovová vzpera (Spodná - krátka)</p>	 <p>F- Kovová vzpera (Vrchná - dlhšia)</p>
 <p>G - Nástenný držiak Montovaný v zadnej časti krytu</p>	 <p>H-Kryštáliky</p>	 <p>I - Polená</p>	 <p>J - Plastový podnos</p>

Špecifikácie a rozmery



ROZMERY VÝROBKU

Číslo modelu	A	B	C	D	E	F	G
AV-WM36IMP	36.6" 93cm	19.1" 48.4cm	7.9" 20cm	35.5" 90.2cm	18.3" 46.56cm	10.1" 25.61cm	36.4" 92.57cm
AV-WM43IMP	43.3" 110.2cm	19.1" 48.4cm	7.9" 20cm	42.2" 107.22cm	18.3" 46.56cm	10.1" 25.61cm	43.1" 109.6cm
AV-WM50IMP	50" 127cm	19.1" 48.4cm	7.9" 20cm	48.9" 124.2cm	18.3" 46.56cm	10.1" 25.61cm	49.8" 126.57cm
AV-WM60IMP	60" 152.4cm	19.1" 48.4cm	7.9" 20cm	58.9" 149.6cm	18.3" 46.56cm	10.1" 25.61cm	59.8" 151.97cm
AV-WM72IMP	72" 182.8cm	19.1" 48.4cm	7.9" 20cm	70.9" 180cm	18.3" 46.56cm	10.1" 25.61cm	71.8" 182.37cm

Montáž a inštalovanie

Zariadenie je určené na montáž na stenu, vstavané v stene, a/alebo v kryte. Zvoľte vhodné miesto, ktoré nepodlieha vlhku a nachádza sa zďaleka od záclon, nábytku a miest s veľkou intenzitou pohybu.

POZOR: Je potrebné dodržiavať všetky tuzemské a miestne elektrické predpisy.

MINIMÁLNY ODPSTUP OD ĽAHKO HORĽAVÝCH MATERIÁLOV

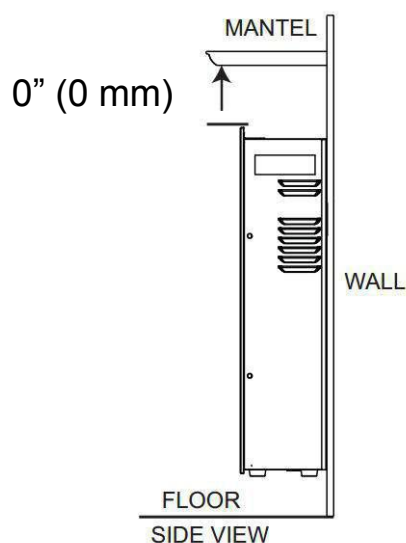
Merania sú vykonávané od sklenenej prednej strany.

Dolná časť	0"	Horná časť	8" (300mm) od krytu
Boky	0"	Horná časť	8" (300mm) od stropu
Zadná časť	0"		

MINIMÁLNY ODPSTUP OD KRYTU

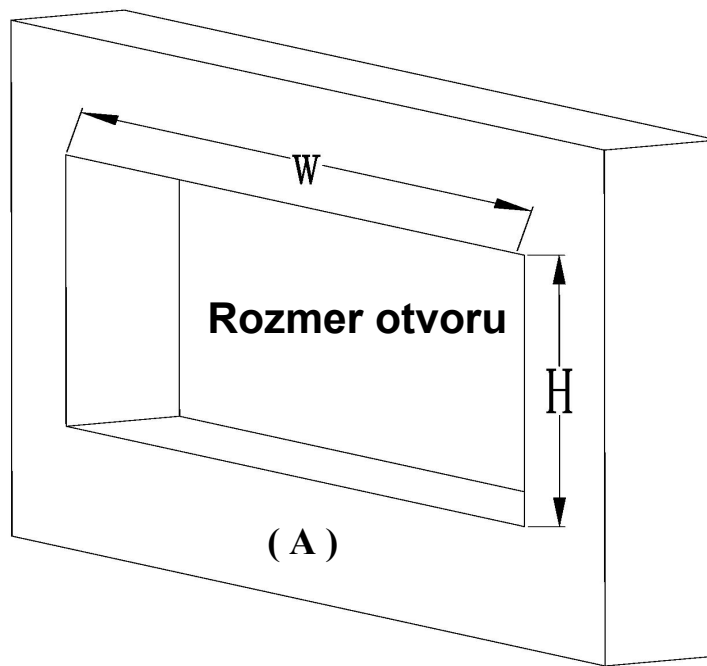
POZOR

S POUŽITÍM FARBY ALEBO UKONČOVACIEHO LAKU KRYTU, FARBA ALEBO LAK MUSIA BYŤ TEPELNE ODOLNÉ ZA ÚČELOM PREDCHÁDZANIA ODFARBENIAM.



MONTÁŽ V ZÁSTAVBE STENY

POZNÁMKA: Krb nainštalujte tak, aby ho bolo možné v prípade poruchy odmontovať zo steny na servisné účely.

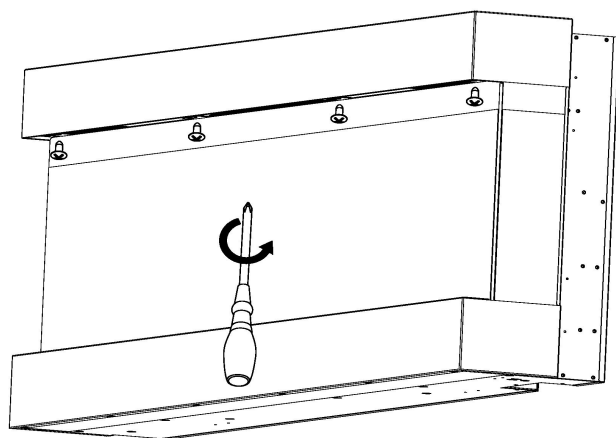


Krok A. Zvoľte stenu zo suchej omietky za účelom vykonania otvoru pre krb. Vhodné rozmery otvoru je potrebné skontrolovať v dole uvedenej tabuľke. **Obrázok (A)**

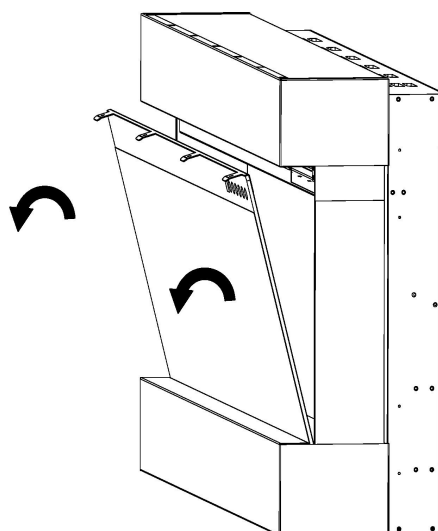
Rozmer otvoru		
Číslo modelu	W	H
AV-WM36IMP	35.9" (91.2CM)	18.84" (47.86CM)
AV-WM43IMP	42.71" (108.3CM)	18.84" (47.86CM)
AV-WM50IMP	49.29" (125.2CM)	18.84" (47.86CM)
AV-WM60IMP	59.29" (150.6CM)	18.84" (47.86CM)
AV-WM72IMP	71.25" (181CM)	18.84" (47.86CM)

KROK B. Pomocou skrutkovača odskrutkujte skrutky spredu **Obrázok (B)**

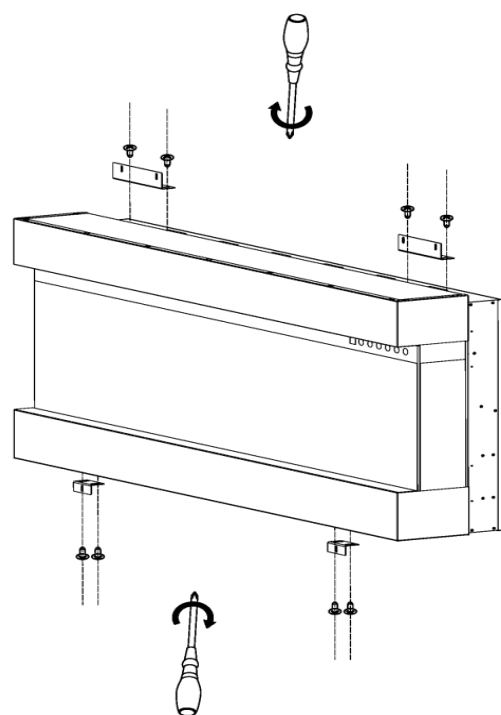
KROK C. Požiadajte dvoch dospelých ľudí, aby vytiahli sklenený panel a vybrali ho **Obrázok (C)**



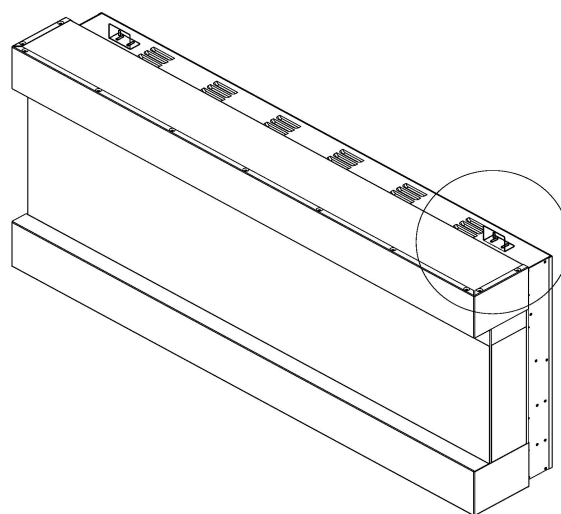
(B)



(C)



(D)



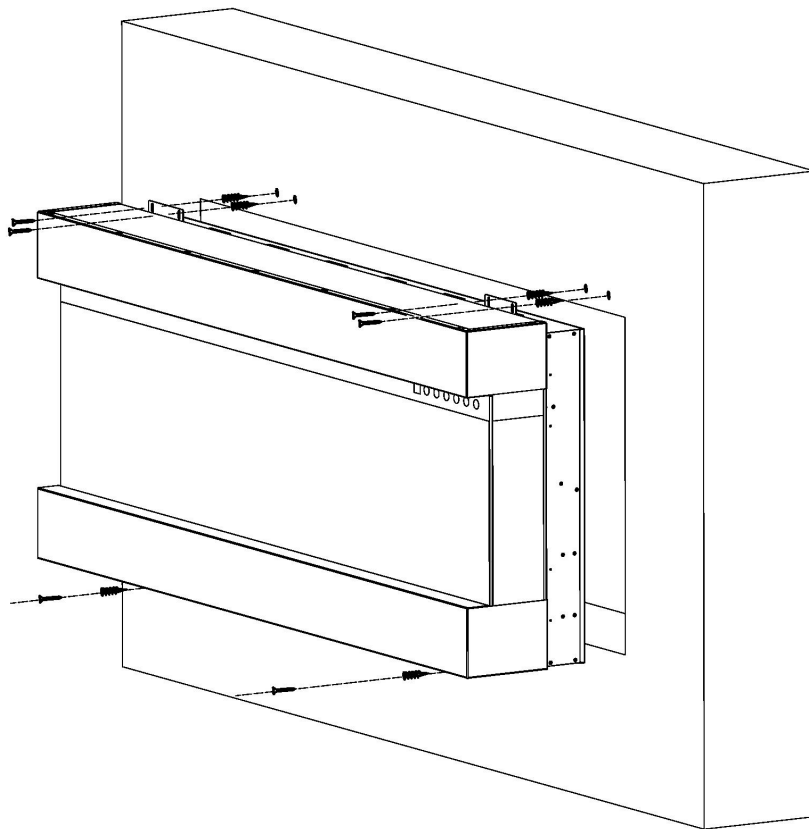
(E)

KROK D. Kovové úchytky (E) pripevnite na spodnú časť a (F) na hornú časť krbovej skrinky.

Obrázok (D, E)

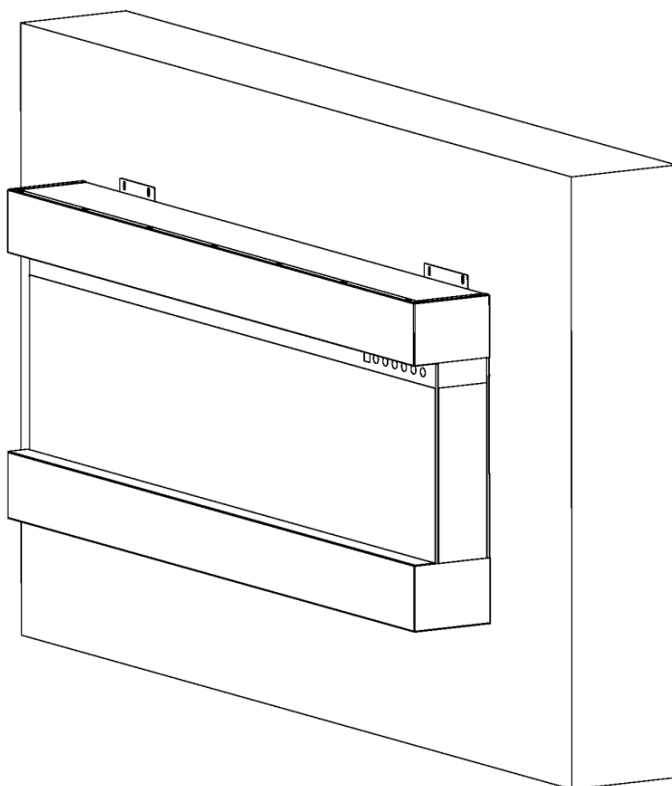
POZNÁMKA: Kovové konzoly je možné použiť ako pohyblivé, podľa potreby ich upravte na najlepšie miesto

KROK E. Požadajte dvoch dospelých ľudí, aby zdvihli krbovú skrinku a vložili ju do otvoru na otvorenie steny. Pomocou skrutkovača pripevnite všetky skrutky do dreva a kotvy do sadrokartónu cez kovové konzoly k stene a pevne ich pripevnite. **POZNÁMKA:** Uistite sa, že sú všetky skrutky a kotvy sadrokartónu dobre zaskrutkované.



(F)

KROK F. Váš elektrický krb bude po inštalácii vyzerat' ako nižšie



NÁSTENNÁ MONTÁŽ

Z dôvodu mnohých rôznych materiálov používaných na rôznych stenách, odporúča sa konzultácia s profesionálom pred nainštalovaním tohto zariadenia na stene.

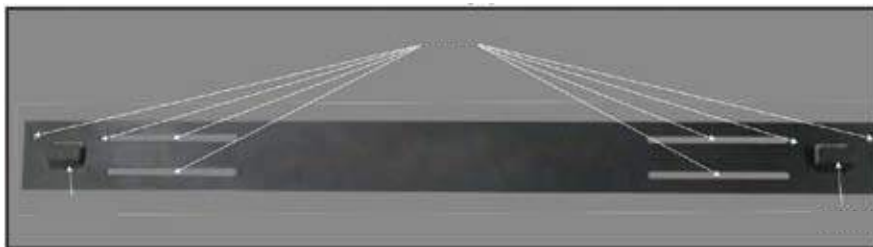
A. Zvoľte miesto, ktoré nepodlieha vlhku a nachádza sa najmenej 100 cm od ľahko horľavých materiálov, takých akými sú záclony, nábytok, posteľ, papier atď.

B. Pre určenie konečnej lokalizácie sú potrebné dve osoby na držanie.

C. Kryt umiestnite prednou časťou dolu na mäkký, nedrsný povrch. Vyberte vzperu zo zadnej časti zariadenia vyskrutkovaním skrutiek, viď Obrázok 1.

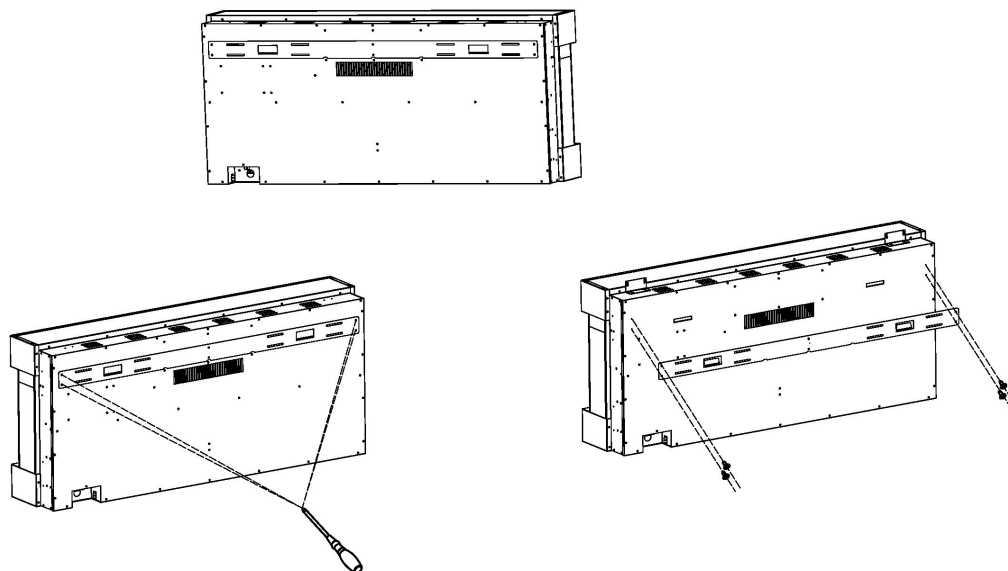
D. Označte polohu a následne pripevnite vzpery do steny prostredníctvom dodaných skrutiek. Úchytka vzpery MUSIA byť nasmerované hore a samotnú vzperu je potrebné nivelovať.

POZOR: Rozhodne sa odporúča, aby montážna vzpera (E) bola priskrutkovaná k nástenným kolíkom tam, kde je to možné. Pokiaľ nie je možné použiť nástenné zápusťné skrutky, uistite sa, že dodané plastové kotvy sú použité na pripevnenie vzpery ku stene, a vzpera je vhodne zaistená.

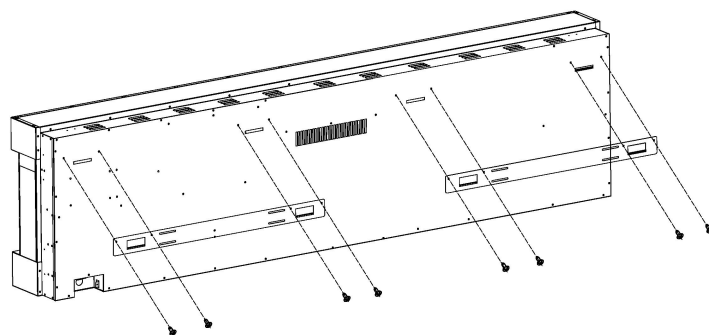
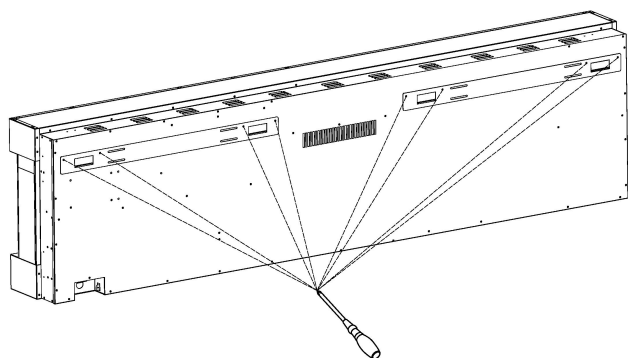
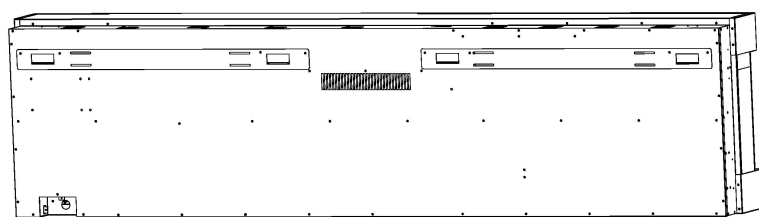


E. Po nainštalovaní nástennej montážnej vzpery, s pomocou druhej osoby zdvihnite zariadenie a nasadíte dve úchytka vzpery v otvoroch na zadnej strane zariadenia.

F. Skontrolujte stabilitu zariadenia, uistite sa, že vzpera sa nevysunie zo steny.

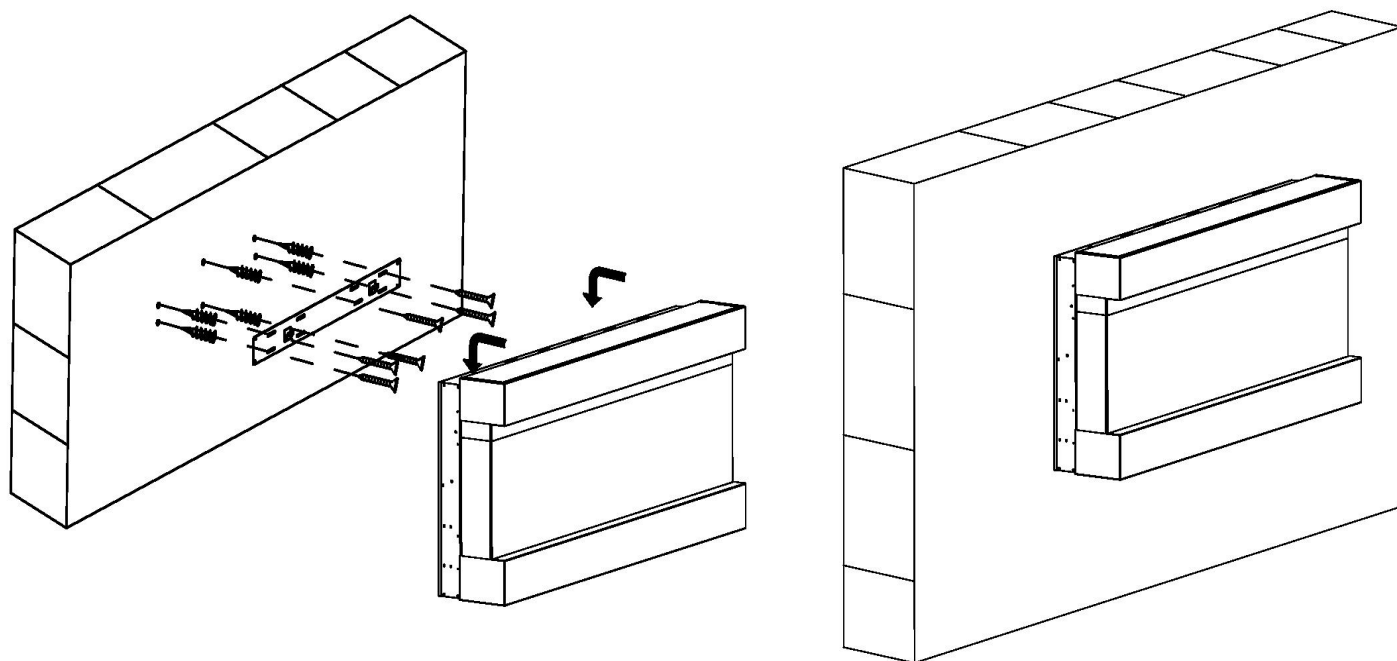


Ilustrácia predstavujúca nástennú vzperu pre modely AV-WM36-50IMP



Ilustrácia predstavujúca nástennú vzperu pre modely AV-WM60-72IMP

G. Váš elektrický krb bude po inštalácii vyzerat' ako nižšie



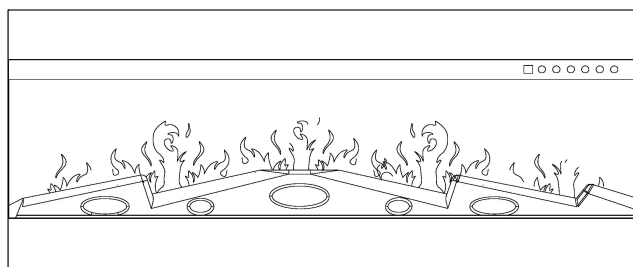
Montáž sady polen / krystáľkú

(**POZOR:** montáž provedte v souladu se zakoupeným nebo zvoleným druhem ohniště)

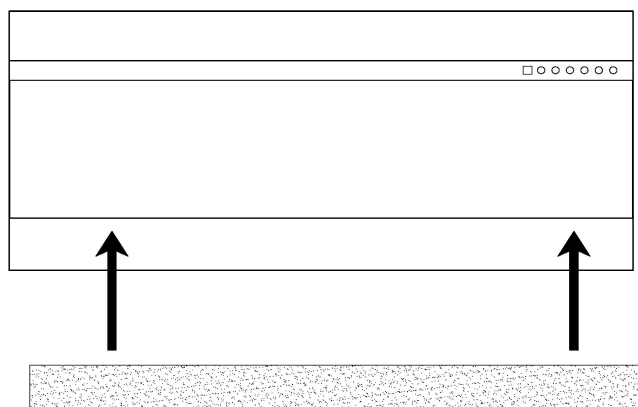
A. Pred inštaláciou sady guľatiny / krištáľu / žeravého uhlíka musí byť odstránená sklenená čelo a spotrebič musí byť namontovaný na svojom konečnom mieste.

B. Ak je váš krb vybavený guľatinou, vyberte ju z obalu a vložte ju do zásuvky pre krb. **Obrázok 1.**

C. Ak chcete prepnúť na kryštály, najskôr vyťahnite guľatinu zo štrbiny pre krb a potom plastovú vaničku (**J**) položte na určené miesto pre krb. Potom opatrne vložte krištáľové uhlíky do plastového podnosu, ako je to znázornené. Naneste rovnomernú vrstvu zo strany na stranu. **Obrázok 2, Obrázok 3.**



Obrázok 1



Obrázok 2



Obrázok 3. (Kryštáľiky)

Obsluha



Pred zapojením alebo použitím zariadenia, prečítajte s pochopením celý užívateľský návod so zohľadnením všetkých informácií týkajúcich sa bezpečnosti. Nedodržanie tejto požiadavky môže mať za následok vznik ohňa, zasiahnutie elektrickým prúdom alebo vážne poranenie tela alebo smrť.

Zapojenie do napájania

Zapojte napájací kábel do zásuvky AC 220-240 V (viď **DÔLEŽITÉ BEZPEČNOSTNÉ NÁVODY** na stranách 2 a 3). Uistite sa, že zásuvka je v dobrom technickom stave a zástrčka nie je voľná. **NIKDY** neprekračujte povolenú intenzitu prúdu pre obvod. **NEzapájajte** iné zariadenia do rovnakého obvodu.







Spôsoby obsluhy

Tento krb je možné obsluhovať prostredníctvom DOTYKOVÉHO PANELU nachádzajúceho sa na prednej strane krbu alebo s použitím OVLÁDAČA DIAĽKOVÉHO OVLÁDANIA, napájaného batériami.

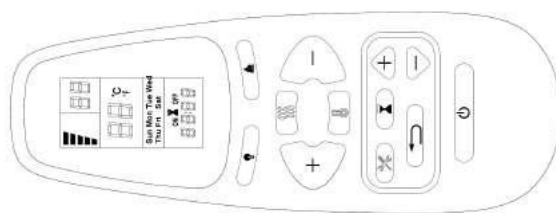
Obsluha a funkcie oboch metód sú identické.

Pred prístupom k obsluhu sa zoznámte s **PLATNÝMI BEZPEČNOSTNÝMI NÁVODMI** na stranách 2 a 3 a dodržiavajte ich.

Obsluha ovládacieho panela / ovládača


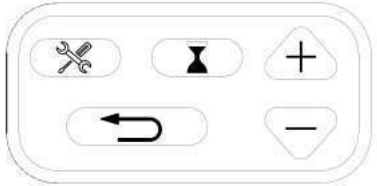




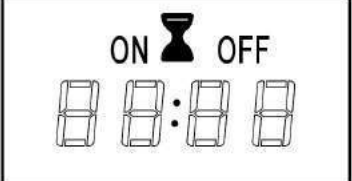
TLAČIDLO	FUNKCIA	FUNGOVANIE A SIGNALIZÁCIA
 POWER	ZAP.: Aktivuje funkciu ovládacieho panela a ovládača. Zapína efekt plameňa. VYP: Blokuje funkciu ovládacieho panela a ovládača. Vypína efekt plameňa.	<ol style="list-style-type: none"> 1. Stlačte raz: Kontrolka bude svietiť. Zapojenie napájania. Všetky funkcie sú aktívne. 2. Stlačte opäť: Efekt plameňa je vypnutý. Zariadenie je v režime čakania. Všetky funkcie sú neaktívne.
 TIMER	Programátorské tlačidlo: Regulácia nastavenia programátora za účelom vypnutia krbu o určenej hodine. Rozsah nastavení od 0,5 do 8 hodín.	<ol style="list-style-type: none"> 1. Stlačte raz: Kontrolka sa zasvieti. Programátor je nastavený na 0,5 hodiny. 2. Stlačte opäť až dokiaľ nezískate požadované nastavenie. Kontrolka ukazuje nastavenie.
 FLAME	Tlačidlo PLAMEŇA: nastavenie jasu plameňa. POZOR: Efekt plameňa zostáva zapnutý do okamihu stlačenia tlačidla napájania. Efekt plameňa musí byť zapojený za účelom spustenia vykurovacieho telesa.	<ol style="list-style-type: none"> 1. Stlačte raz: Zmena jasu efektu plameňa. 2. Stlačte opäť dokiaľ nedosiahnete požadované nastavenie.
 COLOR	Tlačidlo FARBY: Zmena farby pre efekt plameňa. POZOR: Efekt farby zostáva aktívny do okamihu stlačenia tlačidla napájania. Efekt farby plameňa musí byť zapojený za účelom spustenia vykurovacieho telesa.	<ol style="list-style-type: none"> 1. Stlačte raz: Zmena farby plameňa. 2. Stlačte opäť dokiaľ nedosiahnete požadované nastavenie.
 HEATER	Tlačidlo VYKUROVACIEHO TELESA: Zapína a vypína vykurovacie teleso. POZOR: Vykurovacie teleso bude fungovať len vtedy, keď je aktívny efekt plameňa. Pokiaľ je efekt plameňa vypnutý, vykurovacie teleso sa nezapína. POZOR: Za účelom prehriatia, ventilátor vykurovacieho telesa bude vháňať chladný vzduch po dobu 10 sekúnd pred zapnutím vykurovacieho telesa a po jeho vypnutí.	<ol style="list-style-type: none"> 1. Stlačte raz. Kontrolka sa zasvieti. Ventilátor vháňa chladný vzduch po dobu 10 sekúnd. Nízka úroveň vykurovacieho telesa sa zapína a vháňa teplý vzduch. 2. Stlačte opäť. Kontrolka svieti. Vysoká úroveň vykurovacieho telesa sa zapína a vháňa teplý vzduch. 3. Stlačte opäť. Vykurovacie teleso sa vypne. Ventilátor vháňa chladný vzduch po dobu 10 sekúnd, pričom umožňuje vychladenie vykurovacieho telesa, následne sa vypne.
	Tlačidlo podsvietenia polien: Mení sa farba v dolnej časti efektu. POZNÁMKA: Farebný efekt zostane aktívny, kým nestlačíte tlačidlo napájania.	<ol style="list-style-type: none"> 1. Stlačte raz. Zmení sa farba podsvietenia. 2. Opakujte stlačenie až kým nedosiahnete požadované nastavenie. K dispozícii je 10 farieb. 3. Automatický cyklus: Keď stlačíte tlačidlo 11. krát, farba podsvietenia sa bude automaticky meniť


Obsluha ovládača










TLAČÍTKO	FUNKCE	FUNGOVÁNÍ A SIGNALIZACE
 POWER	ZAP.: Aktivuje funkcie ovládacieho panela a ovládača. Zapína efekt plameňa. VYP.: Blokuje funkcie ovládacieho panela a ovládača. Vypína efekt plameňa.	<ol style="list-style-type: none"> 1. Stlačte raz: Kontrolka sa zasvieti. Zapojenie napájania. Všetky funkcie sú aktívne. 2. Stlačte opäť: Efekt plameňa je vypnutý. Zariadenie je v režime čakania. Všetky funkcie sú neaktívne.
	Tlačidlo FARBY: Zmena farby pre efekt plameňa. POZOR: Efekt farby zostáva aktívny do okamihu stlačenia tlačidla napájania. Efekt farby plameňa musí byť zapnutý za účelom spustenia vykurovacieho telesa.	<ol style="list-style-type: none"> 1. Stlačte raz: Zmena farby plameňa. 2. Stlačte opäť dokiaľ nezískate požadované nastavenie.
	Tlačidlo PLAMEŇA: nastavenie jasú plameňa. POZOR: Efekt plameňa zostáva zapnutý do okamihu stlačenia tlačidla napájania. Efekt plameňa musí byť zapojený za účelom spustenia vykurovacieho telesa.	<ol style="list-style-type: none"> 1. Stlačte raz: Zmena jasú efektu plameňa. 2. Stlačte opäť dokiaľ nezískate požadované nastavenie.
 HEATER	Tlačidlo VYKUROVACIEHO TELESA: Zapína a vypína vykurovacie teleso. POZOR: Vykurovacie teleso bude fungovať len vtedy, keď je aktívny efekt plameňa. Pokiaľ je efekt plameňa vypnutý, vykurovacie teleso sa nezapne. POZOR: Za účelom vyhnutiu sa prehriatiu, ventilátor vykurovacieho telesa bude vháňať chladný vzduch po dobu 8-10 sekúnd pred zapnutím vykurovacieho telesa a po jeho vypnutí.	<ol style="list-style-type: none"> 1. Stlačte raz. Kontrolka sa zasvieti. Ventilátor vháňa chladný vzduch po dobu 10 sekúnd. Nízka úroveň vykurovacieho telesa sa zapína a vháňa teplý vzduch. 2. Stlačte opäť. Kontrolka svieti. Vysoká úroveň vykurovacieho telesa sa zapína a vháňa teplý vzduch. 3. Stlačte opäť. Vykurovacie teleso sa vypne. Ventilátor vháňa chladný vzduch po dobu 10 sekúnd, pričom umožňuje vychladenie vykurovacieho telesa, následne sa vypne.

PROGRAMÁTORSKÉ NASTAVENIE NA OVLÁDAČI

 Timer: Znárodňuje aktuálny deň, čas a týždeň. Stlačte za účelom zavedenia alebo potvrdenia nastavenia.		
 Nastavenie: Stlačte za účelom prechodu na ďalší krok (používajte tlačidlo Timer). Stlačte za účelom potvrdenia týždenného programu.		
 Spät': Stlačte za účelom vymazania nastavenia. Stlačte za účelom návratu do predchádzajúceho kroku (používajte s tlačidlom Nastavenie).		
Hore/Dole (používajte s tlačidlom Nastavenie).		
Digitálny displej		
Dni týždňa  Mon, Tues, Wed, Thurs, Fri, Sat, Sun	Sun Mon Tue Wed Thu Fri Sat	Pozor: Funkcie je možné nastavovať len vtedy, keď blikajú vhodné písmená alebo číslice. Pozor: Kalibrujte hodiny na aktuálny čas pred týždennými nastaveniami.
Znárodňovanie času 		
Aktuálny čas / Timer od 00: 00 do 24		

 TEMP	Tlačidlo TEPLoty: Zapína a vypína vykurovacie teleso. POZOR: Stlačte a podržte tlačidlo po dobu 5 sekúnd, stupnica sa zmení z °C na °F. Rovnako tak z °F na °C.	<ol style="list-style-type: none"> Stlačte raz: Kontrolka sa zasvieti. Teplota sa zmení na 18 °C Stlačte opät': dokiaľ nezískate požadované nastavenie. Displej znárodňuje nastavenie z tabuľky: 																																																							
	<table border="1"> <thead> <tr> <th>NO</th> <th>0</th> <th>1</th> <th>2</th> <th>3</th> <th>4</th> <th>5</th> <th>6</th> <th>7</th> <th>8</th> <th>9</th> <th>10</th> <th>11</th> <th>12</th> </tr> </thead> <tbody> <tr> <td>°C</td> <td>18</td> <td>19</td> <td>20</td> <td>21</td> <td>22</td> <td>23</td> <td>24</td> <td>25</td> <td>26</td> <td>27</td> <td>28</td> <td>29</td> <td>30</td> </tr> <tr> <td>°F</td> <td>64</td> <td>66</td> <td>68</td> <td>70</td> <td>72</td> <td>74</td> <td>76</td> <td>78</td> <td>80</td> <td>82</td> <td>84</td> <td>86</td> <td>88</td> </tr> <tr> <td></td> <td>65</td> <td>67</td> <td>69</td> <td>71</td> <td>73</td> <td>75</td> <td>77</td> <td>79</td> <td>81</td> <td>83</td> <td>85</td> <td>87</td> <td></td> </tr> </tbody> </table>	NO	0	1	2	3	4	5	6	7	8	9	10	11	12	°C	18	19	20	21	22	23	24	25	26	27	28	29	30	°F	64	66	68	70	72	74	76	78	80	82	84	86	88		65	67	69	71	73	75	77	79	81	83	85	87	
NO	0	1	2	3	4	5	6	7	8	9	10	11	12																																												
°C	18	19	20	21	22	23	24	25	26	27	28	29	30																																												
°F	64	66	68	70	72	74	76	78	80	82	84	86	88																																												
	65	67	69	71	73	75	77	79	81	83	85	87																																													

1 Nastavte aktuálny deň a čas





1. Stlačte  raz. Keď "MON" (Pondelok) začne blikať, použite  pre voľbu aktuálneho dňa
2. Stlačte  . Keď hodinové číslice začnú blikať, použite  za účelom opätovného nastavenia hodín.
3. Stlačte  Keď minútové číslice začnú blikať, použite  za účelom opätovného nastavenia minút.
4. Stlačte  Aktuálny čas bol nastavený.

2 Nastavte čas zapínania/vypínania a teplotu v týždennom programe

1. Stlačte  . Keď začne blikať "MON" (pondelok), stlačte  3-krát. Keď "ON" začne blikať použite  za účelom voľby požadovanej hodiny a minúty **ZAPNUTIE** vykurovania  v ľubovoľnom okamihu za účelom odstránenia číslice a vypnutie timeru.









pozor:

Timer je možné nastaviť len po 30-minútových krokoch (napr. 00:00 - 00:30; 00:30 - 01:00, atď.)

2. Stlačte  Keď začne blikať "OFF", použite  na voľbu zvolenej hodiny a minúty **VYPNUTIE** vykurovania. v ľubovoľnom okamihu za účelom odstránenia číslice a vypnutia timeru.
3. Stlačte  opäť. Keď "18" prestane blikať, použite  na zvolenie požadovanej teploty pre pondelok.

pozor:

Pokiaľ bola teplota skôr nastavená, tieto číslice sa budú znázorňovať namiesto "18".

4. Stlačte  opäť. Keď sa znázorní "TUES" (utorok) a "ON" začne blikať, použite  za účelom voľby požadovanej hodiny a minúty zapnutia vykurovania v utorok.
5. Stlačte  opäť. Keď začne blikať "OFF", použite  pre voľbu požadovanej hodiny a minúty vypnutia vykurovania v utorok.
6. Stlačte  opäť. Keď "18" začne blikať  použite pre voľbu požadovanej teploty pre utorok.
7. Zopakujte kroky od 1 do 6, za účelom nastavenia času zapnutia/vypnutia a teploty pre stredu (WED), štvrtok (THURS), piatok (FRI), sobotu (SAT) a nedeľu (SUN).
8. Stlačte  alebo  za účelom ukončenia nastavovania a uistite sa, že ovládač je nasmerovaný na prijímač umiestnený v strede zariadenia. Zariadenie bude vysielat' jeden zvukový signál za účelom potvrdenia, že programovanie bolo úspešne ukončené.

Upozornenie o otvorenom okne

Pokiaľ teplota v miestnosti klesne o 10 stupňov v priebehu 3 minút, zariadenie bude predpokladať, že v blízkosti sa nachádza otvorené okno. Za účelom úspory energie sa krb automaticky prepne z režimu Vysoký na Nízky alebo pokiaľ sa vykurovacie teleso nachádza v režime Nízky, úplne sa vypne.

Po prepnutí z režimu Vysoký na Nízky zariadenie bude vysielat' 3 zvukové signály a digitálny displej bude blikať "88" 3-krát pred znázornením existujúceho stavu zohrievania.

Po prepnutí z režimu Nízky na Off zariadenie bude vysielat' 3 zvukové signály a digitálny displej bude stále blikať "88".

Za účelom resetu funkcie zohrievania, viď kapitolu "Obsluha ovládača".

POZOR

Počas prvého spustenia vykurovacieho telesa sa môže objaviť jemný zápach. Je to normálny jav a nemal by sa opakovať, iba ak vykurovacie teleso nebude používané dlhšiu dobu.

POZOR

Za účelom zlepšenia činnosti, **nasmerujte** ovládač na prednú časť krbu. **NEstláčajte tlačidlá príliš rýchle**. Počkajte chvíľku než zariadenie zareaguje na jednotlivé pokyny.

Ovládanie obmedzenia teploty

Ohrievacie teleso je vybavené ovládaním obmedzenia teploty. V prípade dosiahnutia nebezpečne vysokej teploty, sa vykurovacie teleso vypne. Za účelom navrátenia práce:

1. Vytiahnite napájací kábel zo zásuvky.
2. Prepnite prepínač ON/OFF na OVLÁDACOM PANELI na OFF. **Počkajte 5 minút.**
3. Skontrolujte či ventilačné mriežky krbu nie sú zakryté alebo upchaté prachom. V prípade upchania, použite vysávač za účelom ich vyčistenia.
4. S prepínačom nastaveným do polohy OFF, opätovne zapojte napájací kábel do zásuvky.
5. Pokiaľ problém nezmizne, zverte kontrolu zásuvky a kabeláže špecialistovi.

Informácie o batériách ovládača

- V tomto ovládači sú použité dve batérie typu AAA (nepriložené).



NIKDY nevhazujte batérie do **ohňa**. Konanie nezhodné s touto požiadavkou **môže hroziť výbuchom**. Použité batérie je potrebné vhadzovať do špeciálne označených nádob a odovzdať ich v Stredisku Triedeného Zberu Komunálneho Odpadu.

Čistenie a údržba

Čistenie



Pred zahájením čistenia, údržby alebo prenášania krbu, je potrebné **VŽDY vypínať** vykurovacie teleso a **vypnúť napájací kábel zo zásuvky**. Nedodržanie tejto požiadavky môže mať za následok **vznik ohňa, zasiahnutie elektrickým prúdom alebo poranenie tela**.



NIKDY zariadenie neponárajte vo vode ani nestriekajte na neho vodu. Také konanie môže mať za následok **vznik ohňa, zasiahnutie elektrickým prúdom alebo poranenie tela**.

Kovové diely:

- Leštíte suchou handričkou, jemne navlhčenou v čistiacom prípravku na báze citrusových olejčkov.
- **NEpoužívajte** prostriedky na leštenie mosadze alebo domáce čistiace prostriedky, pretože tieto výrobky poškodzujú kovové vykonanie.

Sklenené diely

- Používajte vysokokvalitný prostriedok na umývanie sklenených plôch, rozprašovaný na handričku alebo utierku. Dôkladne vysušte papierovou utierkou alebo nestrapkajúcou handričkou.
- **NIKDY** nepoužívajte brúsne čistiace prostriedky, aerosóly alebo iné výrobky, ktoré môžu poškriabať povrch.

Ventilačné mriežky:

- Odstráňte prach a nečistoty z vykurovacieho telesa a povrchu mriežok prostredníctvom vysávača alebo handričky na prach.

Plastové diely:

- Jemne utrite handričkou, jemne navlhčenou v jemnom roztoku prostriedku na umývanie riadu a teplej vody.
- **NIKDY** nepoužívajte brúsne čistiace prostriedky, aerosóly alebo iné výrobky, ktoré môžu poškriabať povrch.

Údržba



Riziko zasiahnutia prúdom! NEOTVÁRAJTE žiadne panely! Zariadenie neobsahuje diely určené na samostatnú opravu!



Pred zahájením čistenia, údržby alebo prenášania krbu, **VŽDY vypínajte** vykurovacie teleso a **vytiahnite napájací kábel zo zásuvky**. Nedodržanie tejto požiadavky môže mať za následok **vznik ohňa, zasiahnutie elektrickým prúdom alebo poranenie tela**.

Elektrické a pohyblivé diely:

- Motory ventilátorov boli výrobné namazané a nevyžadujú neskoršie namazanie.
- Elektrické diely sú integrované v zariadení a nesmú byť samostatne opravované.

Prechovávanie:

- Nepoužívané zariadenie je potrebné prechovávať na čistom, suchom mieste.



UPOZORNENIE! Vnútorne elektrické diely **NIE SÚ URČENÉ** na samostatnú opravu užívateľom.

UPOZORNENIE

PRED AKOUKOL'VEK SERVISNOU ČINNOSŤOU, ZARIADENIE ÚPLNE VYPNITE Z NAPÁJANIA A POČKAJTE ABY VYCHLADLO. ELEKTRICKÉ ZARIADENIA MÔŽU BYŤ SERVISOVANÉ A OPRAVOVANÉ VÝLUČNE KVALIFIKOVANÝM SERVISNÝM PERSONÁLOM

Problém	Možná príčina	Riešenie
1. Krb sa vypína a nedá sa opätovne zapnúť.	1. Krb sa prehrial a ochrana spôsobila zaúčinkovanie termického vypínača alebo bol spustený vypínač napájacieho obvodu.	1. Resetujte ochranu prepnutím vypínača napájania do OFF a počkajte 10 minút, a následne jej opätovne zapnite alebo stlačte samočinný vypínač napájacieho obvodu.
2. Plameň sa nepohybuje.	1. Povolené káble. 2. Poškodený motorček mechanizmu plameňa. 3. Horák nie je na svojom mieste.	1. Skontrolujte kabeláž z dôvodu povolených spojov. 2. Kontaktujte autorizovaného servisného technika za účelom výmeny motorčeka. 3. Horák sa mohol presunúť počas prepravy /prenášania. Opravy vyžadujú demontáž predného skla, otočenie krbu hore dnom, odstránenie sady skrutiek pripevňujúcich dolný panel a umiestnenie horáka späť na svoje miesto.
3. Plameň je neviditeľný.	1. Povolené káble.	1. Vytiahnite kábel z napájacieho zdroja z dôvodu povolených spojov. Opravte alebo vymeňte v prípade potreby. 2. Stlačte tlačidlo plameňa za účelom zvýšenia sily efektu.
4. Sada polien sa nežhaví.	1. Povolené káble. 2. Funkcia žhavenia je vypnutá.	1. Vytiahnite kábel z napájacieho zdroja z dôvodu povolených spojov. Opravte alebo vymeňte v prípade potreby. 2. Stlačte tlačidlo žhavenia za účelom zvýšenia sily efektu.
5. Ovládač nefunguje.	1. Vybité batérie. 2. Nesprávne nasmerovaný vysielač signálu. 3. Poškodený ovládač a/alebo snímač.	1. Vymeňte batérie v ovládači. 2. Vysielač nasmerujte na snímač umiestnený priamo za sklenným panelom v strede zariadenia nad polenami. 3. Vymeňte ovládač a/alebo snímač.
6. Krb sa nespúšťa napriek prepnutiu vypínača do polohy ON.	1. Krb nebol zapojený do elektrickej zásuvky. 2. Porucha ovládania. 3. Pritiahnutie poistky.	1. Skontrolujte zástrčku. 2. Kontaktujte autorizovaný servis. 3. Opätovne zapnite automatický vypínač.

7. Po zapnutí vykurovacie teleso nesála teplo.	1. Zaúčinkovanie termického vypínača.	1. Vypnite zariadenie a vytiahnite ho z napájania po dobu 10 minút. Zapojte opäť zástrčku a zapnite zariadenie. Pokiaľ zástrčka nie je dostupná, postupujte zhodne s návodmi týkajúcimi sa pritiahnutej rozdielovo-prúdovej ochrany.
	2. Povolené káble.	2. Vytiahnite kábel z napájacieho zdroja a skontrolujte z dôvodu povolených spojov. Opravte alebo vymeňte v prípade potreby.
	3. Porucha vykurovacieho telesa.	3. Vymeňte vykurovacie teleso.

POZOR: Za účelom demontáže skleneného panela, umiestnite dve skrutky na oboch stranách prednej strany zariadenia (na ľavej a pravej strane). Po ich odskrutkovaní, vysuňte sklo hore a vyberte z krbu. Po odstránení dolného panela bude viditeľný jeden motorček plameňa na pravej strane, kde musí byť umiestnený horák spolu s gumovým tesnením.

Je potrebné pamätať na vytiahnutia zariadenia z napájania pred prístupom k akýmkoľvek prácam. Sklo, ako aj celé zariadenie je potrebné vždy klásť na uteráku alebo na inom materiáli, ktorý nepoškodí diely/rám.

Táto celá procedúra by nemala trvať dlhšie ako 20-30 minút.
